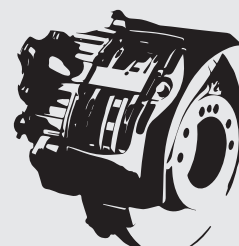


2018 V2
Brake Caliper
Catalogue



TTT - auto
BRAKE CALIPER SYSTEMS

ttt-caliper.com



TTT - auto
BRAKE CALIPER SYSTEMS



TTT-auto has started its activities in the field of brake calipers in the automotive sector.

With our expert team we offer high quality and service beyond your expectations and have gained an important position in the market with our wide range of products within a short period.

With attribution great importance to the customers' feedbacks and evaluations and solution oriented approach, TTT-auto prioritises customer satisfaction at each level due to a unique flexible structure that responds to your demands.

Our vision is to be the leading company for both manufacturing and exporting by acting in

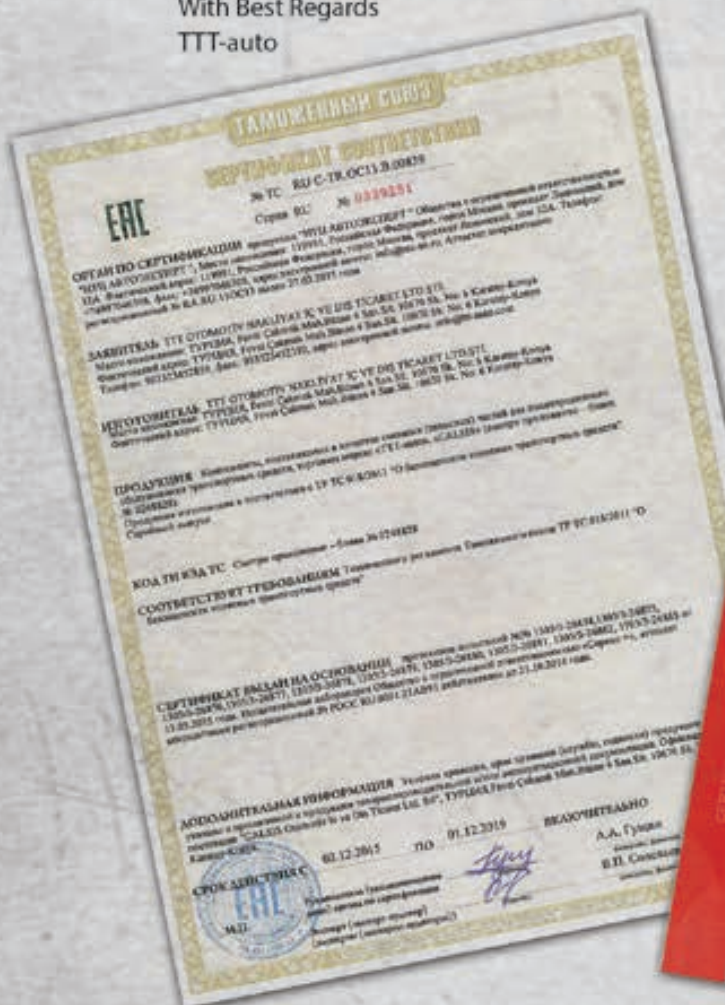
accordance with our innovative philosophy combine with our effective sales and marketing networks in the international market. We export our products to more than 64 countries in four continents including Germany, Spain, Italy, Poland, Russia, USA, Ukraine, Chile, S.Africa, Egypt...

We guarantee high quality, reliability and on time service.

For **Total Trust and Trade**

With Best Regards

TTT-auto





RESEARCH & DEVELOPMENT

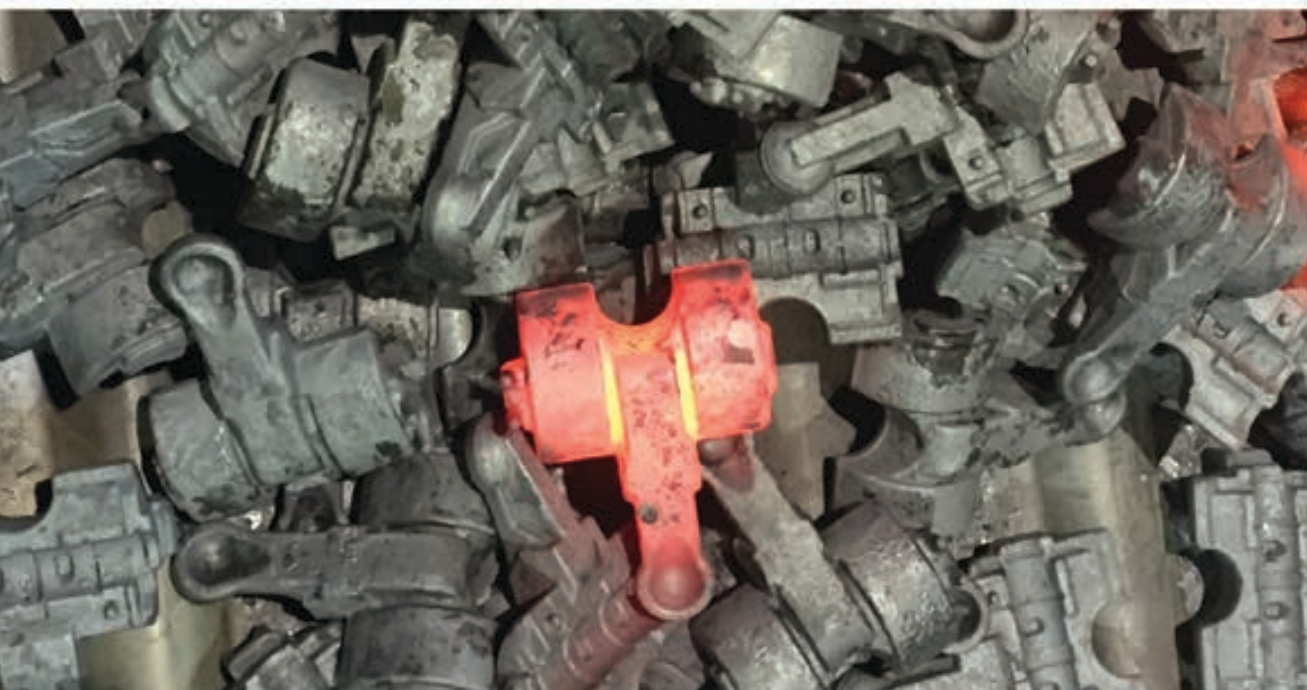


TTT-auto PRODUCTION FACILITY





TTT-forging

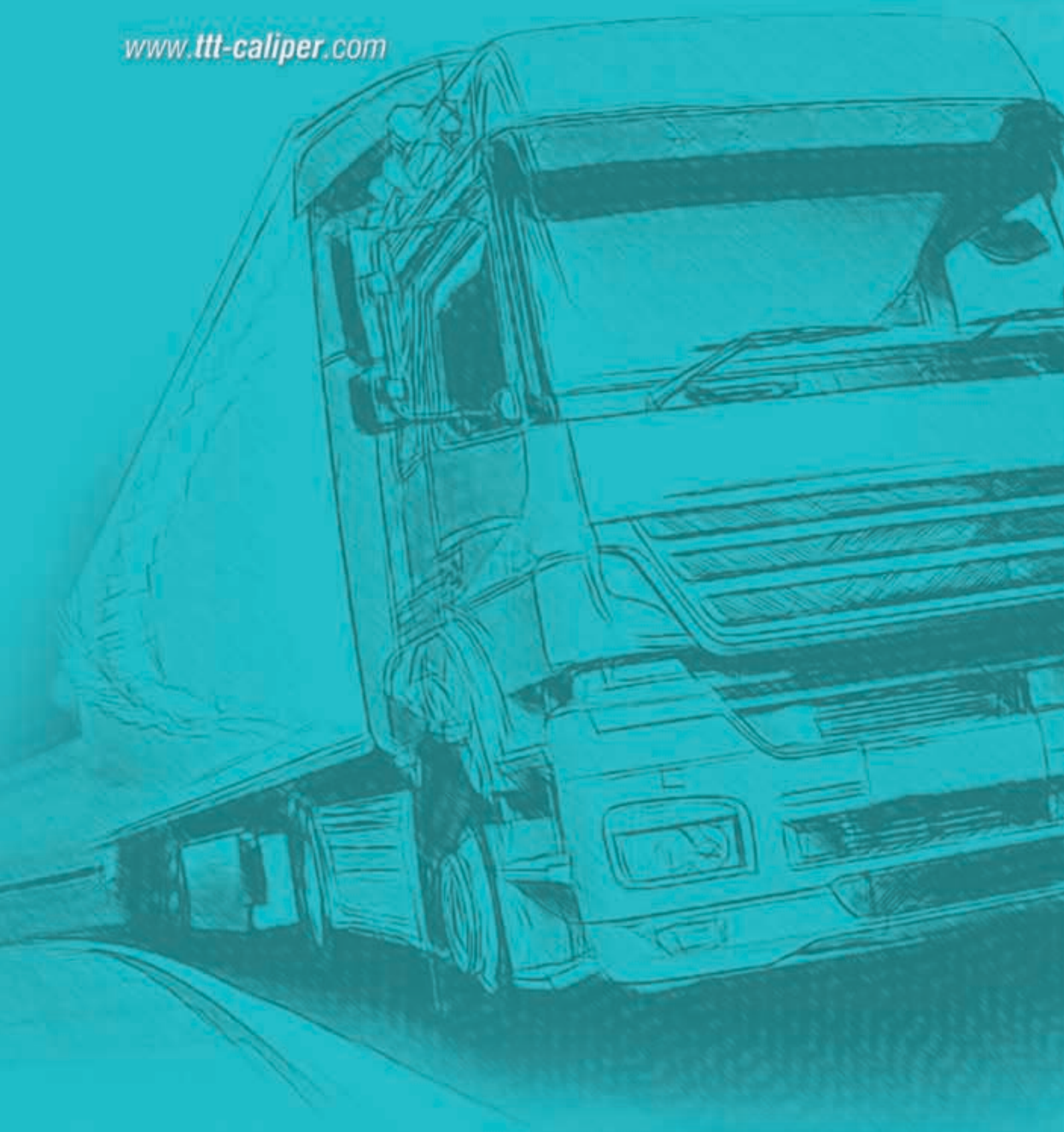




TTT-FORGING
PRODUCTION
FACILITY



www.ttt-caliper.com



for **knorr** caliper



13433 Caliper Pin Repair Kit II369100062

SB5...

MB ATEGO 712 >> 1023
MAN TGL 12.160
GIGANT Axle 98 >> 00



TTT No	Description	Pcs.
14519	Caliper Pin - Ø 36 / 145 mm	x 1
14520	Caliper Pin - Ø 34 / 80 mm	x 1
14526	Pin Bolt - M16 x 1.5 / 150 mm	x 1
14527	Pin Bolt - M16 x 1.5 / 85 mm	x 1
14521	Bush - Ø 36 x 40 / 82 mm	x 1
14522	Rubber Bush - Ø 34 x 40 / 50 mm	x 1
14683	Pin Boot - (Red)	x 1
14684	Ring - (White)	x 1
14524	Bellow Cap - (Black)	x 1
14525	Clamp	x 1
15707	Grease (White) - 5 g	x 1
15718	Grease (Green) - 8 g	x 1

14530 Caliper Short Pin Repair Kit II368470064

SB5...



TTT No	Description	Pcs.
14520	Caliper Pin - Ø 34 / 80 mm	x 1
14527	Pin Bolt - M16 x 1.5 / 85 mm	x 1
14522	Rubber Bush - Ø 34 x 40 / 50 mm	x 1
15718	Grease (Green) - 8 g	x 1

14531 Caliper Short Pin Repair Kit

SB5...



TTT No	Description	Pcs.
14520	Caliper Pin - Ø 34 / 80 mm	x 1
14522	Rubber Bush - Ø 34 x 40 / 50 mm	x 1
15718	Grease (Green) - 8 g	x 1

14705 Caliper Long Pin Repair Kit K000935

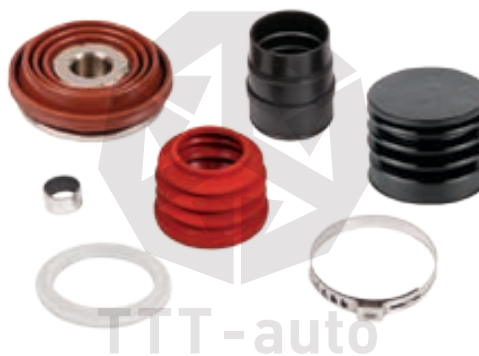
SB5...



TTT No	Description	Pcs.
14519	Caliper Pin - Ø 36 / 145 mm	x 1
14526	Pin Bolt - M16 x 1.5 / 150 mm	x 1
14521	Bush - Ø 36 x 40 / 82 mm	x 1
14683	Pin Boot - (Red)	x 1
14684	Ring - (White)	x 1
14524	Bellow Cap - (Black)	x 1
14525	Clamp	x 1
15707	Grease (White) - 5 g	x 1

16472 Caliper Pin & Boot Set

SB5...



TTT No	Description	Pcs.
14507	Thrust Part With Bellow - (74 mm)	x 1
14509	Bush - Ø 16 x 18 / 10 mm	x 1
14683	Pin Boot - (Red)	x 1
14684	Ring - (White)	x 1
14524	Bellow Cap - (Black)	x 1
14525	Clamp	x 1
14522	Rubber Bush - Ø 34 x 40 / 50 mm	x 1
15707	Grease (White) - 5 g	x 1
15718	Grease (Green) - 8 g	x 1

15515 Caliper Pin Boot & Cap Set **SB5...**
II350470061



TTT No	Description	Pcs.
14683	Pin Boot - (Red)	x 1
14684	Ring - (White)	x 1
14524	Bellow Cap - (Black)	x 1
14525	Clamp	x 1

15006 Caliper Tappet & Boot Set **SB5...**
II370760065



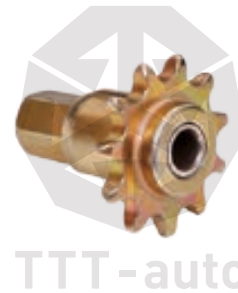
MB ATEGO 712 >> 1023
MAN TGL 12.160
GIGANT Axle 98 >> 00

TTT No	Description	Pcs.
14507	Thrust Part With Bellow - (74 mm)	x 1
14508	Shaft Housing Boot	x 1
14509	Bush - Ø 16 x 18 / 10 mm	x 1
15707	Grease (White) - 5 g	x 1

13490 Adjusting Mechanism Shaft **SB5...**



15044 Pinion Shaft **SB5...**



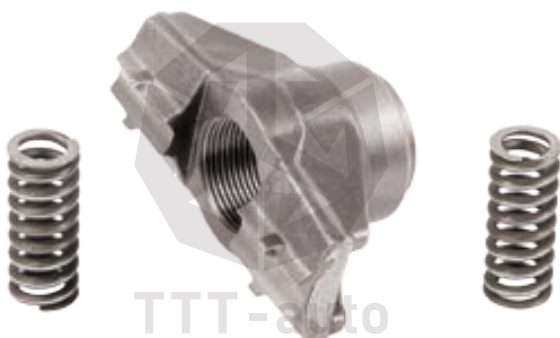
14925 Caliper Calibration Shaft Chain **SB5...**
(12 Link)



13507 Caliper Calibration Bolt **SB5...**
(3 Thread)



15040 Shaft Housing Assembly **SB5...**



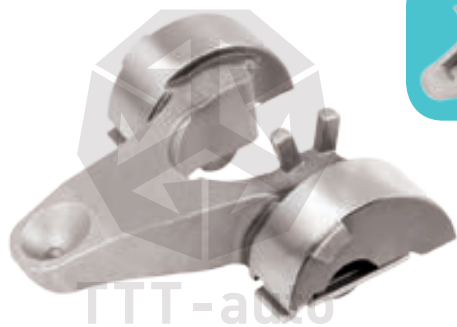
14701 Needle Bearing Set **SB5...**



TTT No	Description	Pcs.
14649	Needle Bearing	x 2

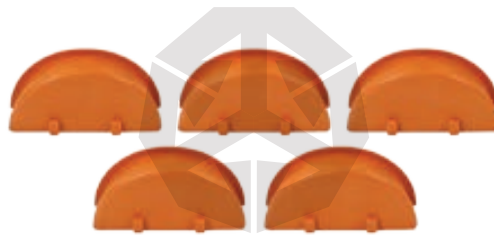
17390 Caliper Lever

SB5...



15887 Caliper Support Seal Set

SB5...



TTT - auto

TTT No	Description	Pcs.
15817	Caliper Support Seal	x 5

Plastic Cover

SB5...



TTT - auto

15949 Without Sensor

15996 With 2 Wires Sensor

15982 With 3 Wires Sensor

18993 With 3 Wires Sensor - MAN Type

MB ATEGO 712 >> 1023
MAN TGL 12.160
GIGANT Axle 98 >> 00

MB ATEGO 712 >> 1023

MB ATEGO 712 >> 1023

MAN TGL 12.160

16836 Caliper Plastic Cover Gasket

SB5...



TTT - auto

17895 Caliper Pin Rubber Cap Set

SB5...



TTT - auto

TTT No	Description	Pcs.
17664	Caliper Pin Rubber Cap	x 5

17989 Caliper Pin Rubber Cap Set

SB5...



TTT - auto

TTT No	Description	Pcs.
17950	Caliper Pin Rubber Cap	x 5

15707 Grease (White) - For Brass Bush



19000 Caliper Complete Repair Kit - (Without Lever)

SB5...

MB ATEGO 712 >> 1023
MAN TGL 12.160
GIGANT Axle 98 >> 00



TTT No	Description	Pcs.			
13433	Caliper Pin Repair Kit	x 1	14701	Needle Bearing Set	x 1
15006	Caliper Tappet & Boot Set	x 1	13490	Adjusting Mechanism Shaft	x 1
14533	Caliper Cap Set	x 1	15044	Pinion Shaft	x 1
13507	Caliper Calibration Bolt - (3 Thread)	x 1	14925	Caliper Calibration Shaft Chain (12 Link)	x 1
15040	Shaft Housing Assembly	x 1	15707	Grease (White) - 5 g	x 1

15970 Caliper Complete Repair Kit

SB5...

MB ATEGO 712 >> 1023
MAN TGL 12.160
GIGANT Axle 98 >> 00



TTT No	Description	Pcs.			
13433	Caliper Pin Repair Kit	x 1	14701	Needle Bearing Set	x 1
15006	Caliper Tappet & Boot Set	x 1	13490	Adjusting Mechanism Shaft	x 1
14533	Caliper Cap Set	x 1	15044	Pinion Shaft	x 1
13507	Caliper Calibration Bolt - (3 Thread)	x 1	14925	Caliper Calibration Shaft Chain (12 Link)	x 1
15040	Shaft Housing Assembly	x 1	15707	Grease (White) - 5 g	x 1
17390	Caliper Lever	x 1	15718	Grease (Green) - 8 g	x 1

13501 Caliper Pin Repair Kit K001928

SN5...

MB ATEGO 712 >> 1023
MAN TGL 12.180



TTT No	Description	Pcs.
14544	Caliper Pin - Ø 30 / 99 mm	x 1
14545	Caliper Pin - Ø 30 / 72 mm	x 1
14546	Pin Bolt - M16 x 1.5 / 105 mm	x 1
14547	Pin Bolt - M16 x 1.5 / 75 mm	x 1
14561	Pin Boot - (Red)	x 2
14562	Ring - (Plastic)	x 2
14548	Pin Bush - Ø 30 x 34 / 65 mm	x 1
14628	Pin Bush - Ø 30 x 34 / 20 mm	x 1
14543	Pin Cap - Ø 34 / 14 mm	x 2
15707	Grease (White) - 5 g	x 1

13498 Caliper Tappet & Boot Set K001929 K097826K50

SN5...

MB ATEGO 712 >> 1023
MAN TGL 12.180



TTT No	Description	Pcs.
14542	Thrust Part With Bellow	x 1
14518	Shaft Housing Boot	x 1
14509	Bush - Ø 16 x 18 / 10 mm	x 1
15707	Grease (White) - 5 g	x 1

13490 Adjusting Mechanism Shaft

SN5...



13491 Pinion Shaft

SN5...



13495 Caliper Calibration Shaft Chain (14 Link)

SN5...



13507 Caliper Calibration Bolt (3 Thread)

SN5...



13489 Shaft Housing Assembly

SN5...



14794 Needle Bearing Set

SN5...



TTT No	Description	Pcs.
13494	Needle Bearing	x 2

13493 Caliper Lever

SN5...



15870 Caliper Cover

SN5...



Plastic Cover

SN5...



15951 Without Sensor

MB ATEGO 712 >> 1023
MAN TGL 12.180

15997 With 2 Wires Sensor

MB ATEGO 712 >> 1023

15988 With 3 Wires Sensor

MB ATEGO 712 >> 1023

18994 With 3 Wires Sensor - MAN Type

MAN TGL 12.180

16878 Caliper Plastic Cover Gasket

SN5...



14670 Adjusting Mechanism Cap Set
K000029

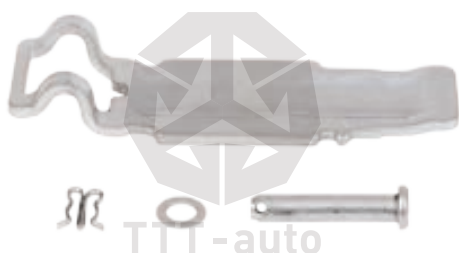
SN5...



TTT No	Description	Pcs.
14669	Adjusting Mechanism Cap - Ø 38 mm	x 10
13509	Adjusting Mechanism Adapter	x 10

16676 Brake Pad Retainer Repair Kit
K000133

SN5...



16861 Caliper Cover Seal Set

SN5...



TTT No	Description	Pcs.
15912	Cover Seal	x 5

19001 Caliper Complete Repair Kit - (Without Lever)

SN5...

MB ATEGO 712 >> 1023
MAN TGL 12.180



TTT No	Description	Pcs.	
13501	Caliper Pin Repair Kit	x	1
13498	Caliper Tappet & Boot Set	x	1
15870	Caliper Cover	x	1
13507	Caliper Calibration Bolt - (3 Thread)	x	1
13489	Shaft Housing Assembly	x	1
14794	Needle Bearing Set	x	1
13490	Adjusting Mechanism Shaft	x	1
13491	Pinion Shaft	x	1
13495	Caliper Calibration Shaft Chain (14 Link)	x	1
15707	Grease (White) - 5 g	x	1

15990 Caliper Complete Repair Kit

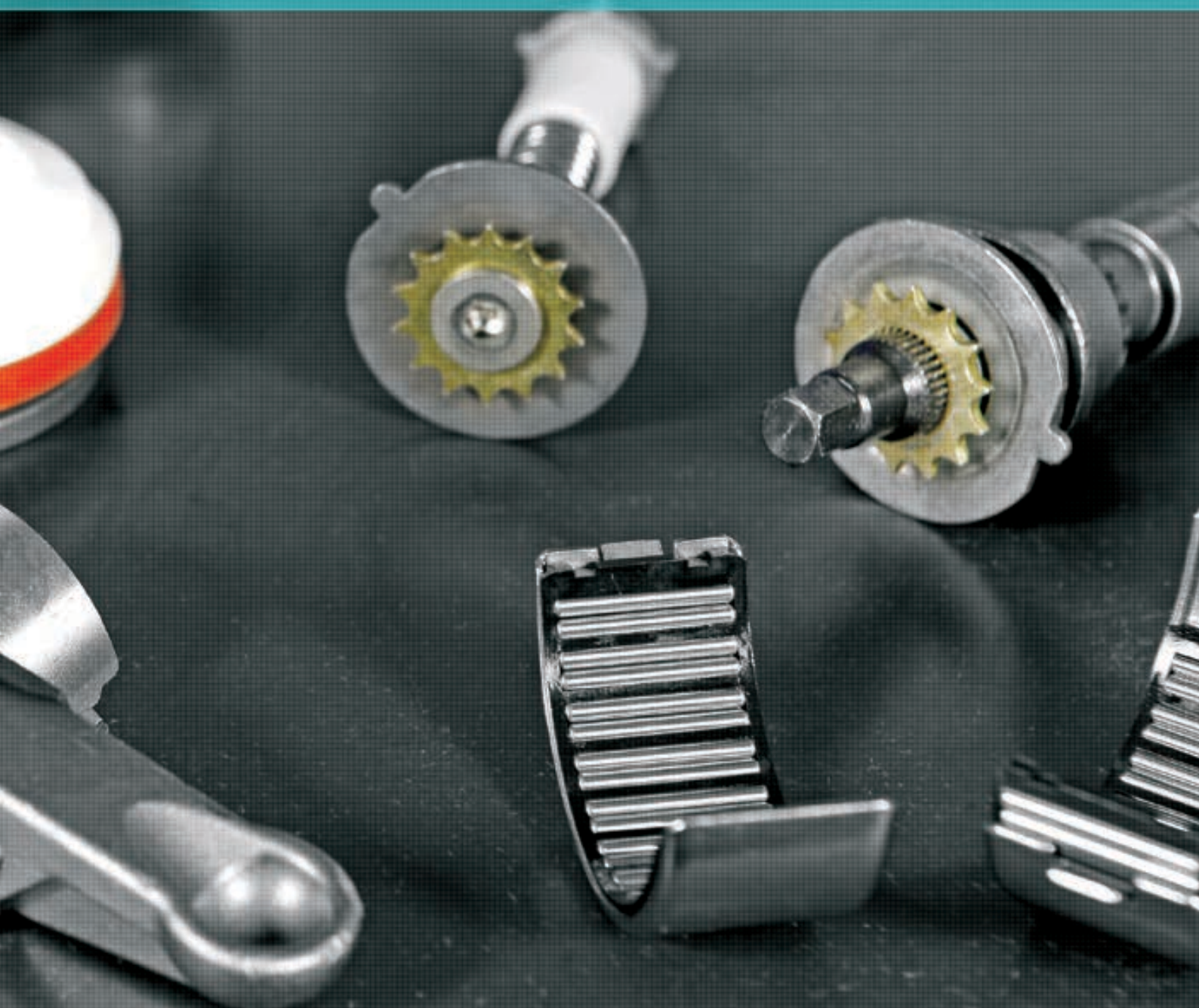
SN5...

MB ATEGO 712 >> 1023
MAN TGL 12.180



TTT No	Description	Pcs.	
13501	Caliper Pin Repair Kit	x	1
13498	Caliper Tappet & Boot Set	x	1
15870	Caliper Cover	x	1
13507	Caliper Calibration Bolt - (3 Thread)	x	1
13489	Shaft Housing Assembly	x	1
13493	Caliper Lever	x	1
14794	Needle Bearing Set	x	1
13490	Adjusting Mechanism Shaft	x	1
13491	Pinion Shaft	x	1
13495	Caliper Calibration Shaft Chain (14 Link)	x	1
15707	Grease (White) - 5 g	x	1
15718	Grease (Green) - 8 g	x	1

SB6... / SB7...



16471 Caliper Pin Repair Kit II328090062

SB6...
SB7...

MB ACTROS/AXOR/ATEGO S
MAN M 2000
DAF CF65 /75 /85
DAF LF55 / XF95
SCANIA 124
MB BUS CITARO/CITO
MB BUS TRAVEGO 99 >>
MB BUS BM 397
EVOBUS S3/S316/S328
MAN BUS
NEOPLAN
DAF BUS SB120
SCANIA BUS IRIZAR
BOVA BUS
MB Axle 22.5"
RABA Axle 22.5"
BPW Axle 19.5"
SAF Axle 19.5"/22.5"
SMB Axle 19.5"/22.5"



TTT No	Description	Pcs.
14519	Caliper Pin - Ø 36 / 145 mm	x 1
14520	Caliper Pin - Ø 34 / 80 mm	x 1
14526	Pin Bolt - M16 x 1.5 / 150 mm	x 1
14535	Pin Bolt - M16 x 1.5 / 80 mm	x 1
14521	Bush - Ø 36 x 40 / 82 mm	x 1
14522	Rubber Bush - Ø 34 x 40 / 50 mm	x 1
14683	Pin Boot - (Red)	x 1
14684	Ring - (White)	x 1
14524	Bellow Cap - (Black)	x 1
14525	Clamp	x 1
15707	Grease (White) - 5 g	x 1
15718	Grease (Green) - 8 g	x 1

13433 Caliper Pin Repair Kit II339680062

SB7...

MB ECONIC
SCANIA 4 Series



TTT No	Description	Pcs.
14519	Caliper Pin - Ø 36 / 145 mm	x 1
14520	Caliper Pin - Ø 34 / 80 mm	x 1
14526	Pin Bolt - M16 x 1.5 / 150 mm	x 1
14527	Pin Bolt - M16 x 1.5 / 85 mm	x 1
14521	Bush - Ø 36 x 40 / 82 mm	x 1
14522	Rubber Bush - Ø 34 x 40 / 50 mm	x 1
14683	Pin Boot - (Red)	x 1
14684	Ring - (White)	x 1
14524	Bellow Cap - (Black)	x 1
14525	Clamp	x 1
15707	Grease (White) - 5 g	x 1
15718	Grease (Green) - 8 g	x 1

14705 Caliper Long Pin Repair Kit K000935

SB6...
SB7...



TTT No	Description	Pcs.
14519	Caliper Pin - Ø 36 / 145 mm	x 1
14526	Pin Bolt - M16 x 1.5 / 150 mm	x 1
14521	Bush - Ø 36 x 40 / 82 mm	x 1
14683	Pin Boot - (Red)	x 1
14684	Ring - (White)	x 1
14524	Bellow Cap - (Black)	x 1
14525	Clamp	x 1
15707	Grease (White) - 5 g	x 1

14704 Caliper Pin Repair Kit

SB7...



TTT No	Description	Pcs.
14519	Caliper Pin - Ø 36 / 145 mm	x 1
14520	Caliper Pin - Ø 34 / 80 mm	x 1
14526	Pin Bolt - M16 x 1.5 / 150 mm	x 1
14527	Pin Bolt - M16 x 1.5 / 85 mm	x 1
14522	Rubber Bush - Ø 34 x 40 / 50 mm	x 1
15718	Grease (Green) - 8 g	x 1

13435 Caliper Pin Repair Kit

K000132
II350470062

SB6...
SB7...

MB ATEGO 1220 >> 1528
MB ECONIC
SCANIA 4 Series
SCANIA BUS 4 Series



TTT No	Description	Pcs.
14537	Caliper Pin - Ø 36 / 135 mm	x 1
14520	Caliper Pin - Ø 34 / 80 mm	x 1
14538	Pin Bolt - M16 x 1.5 / 140 mm	x 1
14527	Pin Bolt - M16 x 1.5 / 85 mm	x 1
14521	Bush - Ø 36 x 40 / 82 mm	x 1
14522	Rubber Bush - Ø 34 x 40 / 50 mm	x 1
14683	Pin Boot - (Red)	x 1
14684	Ring - (White)	x 1
14524	Bellow Cap - (Black)	x 1
14525	Clamp	x 1
15707	Grease (White) - 5 g	x 1
15718	Grease (Green) - 8 g	x 1

13432 Caliper Pin Repair Kit

SB6...
SB7...



TTT No	Description	Pcs.
14537	Caliper Pin - Ø 36 / 135 mm	x 1
14520	Caliper Pin - Ø 34 / 80 mm	x 1
14521	Bush - Ø 36 x 40 / 82 mm	x 1
14522	Rubber Bush - Ø 34 x 40 / 50 mm	x 1
14683	Pin Boot - (Red)	x 1
14684	Ring - (White)	x 1
14524	Bellow Cap - (Black)	x 1
14525	Clamp	x 1
15707	Grease (White) - 5 g	x 1
15718	Grease (Green) - 8 g	x 1

14530 Caliper Short Pin Repair Kit

II368470064

SB6...
SB7...



TTT No	Description	Pcs.
14520	Caliper Pin - Ø 34 / 80 mm	x 1
14527	Pin Bolt - M16 x 1.5 / 85 mm	x 1
14522	Rubber Bush - Ø 34 x 40 / 50 mm	x 1
15718	Grease (Green) - 8 g	x 1

14531 Caliper Short Pin Repair Kit

SB6...
SB7...



TTT No	Description	Pcs.
14520	Caliper Pin - Ø 34 / 80 mm	x 1
14522	Rubber Bush - Ø 34 x 40 / 50 mm	x 1
15718	Grease (Green) - 8 g	x 1

15515 Caliper Pin Boot & Cap Set

II350470061

SB6...
SB7...



TTT No	Description	Pcs.
14683	Pin Boot - (Red)	x 1
14684	Ring - (White)	x 1
14524	Bellow Cap - (Black)	x 1
14525	Clamp	x 1

16808 Caliper Pin Repair Kit K067417K50

SB6...
SB7...



MAN TGA
IVECO EURO CARGO
IVECO EURO TRAKKER
IVECO EURO STAR
IVECO EURO TECH
IVECO STRALIS
BPW Axle
SAF Axle

TTT No	Description	Pcs.
14528	Caliper Pin - Ø 36 / 114 mm	x 1
14529	Caliper Pin - Ø 32 / 80 mm	x 1
14527	Pin Bolt - M16 x 1.5 / 85 mm	x 1
14535	Pin Bolt - M16 x 1.5 / 80 mm	x 1
14521	Bush - Ø 36 x 40 / 82 mm	x 1
13436	Rubber Bush - Ø 39 mm	x 1
15347	Stop Ring - Ø 35 mm	x 1
14536	Pin Bolt Ring	x 1
14683	Pin Boot - (Red)	x 1
14684	Ring - (White)	x 1
14682	Pin Cap - Ø 40 / 14.5 mm	x 1
14693	Steel Cap	x 1
14694	O-ring	x 1
15707	Grease (White) - 5 g	x 1

13441 Caliper Pin Repair Kit K000375

SB6...
SB7...



MAN TGA/M2000
IVECO EURO CARGO
IVECO EURO TRAKKER
IVECO EURO STAR
IVECO EURO TECH
IVECO STRALIS
SCANIA 4 Series
MB BUS CITARO
TRAVEGO
EVOBUS S3
NEOPLAN
BOVA BUS
DENNIS TRIDENT
SCANIA BUS 114
BPW Axle 19.5"
GIGANT Axle 19.5"/22.5"
LECINENA Axle 19.5"/22.5"
SMB Axle 22.5"

TTT No	Description	Pcs.
14528	Caliper Pin - Ø 36 / 114 mm	x 1
14529	Caliper Pin - Ø 32 / 80 mm	x 1
14527	Pin Bolt - M16 x 1.5 / 85 mm	x 1
14535	Pin Bolt - M16 x 1.5 / 80 mm	x 1
14521	Bush - Ø 36 x 40 / 82 mm	x 1
13436	Rubber Bush - Ø 39 mm	x 1
14536	Pin Bolt Ring	x 1
14683	Pin Boot - (Red)	x 1
14684	Ring - (White)	x 1
14693	Steel Cap	x 1
14694	O-ring	x 1
15707	Grease (White) - 5 g	x 1

14540 Caliper Pin Repair Kit

SB6...
SB7...



TTT No	Description	Pcs.
14528	Caliper Pin - Ø 36 / 114 mm	x 1
14529	Caliper Pin - Ø 32 / 80 mm	x 1
14527	Pin Bolt - M16 x 1.5 / 85 mm	x 1
14535	Pin Bolt - M16 x 1.5 / 80 mm	x 1
13436	Rubber Bush - Ø 39 mm	x 1
14536	Pin Bolt Ring	x 1

14708 Caliper Short Pin Repair Kit K000698

SB6...
SB7...



TTT No	Description	Pcs.
14529	Caliper Pin - Ø 32 / 80 mm	x 1
14535	Pin Bolt - M16 x 1.5 / 80 mm	x 1
13436	Rubber Bush - Ø 39 mm	x 1
14536	Pin Bolt Ring	x 1

14709 Caliper Short Pin Repair Kit K000697

SB6...
SB7...



TTT No	Description	Pcs.
14529	Caliper Pin - Ø 32 / 80 mm	x 1
13436	Rubber Bush - Ø 39 mm	x 1

13436 Rubber Bush - Ø 39 mm

SB6...
SB7...



13873 Caliper Pin Repair Kit K001532

SB6...
SB7...

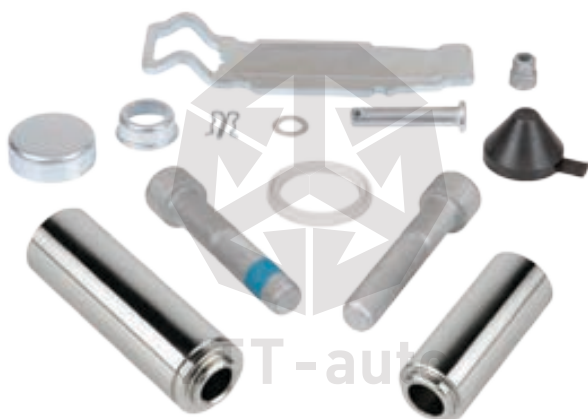
MAN TGA
IVECO EURO CARGO
IVECO EURO TRAKKER
IVECO EURO STAR
IVECO EURO TECH
IVECO STRALIS
SCANIA 4 Series
BPW Axle
SAF Axle



TTT No	Description	Pcs.
14528	Caliper Pin - Ø 36 / 114 mm	x 1
14529	Caliper Pin - Ø 32 / 80 mm	x 1
14527	Pin Bolt - M16 x 1.5 / 85 mm	x 1
14535	Pin Bolt - M16 x 1.5 / 80 mm	x 1
14521	Bush - Ø 36 x 40 / 82 mm	x 1
14868	Rubber Bush - Ø 35 mm	x 1
14536	Pin Bolt Ring	x 1
14683	Pin Boot - (Red)	x 1
14684	Ring - (White)	x 1
14693	Steel Cap	x 1
14694	O-ring	x 1
15707	Grease (White) - 5 g	x 1

16639 Caliper Pin & Pad Retainer Repair Kit

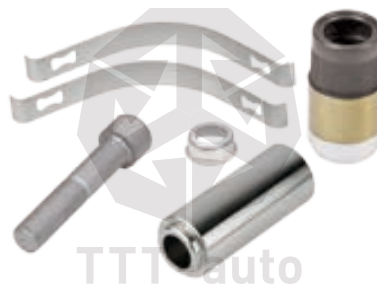
SB7...



TTT No	Description	Pcs.
14528	Caliper Pin - Ø 36 / 114 mm	x 1
14529	Caliper Pin - Ø 32 / 80 mm	x 1
14527	Pin Bolt - M16 x 1.5 / 85 mm	x 1
14535	Pin Bolt - M16 x 1.5 / 80 mm	x 1
14536	Pin Bolt Ring	x 1
14684	Ring - (White)	x 1
14682	Pin Cap - Ø 40 / 14.5 mm	x 1
13496	Brake Pad Retainer Repair Kit	x 1
13509	Adjusting Mechanism Adapter	x 1
14669	Adjusting Mechanism Cap - Ø 38 mm	x 1

17441 Caliper Short Pin Repair Kit K000421

SB6...
SB7...



TTT No	Description	Pcs.
18542	Pad Spring	x 2
14529	Caliper Pin - Ø 32 / 80 mm	x 1
14535	Pin Bolt - M16 x 1.5 / 80 mm	x 1
14868	Rubber Bush - Ø 35 mm	x 1
14536	Pin Bolt Ring	x 1

15050 Caliper Short Pin Repair Kit

SB6...
SB7...



TTT No	Description	Pcs.
14529	Caliper Pin - Ø 32 / 80 mm	x 1
14535	Pin Bolt - M16 x 1.5 / 80 mm	x 1
14868	Rubber Bush - Ø 35 mm	x 1
14536	Pin Bolt Ring	x 1

15051 Caliper Short Pin Repair Kit

SB6...
SB7...



TTT No	Description	Pcs.
14529	Caliper Pin - Ø 32 / 80 mm	x 1
14868	Rubber Bush - Ø 35 mm	x 1

14868 Rubber Bush - Ø 35 mm

SB6...
SB7...



14888 Caliper Pin Repair Kit K000365

SB6...
SB7...



TTT No	Description	Pcs.
14528	Caliper Pin - Ø 36 / 114 mm	x 1
14529	Caliper Pin - Ø 32 / 80 mm	x 1
14520	Caliper Pin - Ø 34 / 80 mm	x 1
14527	Pin Bolt - M16 x 1.5 / 85 mm	x 2
14535	Pin Bolt - M16 x 1.5 / 80 mm	x 1
14521	Bush - Ø 36 x 40 / 82 mm	x 1
14522	Rubber Bush - Ø 34 x 40 / 50 mm	x 1
13437	Rubber Bush - Ø 39 mm	x 1
14683	Pin Boot - (Red)	x 1
14684	Ring - (White)	x 1
14532	Pin Cap - Ø 40 / 11 mm	x 1
14693	Steel Cap	x 1
14694	O-ring	x 1
15707	Grease (White) - 5 g	x 1
15718	Grease (Green) - 8 g	x 1

14751 Caliper Pin Repair Kit K048371K50

SB6...
SB7...



MAN TGA
IVECO EUROCARGO
IVECO EUROTRAKKER
IVECO EUROSTAR
IVECO EUROTECH
IVECO STRALIS
BPW Axle
SAF Axle

TTT No	Description	Pcs.
14528	Caliper Pin - Ø 36 / 114 mm	x 1
14529	Caliper Pin - Ø 32 / 80 mm	x 1
14527	Pin Bolt - M16 x 1.5 / 85 mm	x 1
14535	Pin Bolt - M16 x 1.5 / 80 mm	x 1
14521	Bush - Ø 36 x 40 / 82 mm	x 1
13437	Rubber Bush - Ø 39 mm	x 1
14683	Pin Boot - (Red)	x 1
14684	Ring - (White)	x 1
14693	Steel Cap	x 1
14694	O-ring	x 1
15707	Grease (White) - 5 g	x 1

14750 Caliper Pin Repair Kit K001915 K048389K50 K099604K50

SB6...
SB7...

MAN TGA



TTT No	Description	Pcs.
14528	Caliper Pin - Ø 36 / 114 mm	x 1
14529	Caliper Pin - Ø 32 / 80 mm	x 1
14527	Pin Bolt - M16 x 1.5 / 85 mm	x 1
14535	Pin Bolt - M16 x 1.5 / 80 mm	x 1
14521	Bush - Ø 36 x 40 / 82 mm	x 1
13437	Rubber Bush - Ø 39 mm	x 1
14683	Pin Boot - (Red)	x 1
14684	Ring - (White)	x 1
14682	Pin Cap - Ø 40 / 14.5 mm	x 1
15707	Grease (White) - 5 g	x 1

13442 Caliper Long Pin Repair Kit K000696 I1310370066

SB6...
SB7...



MAN TGM
MAN TGA/TGS/TGX
MAN F2000
MAN BUS
MAN LF 55
DAF LF 55
DAF 75/85 CF
DAF CF 65 / III / IV
DAF CF 75 / IV
DAF CF 85 / IV
DAF XF 95/105
SCHMITZ TRAILER
BPW Axle
SAF Axle

TTT No	Description	Pcs.
14528	Caliper Pin - Ø 36 / 114 mm	x 1
14527	Pin Bolt - M16 x 1.5 / 85 mm	x 1
14521	Bush - Ø 36 x 40 / 82 mm	x 1
14683	Pin Boot - (Red)	x 1
14684	Ring - (White)	x 1
14693	Steel Cap	x 1
14694	O-ring	x 1
15707	Grease (White) - 5 g	x 1

13438 Caliper Pin Repair Kit K000687

SB6...
SB7...

DAF 75/85 CF
DAF CF 65
DAF CF 75 /IV
DAF CF 85 /IV
DAF XF 95/105



TTT No	Description	Pcs.
14519	Caliper Pin - Ø 36 / 145 mm	x 1
14529	Caliper Pin - Ø 32 / 80 mm	x 1
14526	Pin Bolt - M16 x 1.5 / 150 mm	x 1
14535	Pin Bolt - M16 x 1.5 / 80 mm	x 1
14521	Bush - Ø 36 x 40 / 82 mm	x 1
14683	Pin Boot - (Red)	x 1
14684	Ring - (White)	x 1
13437	Rubber Bush - Ø 39 mm	x 1
14524	Bellow Cap - (Black)	x 1
14525	Clamp	x 1
15707	Grease (White) - 5 g	x 1

17442 Caliper Short Pin Repair Kit K048399K50

SB6...
SB7...



TTT No	Description	Pcs.
18542	Pad Spring	x 2
14529	Caliper Pin - Ø 32 / 80 mm	x 1
14535	Pin Bolt - M16 x 1.5 / 80 mm	x 1
13437	Rubber Bush - Ø 39 mm	x 1

14738 Caliper Short Pin Repair Kit

SB6...
SB7...



TTT No	Description	Pcs.
14529	Caliper Pin - Ø 32 / 80 mm	x 1
14535	Pin Bolt - M16 x 1.5 / 80 mm	x 1
13437	Rubber Bush - Ø 39 mm	x 1

14739 Caliper Short Pin Repair Kit

SB6...
SB7...



TTT No	Description	Pcs.
14529	Caliper Pin - Ø 32 / 80 mm	x 1
13437	Rubber Bush - Ø 39 mm	x 1

13437 Rubber Bush - Ø 39 mm

SB6...
SB7...



15841 Caliper Pin Repair Kit K048396K50

SB6...
SB7...

MAN TGA
IVECO EURO CARGO
IVECO EURO TRAKKER
IVECO EURO STAR
IVECO EURO TECH
IVECO STRALIS
BPW Axle
SAF Axle



TTT No	Description	Pcs.
14528	Caliper Pin - Ø 36 / 114 mm	x 1
14529	Caliper Pin - Ø 32 / 80 mm	x 1
14527	Pin Bolt - M16 x 1.5 / 85 mm	x 1
14535	Pin Bolt - M16 x 1.5 / 80 mm	x 1
14521	Bush - Ø 36 x 40 / 82 mm	x 1
15782	Rubber Bush - Ø 35 mm	x 1
14683	Pin Boot - (Red)	x 1
14684	Ring - (White)	x 1
14693	Steel Cap	x 1
14694	O-ring	x 1
15707	Grease (White) - 5 g	x 1

15782 Rubber Bush - Ø 35 mm

SB6...
SB7...



14713 Caliper Pin Boot & Cap Set I1328090061

SB6...
SB7...



TTT No	Description	Pcs.
14693	Steel Cap	x 1
14694	O-ring	x 1
14683	Pin Boot - (Red)	x 1
14684	Ring - (White)	x 1

14523 Caliper Pin Boot Set

SB6...
SB7...



TTT No	Description	Pcs.
14683	Pin Boot - (Red)	x 1
14684	Ring - (White)	x 1

15707 Grease (White) - For Brass Bush



14755 Caliper Pin Repair Kit II39769F0062

SB6...
SB7...

MAN TGA / M 2000
DAF CF 65/75/85/LF55 / XF95
IVECO EUROARGO/EUROTRAKKER
IVECO EUROSTAR/EUROTECH/STRALIS
MB BUS CITARO/CITO/TRAVEGO 99 >>
EVOBUS S3/S316/S328
SCANIA BUS IRIZAR
SMB Axle 19.5"/22.5"
BPW Axle 19.5"
SAF Axle 22.5"
MB Axle 22.5"
MAN BUS
NEOPLAN
BOVA BUS
RABA BUS



TTT No	Description	Pcs.
14528	Caliper Pin - Ø 36 / 114 mm	x 1
14520	Caliper Pin - Ø 34 / 80 mm	x 1
14527	Pin Bolt - M16 x 1.5 / 85 mm	x 2
14521	Bush - Ø 36 x 40 / 82 mm	x 1
14522	Rubber Bush - Ø 34 x 40 / 50 mm	x 1
14683	Pin Boot - (Red)	x 1
14684	Ring - (White)	x 1
14693	Steel Cap	x 1
14694	O-ring	x 1
15707	Grease (White) - 5 g	x 1
15718	Grease (Green) - 8 g	x 1

14952 Caliper Pin Repair Kit II179320062

SB7...

MB BUS BM 671
MB BUS BM 613/628/629/632
MB BUS 633/634/671
DAF OPTARE
BOVA BUS



TTT No	Description	Pcs.
14537	Caliper Pin - Ø 36 / 135 mm	x 1
15054	Caliper Pin - Ø 34 / 120 mm	x 1
14538	Pin Bolt - M16 x 1.5 / 140 mm	x 1
15069	Pin Bolt - M16 x 1.5 / 125 mm	x 1
14521	Bush - Ø 36 x 40 / 82 mm	x 1
15057	Rubber Bush - Ø 34 x 40 / 95 mm	x 1
15013	Pin Boot	x 1
15047	Bellow Cap - (Black)	x 1
14525	Clamp	x 1
15707	Grease (White) - 5 g	x 1
15718	Grease (Green) - 8 g	x 1

17757 Caliper Short Pin Repair Kit II339830064

SB7...



TTT No	Description	Pcs.
15054	Caliper Pin - Ø 34 / 120 mm	x 1
15069	Pin Bolt - M16 x 1.5 / 125 mm	x 1
15057	Rubber Bush - Ø 34 x 40 / 95 mm	x 1

17758 Caliper Short Pin Repair Kit

SB7...



TTT No	Description	Pcs.
15054	Caliper Pin - Ø 34 / 120 mm	x 1
15057	Rubber Bush - Ø 34 x 40 / 95 mm	x 1

15660 Caliper Cap Set II344730063

SB7...



TTT No	Description	Pcs.
15047	Bellow Cap - (Black)	x 1
14525	Clamp	x 1

14977 Caliper Pin Repair Kit II197330062

SB7...

MB ATEGO/ECONIC
SCANIA BUS 4 Series
SCANIA 4 Series



TTT No	Description	Pcs.
14537	Caliper Pin - Ø 36 / 135 mm	x 1
14520	Caliper Pin - Ø 34 / 80 mm	x 1
14538	Pin Bolt - M16 x 1.5 / 140 mm	x 1
14527	Pin Bolt - M16 x 1.5 / 85 mm	x 1
14521	Bush - Ø 36 x 40 / 82 mm	x 1
14522	Rubber Bush - Ø 34 x 40 / 50 mm	x 1
15013	Pin Boot	x 1
15047	Bellow Cap - (Black)	x 1
14525	Clamp	x 1
15707	Grease (White) - 5 g	x 1
15718	Grease (Green) - 8 g	x 1

14946 Caliper Pin Repair Kit II197140062

SB7...

MB ATEGO/ECONIC
SCANIA BUS 4
SCANIA 4



TTT No	Description	Pcs.
14537	Caliper Pin - Ø 36 / 135 mm	x 1
14520	Caliper Pin - Ø 34 / 80 mm	x 1
14538	Pin Bolt - M16 x 1.5 / 140 mm	x 1
14527	Pin Bolt - M16 x 1.5 / 85 mm	x 1
14521	Bush - Ø 36 x 40 / 82 mm	x 1
14522	Rubber Bush - Ø 34 x 40 / 50 mm	x 1
15013	Pin Boot	x 1
15009	Rubber Cap - (Black)	x 1
14525	Clamp	x 1
15707	Grease (White) - 5 g	x 1
15718	Grease (Green) - 8 g	x 1

15600 Caliper Pin Repair Kit K010813

SB7...



TTT No	Description	Pcs.
14528	Caliper Pin - Ø 36 / 114 mm	x 1
14728	Caliper Pin - Ø 36 / 64 mm	x 1
14527	Pin Bolt - M16 x 1.5 / 85 mm	x 1
14727	Pin Bolt - M16 x 1.5 / 70 mm	x 1
14521	Bush - Ø 36 x 40 / 82 mm	x 1
14534	Bush - Ø 36 x 40 / 20 mm	x 1
14683	Pin Boot - (Red)	x 2
14684	Ring - (White)	x 2
15029	Pin Cap - Ø 40 / 24.5 mm	x 1
14693	Steel Cap	x 1
14694	O-ring	x 1
15707	Grease (White) - 5 g	x 1

15656 Caliper Cap Set II197140063

SB7...



TTT No	Description	Pcs.
15009	Rubber Cap - (Black)	x 1
14525	Clamp	x 1

15484 Caliper Bellow Cap Set II350470063

SB6...
SB7...

TTT No	Description	Pcs.
14524	Bellow Cap - (Black)	x 1
14525	Clamp	x 1

14920 Caliper Pin Repair Kit

K011117
K031844K50

SB7...

SCANIA 4 Series
SCANIA P / G / R / T Series
SCANIA BUS 4 Series



TTT No	Description	Pcs.
14528	Caliper Pin - Ø 36 / 114 mm	x 1
15503	Caliper Pin - Ø 32 / 84 mm	x 1
14527	Pin Bolt - M16 x 1.5 / 85 mm	x 1
14535	Pin Bolt - M16 x 1.5 / 80 mm	x 1
14521	Bush - Ø 36 x 40 / 82 mm	x 1
15599	Rubber Bush	x 1
14683	Pin Boot - (Red)	x 1
14684	Ring - (White)	x 1
15507	Pin Boot - (Black)	x 1
15508	Ring - (Red)	x 1
14693	Steel Cap	x 1
14694	O-ring	x 1
15523	Pin Cap - Ø 40 / 36.5 mm	x 1
14682	Pin Cap - Ø 40 / 14.5 mm	x 1
15707	Grease (White) - 5 g	x 1
15718	Grease (Green) - 8 g	x 1

19280 Caliper Pin Repair Kit

K105599K55

SB7...

SCANIA 4 Series
SCANIA P / G / R / T Series
SCANIA BUS 4 Series



TTT No	Description	Pcs.
19281	Caliper Pin - Ø 36 / 114 mm	x 1
19282	Caliper Pin Rubber Bush	x 1
15503	Caliper Pin - Ø 32 / 84 mm	x 1
14527	Pin Bolt - M16 x 1.5 / 85 mm	x 1
19543	Pin Bolt - M16 x 1.5 / 80 mm	x 1
14521	Bush - Ø 36 x 40 / 82 mm	x 1
15599	Rubber Bush	x 1
14683	Pin Boot - (Red)	x 1
14684	Ring - (White)	x 1
15507	Pin Boot - (Black)	x 1
15508	Ring - (Red)	x 1
14693	Steel Cap	x 1
14694	O-ring	x 1
15523	Pin Cap - Ø 40 / 36.5 mm	x 1
14682	Pin Cap - Ø 40 / 14.5 mm	x 1
15707	Grease (White) - 5 g	x 1
15718	Grease (Green) - 8 g	x 1

14541 Caliper Cap Set

K001301

SB6...
SB7...



TTT No	Description	Pcs.
14693	Steel Cap	x 6
14694	O-ring	x 6
14524	Bellow Cap - (Black)	x 6
14525	Clamp	x 6

15599 Rubber Bush

SB7...



14533 Caliper Cap Set

II39769F0063

SB6...
SB7...



TTT No	Description	Pcs.
14693	Steel Cap	x 1
14694	O-ring	x 1

13333 Caliper Tappet & Boot Set (74 mm)

K000944
K010604
K010606

SB6...
SB7...



MB ACTROS/AXOR
MB ATEGO/ECONIC
MAN TGA/L, M 2000
DAF CF 65/75/85
DAF LF55 / XF95
SCANIA 4 Series
SCANIA P/G/R/T
IVECO EUROTECH
IVECO EUROSTAR
IVECO EURO CARGO
MB BUS TRAVEGO
EVOBUS
MAN BUS
NEOPLAN
DAF BUS SB120
BOVA BUS
DENNIS BUS
MB TRAILER Axle
BPW Axle
SAF Axle
SMB Axle
GIGANT Axle

TTT No	Description	Pcs.
14507	Thrust Part With Bellow - (74 mm)	x 2
14508	Shaft Housing Boot	x 2
14509	Bush - Ø 16 x 18 / 10 mm	x 2
15707	Grease (White) - 5 g	x 1

14721 Caliper Pin & Boot Set

SB6...
SB7...



TTT No	Description	Pcs.
14507	Thrust Part With Bellow - (74 mm)	x 2
14508	Shaft Housing Boot	x 2
14509	Bush - Ø 16 x 18 / 10 mm	x 2
14683	Pin Boot - (Red)	x 1
14684	Ring - (White)	x 1
14524	Bellow Cap - (Black)	x 1
14525	Clamp	x 1
14521	Bush - Ø 36 x 40 / 82 mm	x 1
14522	Rubber Bush - Ø 34 x 40 / 50 mm	x 1
14693	Steel Cap	x 1
14694	O-ring	x 1
14669	Adjusting Mechanism Cap - Ø 38 mm	x 1
14536	Pin Bolt Ring	x 1
15707	Grease (White) - 5 g	x 1
15718	Grease (Green) - 8 g	x 1

15003 Caliper Tappet Set

II179320065
II304130065

SB6...
SB7...



TTT No	Description	Pcs.
14507	Thrust Part With Bellow - (74 mm)	x 2
14509	Bush - Ø 16 x 18 / 10 mm	x 2
15707	Grease (White) - 5 g	x 1

14720 Caliper Pin & Boot Set

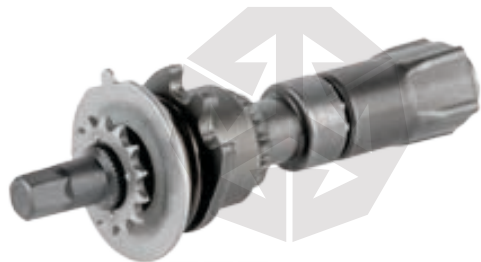
SB6...
SB7...



TTT No	Description	Pcs.
14507	Thrust Part With Bellow - (74 mm)	x 2
14509	Bush - Ø 16 x 18 / 10 mm	x 2
14683	Pin Boot - (Red)	x 1
14684	Ring - (White)	x 1
14524	Bellow Cap - (Black)	x 1
14525	Clamp	x 1
14522	Rubber Bush - Ø 34 x 40 / 50 mm	x 1
15707	Grease (White) - 5 g	x 1
15718	Grease (Green) - 8 g	x 1

13471 Adjusting Mechanism Shaft

SB6...
SB7...



TTT - auto

17792 Adjusting Mechanism Shaft

SB6...
SB7...



TTT - auto

13507 Caliper Calibration Bolt
(3 Thread)

SB6...
SB7...



TTT - auto

13472 Pinion Shaft

SB6...
SB7...



TTT - auto

16531 Pinion Shaft

SB6...
SB7...



TTT - auto

16567 Pinion Shaft

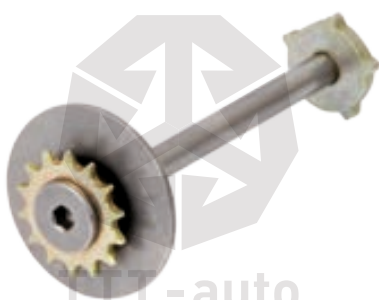
SB6...
SB7...



TTT - auto

16579 Pinion Shaft

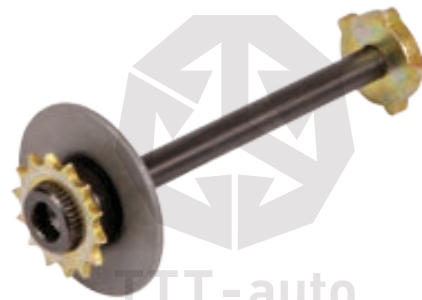
SB6...
SB7...



TTT - auto

16509 Pinion Shaft

SB6...
SB7...



TTT - auto

13505 Caliper Mechanism Gear

SB6...
SB7...



TTT - auto

13508 Calibration Shaft Chain

SB6...
SB7...



TTT - auto

15512 Shaft Housing Set

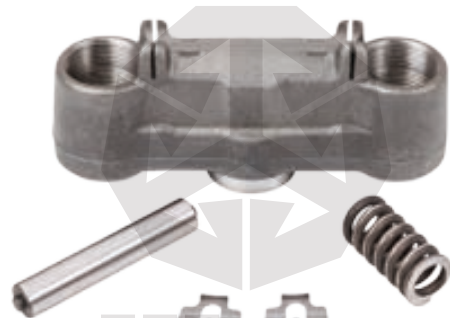
SB6...
SB7...



TTT - auto

13502 Shaft Housing Assembly

SB6...
SB7...



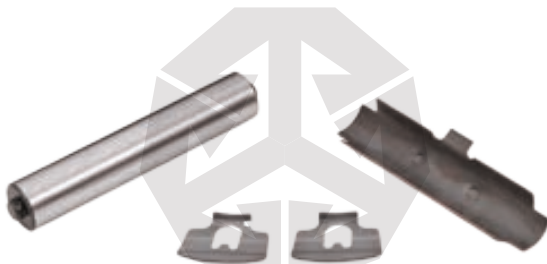
TTT - auto

TTT No	Description		Pcs.
13502	Shaft Housing Assembly	x	1
14563	Lever Bearing	x	1
13507	Caliper Calibration Bolt - (3 Thread)	x	2

TTT No	Description		Pcs.
15652	Shaft Housing	x	1
14665	Shaft Housing Pin	x	1
14666	Shaft Housing Pin Clamp	x	2
14656	Shaft Housing Spring	x	1

14664 Caliper Lever Bearing Set

SB6...
SB7...



TTT - auto

14563 Caliper Lever Bearing

SB6...
SB7...



TTT - auto

TTT No	Description		Pcs.
14563	Lever Bearing	x	1
14665	Shaft Housing Pin	x	1
14666	Shaft Housing Pin Clamp	x	2

14701 Needle Bearing Set

SB6...
SB7...



TTT - auto

TTT No	Description	Pcs.
14649	Needle Bearing	x 2

14657 Needle Bearing Set

SB6...
SB7...



TTT - auto

TTT No	Description	Pcs.
13514	Needle Bearing	x 2

13512 Caliper Lever - Straight (Angle 0°)

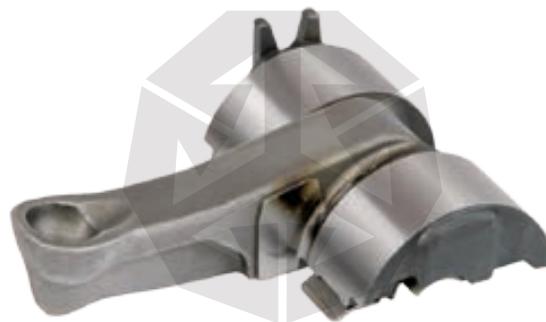
SB6...



TTT - auto

13513 Caliper Lever (Angle 12°)

SB7...



TTT - auto

15494 Caliper Lever - Straight (Angle 0°)

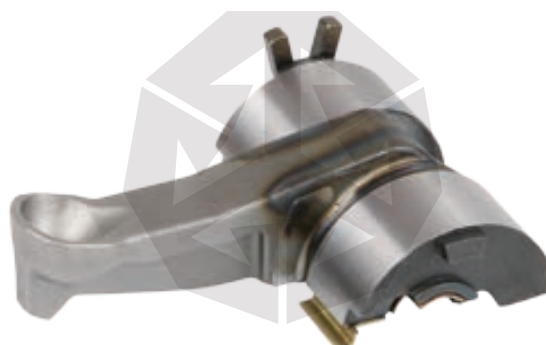
SB7...



TTT - auto

14714 Caliper Lever (Angle 12°)

SB7...



TTT - auto

14660 Caliper Complete Mechanism Repair Kit

SB6...



TTT No	Description	Pcs.	
13333	Tappet & Boot Set - (74 mm)	x	1
13502	Shaft Housing Assembly	x	1
13512	Lever - Straight (Angle 0°)	x	1
14701	Needle Bearing Set	x	1
13508	Calibration Shaft Chain	x	1
13471	Adjusting Mechanism Shaft	x	1
13472	Pinion Shaft	x	1
13507	Caliper Calibration Bolt - (3 Thread)	x	2
15707	Grease (White) - 5 g	x	1

15844 Caliper Complete Mechanism Repair Kit

SB7...



TTT No	Description	Pcs.	
13333	Tappet & Boot Set - (74 mm)	x	1
13502	Shaft Housing Assembly	x	1
13513	Lever - (Angle 12°)	x	1
14701	Needle Bearing Set	x	1
13508	Calibration Shaft Chain	x	1
13471	Adjusting Mechanism Shaft	x	1
13472	Pinion Shaft	x	1
13507	Caliper Calibration Bolt - (3 Thread)	x	2
15707	Grease (White) - 5 g	x	1

15667 Caliper Complete Mechanism Repair Kit

SB6...

KNORR

SB6/SB7



TTT No	Description	Pcs.			
13333	Tappet & Boot Set - (74 mm)	x 1	13471	Adjusting Mechanism Shaft	x 1
13502	Shaft Housing Assembly	x 1	13472	Pinion Shaft	x 1
15494	Lever - Straight (Angle 0°)	x 1	13507	Caliper Calibration Bolt - (3 Thread)	x 2
14701	Needle Bearing Set	x 1	15707	Grease (White) - 5 g	x 1
13508	Calibration Shaft Chain	x 1			

14661 Caliper Complete Mechanism Repair Kit

SB7...



TTT No	Description	Pcs.			
13333	Tappet & Boot Set - (74 mm)	x 1	13471	Adjusting Mechanism Shaft	x 1
13502	Shaft Housing Assembly	x 1	13472	Pinion Shaft	x 1
14714	Lever - (Angle 12°)	x 1	13507	Caliper Calibration Bolt - (3 Thread)	x 2
14701	Needle Bearing Set	x 1	15707	Grease (White) - 5 g	x 1
13508	Calibration Shaft Chain	x 1			

Plastic Cover

SB6...
SB7...



TTT - auto

16014 Without Sensor

16015 With 2 Wires Sensor

13506 With 3 Wires Sensor

16686 With 3 Wires Sensor - MAN Type

MB ACTROS/AXOR/ATEGO
MAN TGA

MB AXOR/ATEGO

MB ACTROS

MAN TGA

Plastic Cover

SB6...
SB7...



TTT - auto

16239 Without Sensor

16238 With 2 Wires Sensor

16237 With 3 Wires Sensor

SCANIA
DAF
IVECO

DAF

SCANIA 4 Series
IVECO STRALIS

Plastic Cover

SB6...
SB7...



TTT - auto

19086 Without Sensor

TRAILER Axle

16012 Plastic Cover Gasket

SB6...
SB7...



TTT - auto

16834 Plastic Cover Seal Set

SB6...
SB7...

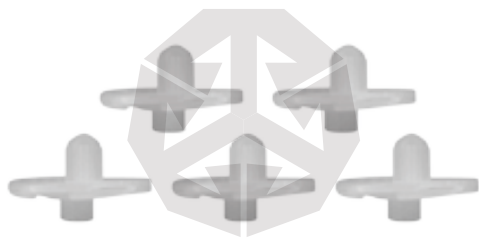


TTT - auto

TTT No	Description	Pcs.
16013	Plastic Cover Seal	x 5

16835 Plastic Gear Shaft Set

SB6...
SB7...

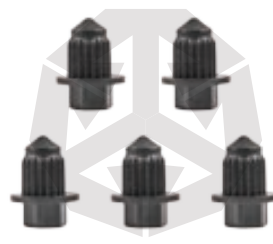


TTT - auto

TTT No	Description	Pcs.
14901	Plastic Gear Shaft	x 5

17662 Plastic Gear Shaft Set

SB6...
SB7...



TTT - auto

TTT No	Description	Pcs.
17663	Plastic Gear Shaft	x 5

17790 Sensor Plastic Locker Set

SB6...
SB7...



TTT - auto

TTT No	Description	Pcs.
17791	Sensor Plastic Locker	x 5

14676 Brake Pad Retainer & Adapter Repair Kit

SB6...
SB7...



TTT - auto

TTT No	Description	Pcs.
17663	Plastic Gear Shaft	x 5

14690 Adjusting Mechanism Adapter Set Z001548

SB6...
SB7...



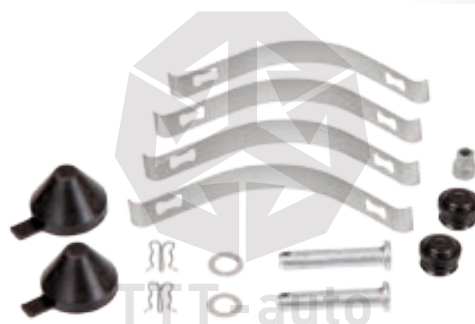
TTT - auto

TTT No	Description	Pcs.
13509	Adjusting Mechanism Adapter	x 10

17641 Brake Pad Retainer Repair Kit K000946

SB6...
SB7...

SCANIA 4 Series
SCANIA P / G / R / T Series



TTT - auto

TTT No	Description	Pcs.
13509	Adjusting Mechanism Adapter	x 10

14969 Adjusting Mechanism Cap Set K000945

SB6...
SB7...

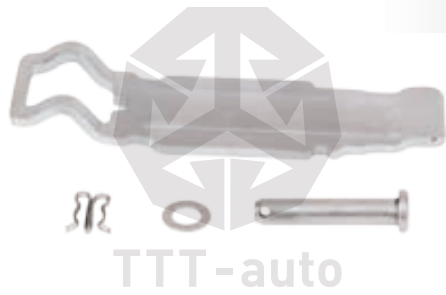


TTT - auto

TTT No	Description	Pcs.
14669	Adjusting Mechanism Cap - Ø 38 mm	x 10
14989	Adjusting Mechanism Cap	x 10
13509	Adjusting Mechanism Adapter	x 10

13496 Brake Pad Retainer Repair Kit SB7...
K000129

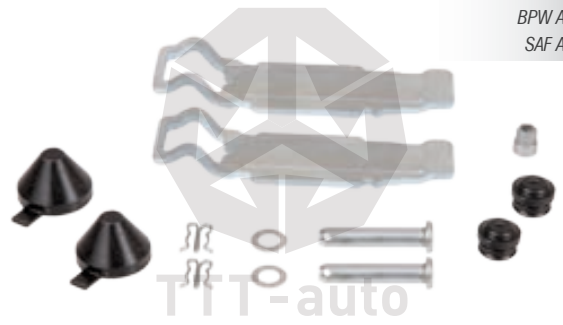
MB ACTROS/AXOR
SCANIA 4 Series
SCANIA P / G / R / T Series
BPW Axle
SAF Axle



TTT - auto

15780 Brake Pad Retainer Repair Kit SB7...

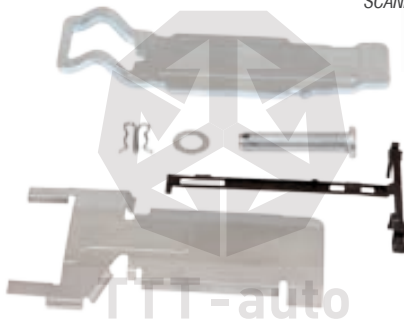
MB ACTROS/AXOR
SCANIA 4 Series
SCANIA P / G / R / T Series
BPW Axle
SAF Axle



TTT - auto

16809 Brake Pad Retainer Repair Kit SB7...
K000884

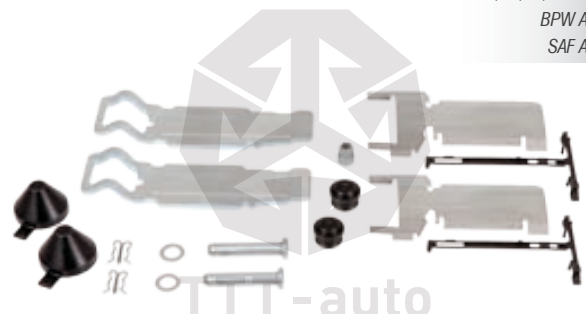
MB ACTROS/AXOR
SCANIA 4 Series
SCANIA P / G / R / T Series
BPW Axle
SAF Axle



TTT - auto

16810 Brake Pad Retainer Repair Kit SB7...
K002311

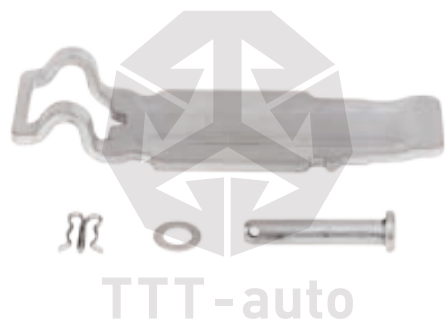
MB ACTROS/AXOR
SCANIA 4 Series
SCANIA P / G / R / T Series
BPW Axle
SAF Axle



TTT - auto

16676 Brake Pad Retainer Repair Kit SB6...
K000133

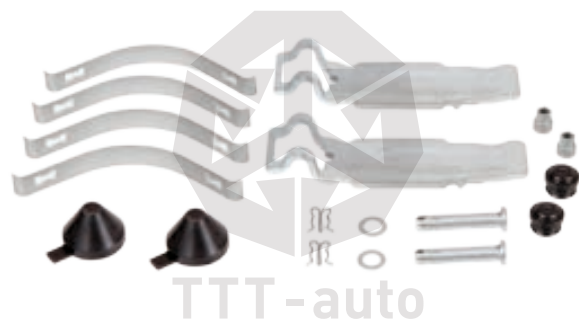
MB ATEGO 1/2/3



TTT - auto

16731 Brake Pad Retainer Repair Kit SB6...

MB ATEGO 1/2/3



TTT - auto

16811 Brake Pad Retainer Repair Kit SB6...
K000133

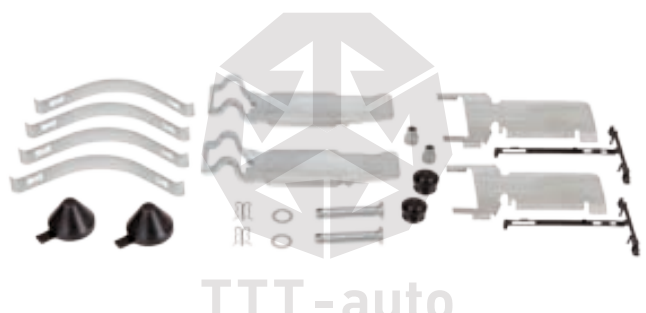
MB ATEGO 1/2/3



TTT - auto

16812 Brake Pad Retainer Repair Kit SB6...
K000133

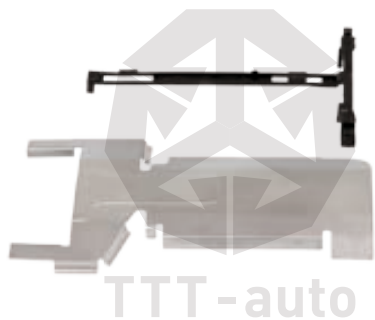
MB ATEGO 1/2/3



TTT - auto

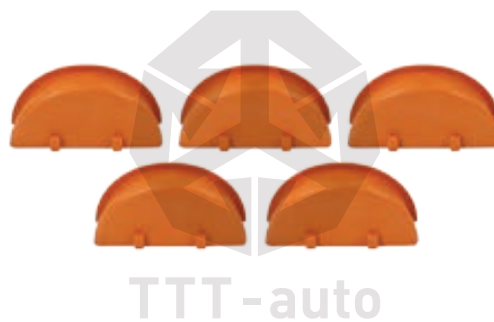
16785 Cable Protection Kit

SB6...
SB7...



15887 Caliper Support Seal Set

SB6...
SB7...



TTT No	Description	Pcs.
15817	Caliper Support Seal	x 5

17989 Caliper Pin Rubber Cap Set

SB6...
SB7...



TTT No	Description	Pcs.
17950	Caliper Pin Rubber Cap	x 5

17895 Caliper Pin Rubber Cap Set

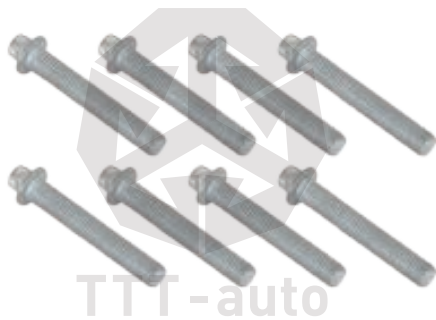
SB6...
SB7...



TTT No	Description	Pcs.
17664	Caliper Pin Rubber Cap	x 5

17938 Caliper Cover Bolt Kit

SB6...
SB7...



TTT No	Description	Pcs.
17939	Cover Bolt - M10 x 1.5 / 60 mm	x 8

17912 Caliper Cover Bolt Kit

SB6...
SB7...



TTT No	Description	Pcs.
17913	Cover Bolt - M14 x 2 / 55 mm	x 8

15707 Grease (White) - For Brass Bush



15718 Grease (Green) - For Rubber Bush



19002 Caliper Complete Repair Kit - (Without Lever)

SB6...
SB7...

MAN TGA
New Model



TTT No	Description	Pcs.	
14750	Caliper Pin Repair Kit	x	1
13333	Tappet & Boot Set - (74 mm)	x	1
13502	Shaft Housing Assembly	x	1
14701	Needle Bearing Set	x	1
13508	Calibration Shaft Chain	x	1
13471	Adjusting Mechanism Shaft	x	1
13472	Pinion Shaft	x	1
13507	Caliper Calibration Bolt - (3 Thread)	x	2
15707	Grease (White) - 5 g	x	1

19004 Caliper Complete Repair Kit - (Without Lever)

SB6...
SB7...

MB AXOR
Old Model



TTT No	Description	Pcs.	
14750	Caliper Pin Repair Kit	x	1
13333	Tappet & Boot Set - (74 mm)	x	1
13502	Shaft Housing Assembly	x	1
14657	Needle Bearing Set	x	1
13508	Calibration Shaft Chain	x	1
13471	Adjusting Mechanism Shaft	x	1
13472	Pinion Shaft	x	1
13507	Caliper Calibration Bolt - (3 Thread)	x	2
15707	Grease (White) - 5 g	x	1

13433 Caliper Pin Repair Kit II339680062

SB7...
RADIAL

MB BUS CITARO/CAPACITY
EVOBUS CITYBUS/S3
MAN BUS LION'S CITY
NEOPLAN CENTROLINER
DAF BUS OPTARE
DENNIS BUS
VAN HOOL



TTT No	Description	Pcs.
14519	Caliper Pin - Ø 36 / 145 mm	x 1
14520	Caliper Pin - Ø 34 / 80 mm	x 1
14526	Pin Bolt - M16 x 1.5 / 150 mm	x 1
14527	Pin Bolt - M16 x 1.5 / 85 mm	x 1
14521	Bush - Ø 36 x 40 / 82 mm	x 1
14522	Rubber Bush - Ø 34 x 40 / 50 mm	x 1
14683	Pin Boot - (Red)	x 1
14684	Ring - (White)	x 1
14524	Bellow Cap - (Black)	x 1
14525	Clamp	x 1
15707	Grease (White) - 5 g	x 1
15718	Grease (Green) - 8 g	x 1

15475 Caliper Pin Repair Kit II358510062

SB7...
RADIAL

SCANIA 4 Series
SCANIA BUS 3 / 4 Series
EVOBUS



TTT No	Description	Pcs.
14519	Caliper Pin - Ø 36 / 145 mm	x 1
15054	Caliper Pin - Ø 34 / 120 mm	x 1
14526	Pin Bolt - M16 x 1.5 / 150 mm	x 1
15069	Pin Bolt - M16 x 1.5 / 125 mm	x 1
14521	Bush - Ø 36 x 40 / 82 mm	x 1
15057	Rubber Bush - Ø 34 x 40 / 95 mm	x 1
14683	Pin Boot - (Red)	x 1
14684	Ring - (White)	x 1
14524	Bellow Cap - (Black)	x 1
14525	Clamp	x 1
15707	Grease (White) - 5 g	x 1
15718	Grease (Green) - 8 g	x 1

17757 Caliper Short Pin Repair Kit II339830064

SB7...
RADIAL



TTT No	Description	Pcs.
15054	Caliper Pin - Ø 34 / 120 mm	x 1
15069	Pin Bolt - M16 x 1.5 / 125 mm	x 1
15057	Rubber Bush - Ø 34 x 40 / 95 mm	x 1

17758 Caliper Short Pin Repair Kit

SB7...
RADIAL



TTT No	Description	Pcs.
15054	Caliper Pin - Ø 34 / 120 mm	x 1
15057	Rubber Bush - Ø 34 x 40 / 95 mm	x 1

15484 Caliper Bellow Cap Set II350470063

SB7...
RADIAL



TTT No	Description	Pcs.
14524	Bellow Cap - (Black)	x 1
14525	Clamp	x 1

17891 Caliper Cover Bolt Kit

SB7...
RADIAL



TTT No	Description	Pcs.
17892	Cover Bolt - M12 x 1.75 / 80 mm	x 8

Plastic Cover

SB7...
RADIAL



15953 Without Sensor

MB BUS CITARO/CAPACITY
EVOBUS CITYBUS/S3

15998 With 2 Wires Sensor

MB BUS CITARO/CAPACITY
EVOBUS CITYBUS/S3

15960 With 3 Wires Sensor

MB BUS CITARO/CAPACITY
EVOBUS CITYBUS/S3

Plastic Cover

SB7...
RADIAL



15954 Without Sensor

SCANIA BUS 3 / 4 Series

15995 With 2 Wires Sensor

SCANIA BUS 3 / 4 Series

15961 With 3 Wires Sensor

SCANIA BUS 3 / 4 Series

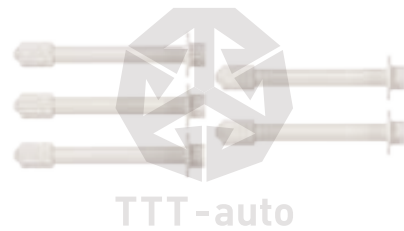
16738 Plastic Cover Gasket

SB7...
RADIAL



16813 Plastic Gear Shaft Set

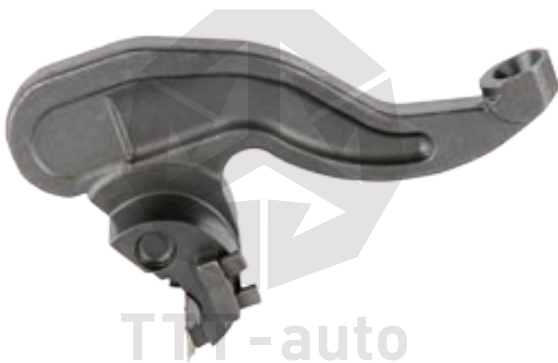
SB7...
RADIAL



TTT No	Description	Pcs.
16739	Plastic Gear Shaft	x 5

17540 Caliper Lever - 93°

SB7...
RADIAL



17665 Caliper Lever - 86°

SB7...
RADIAL



16453 Caliper Complete Mechanism Repair Kit

**SB7...
RADIAL**

MB BUS CITARO/CAPACITY
EVOBUS CITYBUS/S3
MAN BUS LION'S CITY
NEOPLAN CENTROLINER
DAF BUS OPTARE
DENNIS BUS
VAN HOOL



TTT No	Description	Pcs.			
13333	Tappet & Boot Set - (74 mm)	x 1	13471	Adjusting Mechanism Shaft	x 1
13502	Shaft Housing Assembly	x 1	13472	Pinion Shaft	x 1
17540	Lever - 93°	x 1	13507	Caliper Calibration Bolt - (3 Thread)	x 2
14701	Needle Bearing Set	x 1	15707	Grease (White) - 5 g	x 1
13508	Calibration Shaft Chain	x 1			

17666 Caliper Complete Mechanism Repair Kit

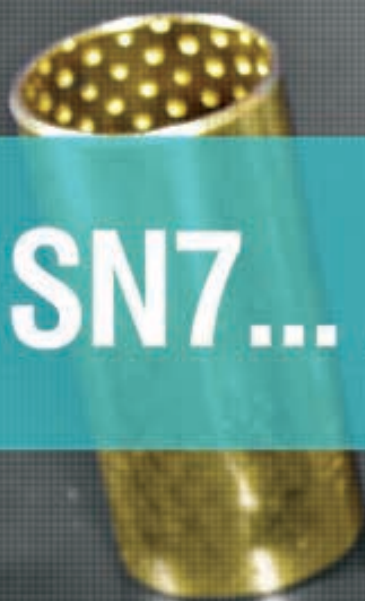
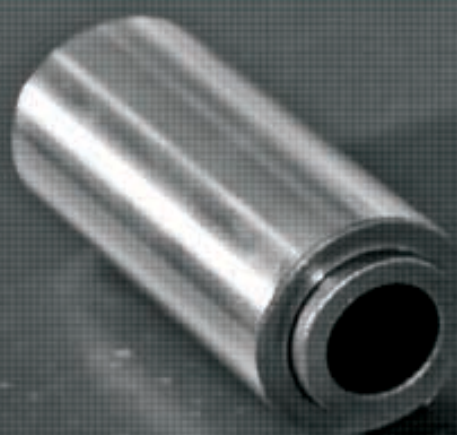
**SB7...
RADIAL**

SCANIA 4 Series
SCANIA BUS 3 / 4 Series



TTT No	Description	Pcs.			
13333	Tappet & Boot Set - (74 mm)	x 1	13471	Adjusting Mechanism Shaft	x 1
13502	Shaft Housing Assembly	x 1	13472	Pinion Shaft	x 1
17665	Lever - 86°	x 1	13507	Caliper Calibration Bolt - (3 Thread)	x 2
14701	Needle Bearing Set	x 1	15707	Grease (White) - 5 g	x 1
13508	Calibration Shaft Chain	x 1			

SN6... / SN7... / SK7...





16808 Caliper Pin Repair Kit K067417K50

SN6...
SN7...
SK7...

MAN TGA
IVECO EURO CARGO
IVECO EURO TRAKKER
IVECO EURO STAR
IVECO EURO TECH
IVECO STRALIS
BPW Axle
SAF Axle



TTT No	Description	Pcs.
14528	Caliper Pin - Ø 36 / 114 mm	x 1
14529	Caliper Pin - Ø 32 / 80 mm	x 1
14527	Pin Bolt - M16 x 1.5 / 85 mm	x 1
14535	Pin Bolt - M16 x 1.5 / 80 mm	x 1
14521	Bush - Ø 36 x 40 / 82 mm	x 1
13436	Rubber Bush - Ø 39 mm	x 1
15347	Stop Ring - Ø 35 mm	x 1
14536	Pin Bolt Ring	x 1
14683	Pin Boot - (Red)	x 1
14684	Ring - (White)	x 1
14682	Pin Cap - Ø 40 / 14.5 mm	x 1
14693	Steel Cap	x 1
14694	O-ring	x 1
15707	Grease (White) - 5 g	x 1

13440 Caliper Pin Repair Kit K000472 K017707

SN6...
SN7...
SK7...

MAN TGL/TGM
MAN TGA/TGS/TGX
MAN F2000
DAF LF 55
DAF 75/85 CF
DAF CF 65 /II /IV
DAF CF 75 /IV
DAF CF 85 /IV
DAF XF 95/105
MAN BUS
BPW Axle



TTT No	Description	Pcs.
14528	Caliper Pin - Ø 36 / 114 mm	x 1
14529	Caliper Pin - Ø 32 / 80 mm	x 1
14527	Pin Bolt - M16 x 1.5 / 85 mm	x 1
14535	Pin Bolt - M16 x 1.5 / 80 mm	x 1
14521	Bush - Ø 36 x 40 / 82 mm	x 1
13436	Rubber Bush - Ø 39 mm	x 1
14536	Pin Bolt Ring	x 1
14683	Pin Boot - (Red)	x 1
14684	Ring - (White)	x 1
14682	Pin Cap - Ø 40 / 14.5 mm	x 1
15707	Grease (White) - 5 g	x 1

16639 Caliper Pin & Pad Retainer Repair Kit

SN7...



TTT No	Description	Pcs.
14528	Caliper Pin - Ø 36 / 114 mm	x 1
14529	Caliper Pin - Ø 32 / 80 mm	x 1
14527	Pin Bolt - M16 x 1.5 / 85 mm	x 1
14535	Pin Bolt - M16 x 1.5 / 80 mm	x 1
14536	Pin Bolt Ring	x 1
14684	Ring - (White)	x 1
14682	Pin Cap - Ø 40 / 14.5 mm	x 1
13496	Brake Pad Retainer Repair Kit	x 1
13509	Adjusting Mechanism Adapter	x 1
14669	Adjusting Mechanism Cap - Ø 38 mm	x 1

16658 Caliper Pin Repair Kit K052759K50

NA7...



TTT No	Description	Pcs.
14528	Caliper Pin - Ø 36 / 114 mm	x 1
16659	Caliper Pin - Ø 32 / 88 mm	x 1
14527	Pin Bolt - M16 x 1.5 / 85 mm	x 1
14535	Pin Bolt - M16 x 1.5 / 80 mm	x 1
14521	Bush - Ø 36 x 40 / 82 mm	x 1
13436	Rubber Bush - Ø 39 mm	x 1
14683	Pin Boot - (Red)	x 1
14684	Ring - (White)	x 1
14682	Pin Cap - Ø 40 / 14.5 mm	x 1
15707	Grease (White) - 5 g	x 1
15718	Grease (Green) - 8 g	x 1

17446 Caliper Pin Repair Kit

NA7...



TTT No	Description	Pcs.
14528	Caliper Pin - Ø 36 / 114 mm	x 1
16659	Caliper Pin - Ø 32 / 88 mm	x 1
14520	Caliper Pin - Ø 34 / 80 mm	x 1
14527	Pin Bolt - M16 x 1.5 / 85 mm	x 2
14535	Pin Bolt - M16 x 1.5 / 80 mm	x 1
14521	Bush - Ø 36 x 40 / 82 mm	x 1
13436	Rubber Bush - Ø 39 mm	x 1
14522	Rubber Bush - Ø 34 x 40 / 50 mm	x 1
14683	Pin Boot - (Red)	x 1
14684	Ring - (White)	x 1
14693	Steel Cap	x 1
14694	O-ring	x 1
14682	Pin Cap - Ø 40 / 14.5 mm	x 1
15707	Grease (White) - 5 g	x 1
15718	Grease (Green) - 8 g	x 1

14750 Caliper Pin Repair Kit

K001915
K048389K50
K099604K50

SN6...
SN7...

MB ACTROS MP111/MP1V
MAN TGL/TGM
MAN TGA/TGS/TGX
MAN F2000
DAF LF 55
DAF 75/85 CF
DAF CF 65 /II /IV
DAF CF 75 /IV
DAF CF 85 /IV
DAF XF 95/105
MAN BUS



TTT No	Description	Pcs.
14528	Caliper Pin - Ø 36 / 114 mm	x 1
14529	Caliper Pin - Ø 32 / 80 mm	x 1
14527	Pin Bolt - M16 x 1.5 / 85 mm	x 1
14535	Pin Bolt - M16 x 1.5 / 80 mm	x 1
14521	Bush - Ø 36 x 40 / 82 mm	x 1
13437	Rubber Bush - Ø 39 mm	x 1
14683	Pin Boot - (Red)	x 1
14684	Ring - (White)	x 1
14682	Pin Cap - Ø 40 / 14.5 mm	x 1
15707	Grease (White) - 5 g	x 1

15715 Caliper Cap Set

SN6...
SN7...
SK7...



TTT No	Description	Pcs.
14682	Pin Cap - Ø 40 / 14.5 mm	x 5

17710 Caliper Pin Repair Kit

K001925
K028451

SN6...

MB ATEGO 1 / 2 / 3
DANA Axle
SMB Axle



TTT No	Description	Pcs.
15002	Caliper Pin - Ø 36 / 103 mm	x 1
14529	Caliper Pin - Ø 32 / 80 mm	x 1
14527	Pin Bolt - M16 x 1.5 / 85 mm	x 1
14535	Pin Bolt - M16 x 1.5 / 80 mm	x 1
17711	Bush - Ø 36 x 40 / 75 mm	x 1
13437	Rubber Bush - Ø 39 mm	x 1
14683	Pin Boot - (Red)	x 1
14684	Ring - (White)	x 1
14682	Pin Cap - Ø 40 / 14.5 mm	x 1
15707	Grease (White) - 5 g	x 1

14941 Caliper Pin Repair Kit

K001274
K002716

SN6...

MB ATEGO 1 / 2 / 3
DANA Axle
SMB Axle



TTT No	Description	Pcs.
15002	Caliper Pin - Ø 36 / 103 mm	x 1
14529	Caliper Pin - Ø 32 / 80 mm	x 1
14527	Pin Bolt - M16 x 1.5 / 85 mm	x 1
14535	Pin Bolt - M16 x 1.5 / 80 mm	x 1
17711	Bush - Ø 36 x 40 / 75 mm	x 1
13436	Rubber Bush - Ø 39 mm	x 1
14536	Pin Bolt Ring	x 1
14683	Pin Boot - (Red)	x 1
14684	Ring - (White)	x 1
14532	Pin Cap - Ø 40 / 11 mm	x 1
15707	Grease (White) - 5 g	x 1

14888 Caliper Pin Repair Kit K000365

SN6...
SN7...



TTT No	Description	Pcs.
14528	Caliper Pin - Ø 36 / 114 mm	x 1
14529	Caliper Pin - Ø 32 / 80 mm	x 1
14520	Caliper Pin - Ø 34 / 80 mm	x 1
14527	Pin Bolt - M16 x 1.5 / 85 mm	x 2
14535	Pin Bolt - M16 x 1.5 / 80 mm	x 1
14521	Bush - Ø 36 x 40 / 82 mm	x 1
14522	Rubber Bush - Ø 34 x 40 / 50 mm	x 1
13437	Rubber Bush - Ø 39 mm	x 1
14683	Pin Boot - (Red)	x 1
14684	Ring - (White)	x 1
14532	Pin Cap - Ø 40 / 11 mm	x 1
14693	Steel Cap	x 1
14694	O-ring	x 1
15707	Grease (White) - 5 g	x 1
15718	Grease (Green) - 8 g	x 1

14820 Caliper Pin Repair Kit K004100 K004168 K010766

SN6...
SN7...
SK7...

SAF SK RLB INTEGRAL
SAF SK NLB INTEGRAL
SAF SKRB INTEGRAL
SAF SKRS / SKRZ



TTT No	Description	Pcs.
14528	Caliper Pin - Ø 36 / 114 mm	x 1
14728	Caliper Pin - Ø 36 / 64 mm	x 1
14527	Pin Bolt - M16 x 1.5 / 85 mm	x 1
14727	Pin Bolt - M16 x 1.5 / 70 mm	x 1
14521	Bush - Ø 36 x 40 / 82 mm	x 1
14534	Bush - Ø 36 x 40 / 20 mm	x 1
14683	Pin Boot - (Red)	x 2
14684	Ring - (White)	x 2
15029	Pin Cap - Ø 40 / 24.5 mm	x 1
14682	Pin Cap - Ø 40 / 14.5 mm	x 1
15707	Grease (White) - 5 g	x 2

14539 Caliper Cap Set

SN6...
SN7...



TTT No	Description	Pcs.
14532	Pin Cap - Ø 40 / 11 mm	x 5

15733 Caliper Cap Set

SK7...



TTT No	Description	Pcs.
15029	Pin Cap - Ø 40 / 24.5 mm	x 5

14821 Caliper Short Pin Repair Kit

SN6...
SN7...
SK7...



TTT No	Description	Pcs.
14728	Caliper Pin - Ø 36 / 64 mm	x 1
14727	Pin Bolt - M16 x 1.5 / 70 mm	x 1
14534	Bush - Ø 36 x 40 / 20 mm	x 1
14683	Pin Boot - (Red)	x 1
14684	Ring - (White)	x 1
15029	Pin Cap - Ø 40 / 24.5 mm	x 1
15707	Grease (White) - 5 g	x 1

15842 Caliper Pin & Pad Retainer Repair Kit

Repair Kit
K013007

SK7...



TTT No	Description	Pcs.
14528	Caliper Pin - Ø 36 / 114 mm	x 1
14728	Caliper Pin - Ø 36 / 64 mm	x 1
14527	Pin Bolt - M16 x 1.5 / 85 mm	x 1
14727	Pin Bolt - M16 x 1.5 / 70 mm	x 1
14684	Ring - (White)	x 2
15029	Pin Cap - Ø 40 / 24.5 mm	x 1
14682	Pin Cap - Ø 40 / 14.5 mm	x 1
16676	Brake Pad Retainer Repair Kit	x 1
13509	Adjusting Mechanism Adapter	x 1
14669	Adjusting Mechanism Cap - Ø 38 mm	x 1
15707	Grease (White) - 5 g	x 1

19211 Caliper Pin Repair Kit

K002872

SN6...
SN7...

MB AXOR



TTT No	Description	Pcs.
14528	Caliper Pin - Ø 36 / 114 mm	x 1
19236	Caliper Pin - Ø 36 / 70 mm	x 1
14527	Pin Bolt - M16 x 1.5 / 85 mm	x 1
14547	Pin Bolt - M16 x 1.5 / 75 mm	x 1
14521	Bush - Ø 36 x 40 / 82 mm	x 1
18748	Bush - Ø 36 x 40 / 20 mm	x 1
14683	Pin Boot - (Red)	x 2
14684	Ring - (White)	x 2
19201	Pin Cap - Ø 40 / 31 mm	x 1
14682	Pin Cap - Ø 40 / 14.5 mm	x 1
15707	Grease (White) - 5 g	x 2

19212 Caliper Long Pin Repair Kit

K001691

SN6...
SN7...



TTT No	Description	Pcs.
14528	Caliper Pin - Ø 36 / 114 mm	x 1
14527	Pin Bolt - M16 x 1.5 / 85 mm	x 1
14521	Bush - Ø 36 x 40 / 82 mm	x 1
14683	Pin Boot - (Red)	x 1
14684	Ring - (White)	x 1
19201	Pin Cap - Ø 40 / 31 mm	x 1
14682	Pin Cap - Ø 40 / 14.5 mm	x 1
15707	Grease (White) - 5 g	x 1

19213 Caliper Short Pin Repair Kit

K001692

SN6...
SN7...



TTT No	Description	Pcs.
19236	Caliper Pin - Ø 36 / 70 mm	x 1
14527	Pin Bolt - M16 x 1.5 / 85 mm	x 1
14547	Pin Bolt - M16 x 1.5 / 75 mm	x 1
18748	Bush - Ø 36 x 40 / 20 mm	x 1
14683	Pin Boot - (Red)	x 1
14684	Ring - (White)	x 1
19201	Pin Cap - Ø 40 / 31 mm	x 1
14682	Pin Cap - Ø 40 / 14.5 mm	x 1
15707	Grease (White) - 5 g	x 1

19209 Caliper Cap Set

SN6...
SN7...



TTT No	Description	Pcs.
19201	Pin Cap - Ø 40 / 31 mm	x 5

14920 Caliper Pin Repair KitK011117
K031844K50

SN7...

SCANIA 4 Series
SCANIA P / G / R / T Series
SCANIA BUS 4 Series

TTT No	Description	Pcs.
14528	Caliper Pin - Ø 36 / 114 mm	x 1
15503	Caliper Pin - Ø 32 / 84 mm	x 1
14527	Pin Bolt - M16 x 1.5 / 85 mm	x 1
14535	Pin Bolt - M16 x 1.5 / 80 mm	x 1
14521	Bush - Ø 36 x 40 / 82 mm	x 1
15599	Rubber Bush	x 1
14683	Pin Boot - (Red)	x 1
14684	Ring - (White)	x 1
15507	Pin Boot - (Black)	x 1
15508	Ring - (Red)	x 1
14693	Steel Cap	x 1
14694	O-ring	x 1
15523	Pin Cap - Ø 40 / 36.5 mm	x 1
14682	Pin Cap - Ø 40 / 14.5 mm	x 1
15707	Grease (White) - 5 g	x 1
15718	Grease (Green) - 8 g	x 1

19280 Caliper Pin Repair Kit

K105599K55

SN7...

SCANIA 4 Series
SCANIA P / G / R / T Series
SCANIA BUS 4 Series

TTT No	Description	Pcs.
19281	Caliper Pin - Ø 36 / 114 mm	x 1
19282	Caliper Pin Rubber Bush	x 1
15503	Caliper Pin - Ø 32 / 84 mm	x 1
14527	Pin Bolt - M16 x 1.5 / 85 mm	x 1
19543	Pin Bolt - M16 x 1.5 / 80 mm	x 1
14521	Bush - Ø 36 x 40 / 82 mm	x 1
15599	Rubber Bush	x 1
14683	Pin Boot - (Red)	x 1
14684	Ring - (White)	x 1
15507	Pin Boot - (Black)	x 1
15508	Ring - (Red)	x 1
14693	Steel Cap	x 1
14694	O-ring	x 1
15523	Pin Cap - Ø 40 / 36.5 mm	x 1
14682	Pin Cap - Ø 40 / 14.5 mm	x 1
15707	Grease (White) - 5 g	x 1
15718	Grease (Green) - 8 g	x 1

15599 Rubber Bush

SN7...

**15718** Grease (Green) - For Rubber Bush**19240** Caliper Pin Repair Kit

K001470

SN6...
SN7...

TTT No	Description	Pcs.
14528	Caliper Pin - Ø 36 / 114 mm	x 1
14529	Caliper Pin - Ø 32 / 80 mm	x 1
14527	Pin Bolt - M16 x 1.5 / 85 mm	x 1
14535	Pin Bolt - M16 x 1.5 / 80 mm	x 1
14521	Bush - Ø 36 x 40 / 82 mm	x 1
13436	Rubber Bush - Ø 39 mm	x 1
14536	Pin Bolt Ring	x 1
14683	Pin Boot - (Red)	x 1
14684	Ring - (White)	x 1
14682	Pin Cap - Ø 40 / 14.5 mm	x 1
14693	Steel Cap	x 1
14694	O-ring	x 1
15707	Grease (White) - 5 g	x 1

13439 Caliper Tappet & Boot Set (69 mm)

K000366
K001300
K010603
K092079



SN6...
SN7...
SK7...
NA7...

MB ACTROS/AXOR
MB ATEGO 1/2/3
MB ECONIC 1
DAF 75/85 CF
DAF LF 55
DAF CF 65 /II
DAF CF 75 /IV
DAF CF 85 /IV
DAF XF 95/105
MAN TGM
MAN TGA/TGS/TGX
MAN BUS
SCANIA BUS 4
SCANIA 4 Series
BPW Axle
SAF Axle
SCHMITZ TRAILER

TTT No	Description	Pcs.
14517	Thrust Part With Bellow - (69 mm)	x 2
14518	Shaft Housing Boot	x 2
14509	Bush - Ø 16 x 18 / 10 mm	x 2
15707	Grease (White) - 5 g	x 1

15004 Caliper Tappet Set

SN6...
SN7...
SK7...



TTT No	Description	Pcs.
14517	Thrust Part With Bellow - (69 mm)	x 2
14509	Bush - Ø 16 x 18 / 10 mm	x 2
15707	Grease (White) - 5 g	x 1

17840 Caliper Tappet & Boot Set (69 mm)

SN6...
SN7...
SK7...
NA7...



TTT No	Description	Pcs.
14517	Thrust Part With Bellow - (69 mm)	x 2
17782	Shaft Housing Boot	x 2
14509	Bush - Ø 16 x 18 / 10 mm	x 2
15707	Grease (White) - 5 g	x 1

14723 Caliper Pin & Boot Set

SN6...
SN7...



TTT No	Description	Pcs.
14517	Thrust Part With Bellow - (69 mm)	x 2
14518	Shaft Housing Boot	x 2
14509	Bush - Ø 16 x 18 / 10 mm	x 2
14683	Pin Boot - (Red)	x 1
14684	Ring - (White)	x 1
14524	Bellow Cap - (Black)	x 1
14525	Clamp	x 1
14521	Bush - Ø 36 x 40 / 82 mm	x 1
14522	Rubber Bush - Ø 34 x 40 / 50 mm	x 1
14693	Steel Cap	x 1
14694	O-ring	x 1
14669	Adjusting Mechanism Cap - Ø 38 mm	x 1
14536	Pin Bolt Ring	x 1
15707	Grease (White) - 5 g	x 1
15718	Grease (Green) - 8 g	x 1

14722 Caliper Pin & Boot Set

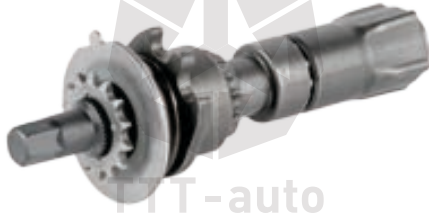
SN6...
SN7...



TTT No	Description	Pcs.
14517	Thrust Part With Bellow - (69 mm)	x 2
14509	Bush - Ø 16 x 18 / 10 mm	x 2
14683	Pin Boot - (Red)	x 1
14684	Ring - (White)	x 1
14524	Bellow Cap - (Black)	x 1
14525	Clamp	x 1
14522	Rubber Bush - Ø 34 x 40 / 50 mm	x 1
15707	Grease (White) - 5 g	x 1
15718	Grease (Green) - 8 g	x 1

13471 Adjusting Mechanism Shaft

SN6...
SN7...
SK7...



TTT-auto

17792 Adjusting Mechanism Shaft

SN6...
SN7...
SK7...



TTT-auto

13507 Caliper Calibration Bolt
(3 Thread)

SN6...
SN7...
SK7...



TTT-auto

13472 Pinion Shaft

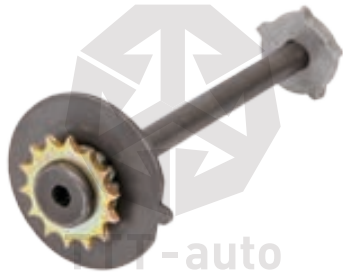
SN6...
SN7...
SK7...



TTT-auto

16531 Pinion Shaft

SN6...
SN7...
SK7...



TTT-auto

16567 Pinion Shaft

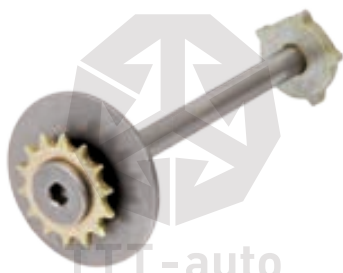
SN6...
SN7...
SK7...



TTT-auto

16579 Pinion Shaft

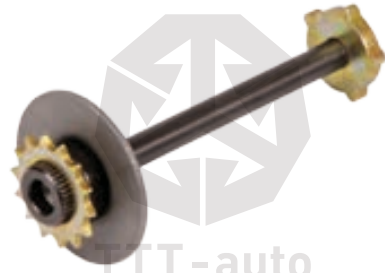
SN6...
SN7...
SK7...



TTT-auto

16509 Pinion Shaft

SN6...
SN7...
SK7...



TTT-auto

13505 Caliper Mechanism Gear

SN6...
SN7...
SK7...



TTT-auto

13508 Calibration Shaft Chain

SN6...
SN7...
SK7...



TTT-auto

15514 Shaft Housing Set

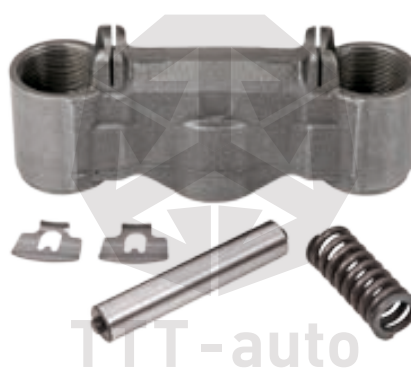
SN6...
SN7...



TTT No	Description	Pcs.
13504	Shaft Housing Assembly	x 1
14563	Lever Bearing	x 1
13507	Caliper Calibration Bolt - (3 Thread)	x 2

13504 Shaft Housing Assembly

SN6...
SN7...



TTT No	Description	Pcs.
15654	Shaft Housing	x 1
14665	Shaft Housing Pin	x 1
14666	Shaft Housing Pin Clamp	x 2
14656	Shaft Housing Spring	x 1

15513 Shaft Housing Set

SN7...
SK7...



TTT No	Description	Pcs.
13503	Shaft Housing Assembly	x 1
13507	Caliper Calibration Bolt - (3 Thread)	x 2

13503 Shaft Housing Assembly

SN7...
SK7...



TTT No	Description	Pcs.
15653	Shaft Housing	x 1
14656	Shaft Housing Spring	x 1

14701 Needle Bearing Set

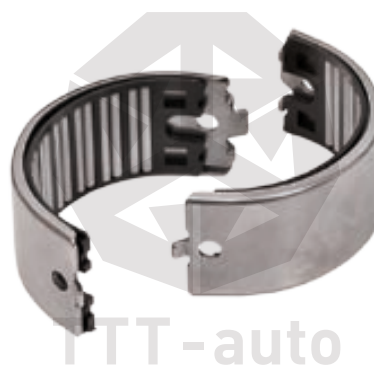
SN6...
SN7...
SK7...



TTT No	Description	Pcs.
14649	Needle Bearing	x 2

14657 Needle Bearing Set

SN6...
SN7...
SK7...



TTT No	Description	Pcs.
13514	Needle Bearing	x 2

13510 Caliper Lever - Straight
(Angle 0°)

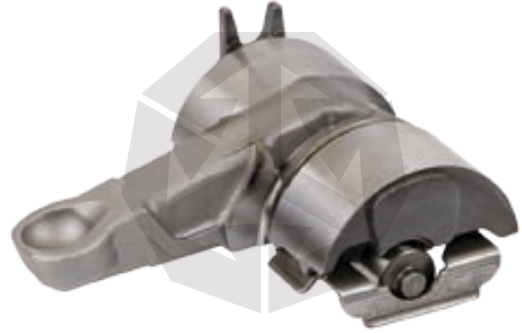
SN6...



TTT - auto

16011 Caliper Lever

SN6...



TTT - auto

13511 Caliper Lever - Straight
(Angle 0°)

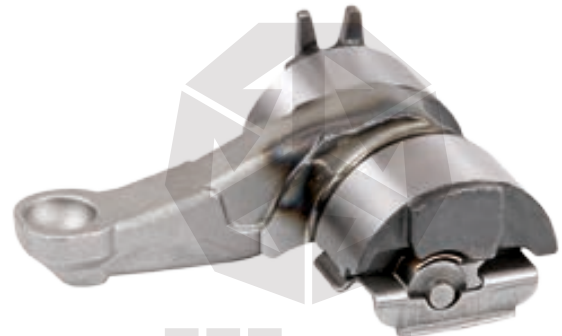
SN7...
SK7...



TTT - auto

16425 Caliper Lever

SN7...
SK7...



TTT - auto

15502 Caliper Lever
(Angle 12°)

SN7...
SK7...



TTT - auto

14715 Caliper Lever

SK7...



TTT - auto

13470 Caliper Complete Mechanism Repair Kit

SN6...



TTT No	Description	Pcs.			
13439	Tappet & Boot Set - (69 mm)	x 1	13471	Adjusting Mechanism Shaft	x 1
13504	Shaft Housing Assembly	x 1	13472	Pinion Shaft	x 1
13510	Lever - Straight (Angle 0°)	x 1	13507	Caliper Calibration Bolt - (3 Thread)	x 2
14657	Needle Bearing Set	x 1	15707	Grease (White) - 5 g	x 1
13508	Calibration Shaft Chain	x 1			

15911 Caliper Complete Mechanism Repair Kit

SN6...



TTT No	Description	Pcs.			
13439	Tappet & Boot Set - (69 mm)	x 1	13471	Adjusting Mechanism Shaft	x 1
13503	Shaft Housing Assembly	x 1	13472	Pinion Shaft	x 1
16011	Lever	x 1	13507	Caliper Calibration Bolt - (3 Thread)	x 2
14657	Needle Bearing Set	x 1	15707	Grease (White) - 5 g	x 1
13508	Calibration Shaft Chain	x 1			

14652 Caliper Complete Mechanism Repair Kit

SN7...
SK7...



TTT No	Description	Pcs.			
13439	Tappet & Boot Set - (69 mm)	x 1	13471	Adjusting Mechanism Shaft	x 1
13504	Shaft Housing Assembly	x 1	13472	Pinion Shaft	x 1
13511	Lever - Straight (Angle 0°)	x 1	13507	Caliper Calibration Bolt - (3 Thread)	x 2
14657	Needle Bearing Set	x 1	15707	Grease (White) - 5 g	x 1
13508	Calibration Shaft Chain	x 1			

16430 Caliper Complete Mechanism Repair Kit

SN7...
SK7...



TTT No	Description	Pcs.			
13439	Tappet & Boot Set - (69 mm)	x 1	13471	Adjusting Mechanism Shaft	x 1
13503	Shaft Housing Assembly	x 1	13472	Pinion Shaft	x 1
16425	Lever	x 1	13507	Caliper Calibration Bolt - (3 Thread)	x 2
14657	Needle Bearing Set	x 1	15707	Grease (White) - 5 g	x 1
13508	Calibration Shaft Chain	x 1			

15655 Caliper Complete Mechanism Repair Kit

SN7...
SK7...



TTT No	Description	Pcs.			
13439	Tappet & Boot Set - (69 mm)	x 1	13471	Adjusting Mechanism Shaft	x 1
13504	Shaft Housing Assembly	x 1	13472	Pinion Shaft	x 1
15502	Lever - (Angle 12°)	x 1	13507	Caliper Calibration Bolt - (3 Thread)	x 2
14657	Needle Bearing Set	x 1	15707	Grease (White) - 5 g	x 1
13508	Calibration Shaft Chain	x 1			

14900 Caliper Complete Mechanism Repair Kit

SK7...



TTT No	Description	Pcs.			
13439	Tappet & Boot Set - (69 mm)	x 1	13471	Adjusting Mechanism Shaft	x 1
13503	Shaft Housing Assembly	x 1	13472	Pinion Shaft	x 1
14715	Lever	x 1	13507	Caliper Calibration Bolt - (3 Thread)	x 2
14657	Needle Bearing Set	x 1	15707	Grease (White) - 5 g	x 1
13508	Calibration Shaft Chain	x 1			

14564 Caliper Cover

SN6...
SN7...
SK7...



TTT - auto

17377 Caliper Cover

SN6...
SN7...
SK7...

BPW Axle



TTT - auto

Plastic Cover



TTT - auto

16014 Without Sensor

16015 With 2 Wires Sensor

13506 With 3 Wires Sensor

16686 With 3 Wires Sensor - MAN Type

SN6...
SN7...
SK7...

MB ACTROS/AXOR/ATEGO
MAN TGA

MB AXOR/ATEGO

MB ACTROS

MAN TGA

Plastic Cover



TTT - auto

16239 Without Sensor

16238 With 2 Wires Sensor

16237 With 3 Wires Sensor

SN6...
SN7...
SK7...

SCANIA
DAF
IVECO

DAF

SCANIA 4 Series
IVECO STRALIS

Plastic Cover



TTT - auto

19086 Without Sensor

SN6...
SN7...
SK7...

TRAILER Axle

16012 Plastic Cover Gasket

SN6...
SN7...
SK7...



TTT - auto

16834 Plastic Cover Seal Set

SN6...
SN7...
SK7...



TTT - auto

TTT No	Description	Pcs.
16013	Plastic Cover Seal	x 5

16835 Plastic Gear Shaft Set

SN6...
SN7...
SK7...

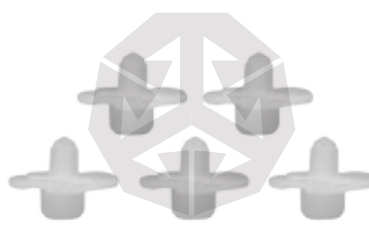


TTT - auto

TTT No	Description	Pcs.
14901	Plastic Gear Shaft	x 5

17680 Plastic Gear Shaft Set

SN6...
SN7...
SK7...



TTT - auto

TTT No	Description	Pcs.
17681	Plastic Gear Shaft - 9 mm	x 5

17662 Plastic Gear Shaft Set

SN6...
SN7...
SK7...



TTT - auto

TTT No	Description	Pcs.
17663	Plastic Gear Shaft	x 5

17790 Sensor Plastic Locker Set

SN6...
SN7...
SK7...



TTT - auto

TTT No	Description	Pcs.
17791	Sensor Plastic Locker	x 5

14670 Adjusting Mechanism Cap Set K000029

SN6...
SN7...



TTT - auto

TTT No	Description	Pcs.
14669	Adjusting Mechanism Cap - Ø 38 mm	x 10
13509	Adjusting Mechanism Adapter	x 10

16144 Adjusting Mechanism Cap Set K003902

SK7...



TTT - auto

TTT No	Description	Pcs.
16143	Adjusting Mechanism Cap - Ø 35mm	x 10
13509	Adjusting Mechanism Adapter	x 10

14676 Brake Pad Retainer & Adapter Repair Kit

SN6...
SN7...
SK7...



17641 Brake Pad Retainer Repair Kit
K000946

SN6...
SN7...

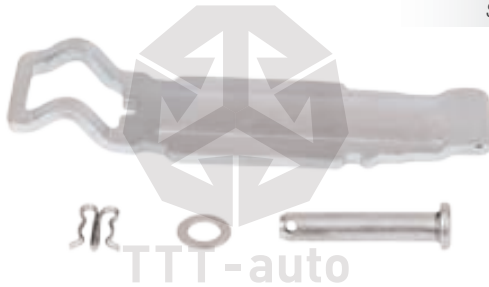
SCANIA 4 Series
SCANIA P / G / R / T Series



13496 Brake Pad Retainer Repair Kit
K000129

SN7...

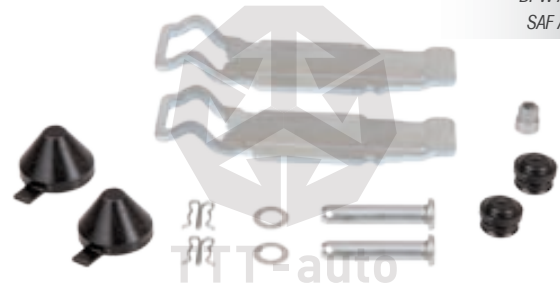
MB ACTROS/AXOR
SCANIA 4 Series
SCANIA P / G / R / T Series
BPW Axle
SAF Axle



15780 Brake Pad Retainer Repair Kit

SN7...

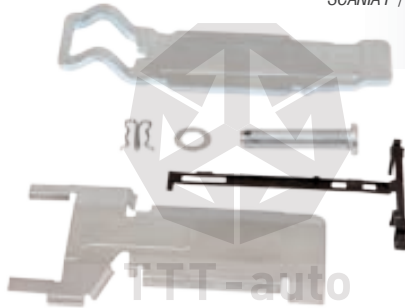
MB ACTROS/AXOR
SCANIA 4 Series
SCANIA P / G / R / T Series
BPW Axle
SAF Axle



16809 Brake Pad Retainer Repair Kit
K000884

SN7...

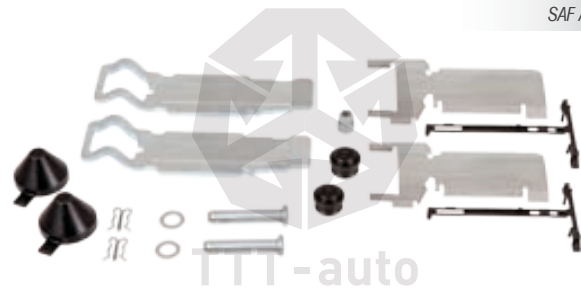
MB ACTROS/AXOR
SCANIA 4 Series
SCANIA P / G / R / T Series
BPW Axle
SAF Axle



16810 Brake Pad Retainer Repair Kit
K002311

SN7...

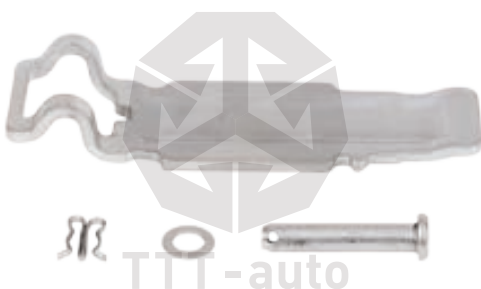
MB ACTROS/AXOR
SCANIA 4 Series
SCANIA P / G / R / T Series
BPW Axle
SAF Axle



16676 Brake Pad Retainer Repair Kit
K000133

SN6...
SK7...

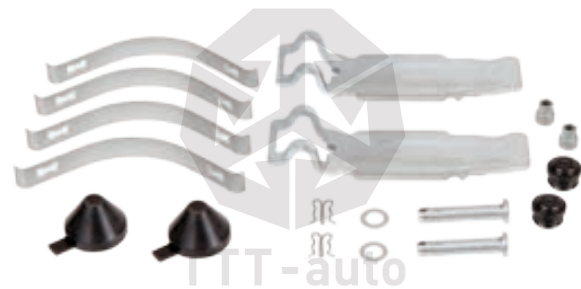
MB ATEGO 1/2/3



16731 Brake Pad Retainer Repair Kit

SN6...
SK7...

MB ATEGO 1/2/3



16811 Brake Pad Retainer Repair Kit

SN6...
SK7...

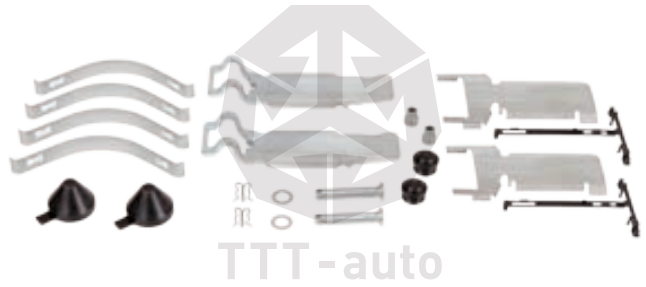
MB ATEGO 1/2/3



16812 Brake Pad Retainer Repair Kit

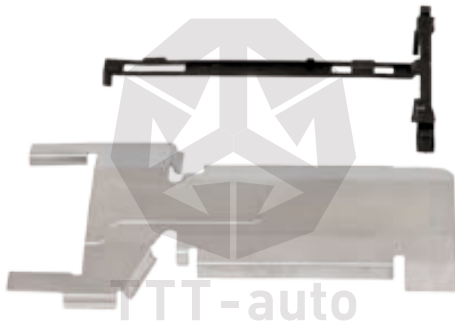
SN6...
SK7...

MB ATEGO 1/2/3



16785 Cable Protection Kit

SN6...
SN7...
SK7...



17895 Caliper Pin Rubber Cap Set

SN6...
SN7...
SK7...



17989 Caliper Pin Rubber Cap Set

SN6...
SN7...
SK7...



15771 Caliper Head Sealing Plug Set

SN6...
SN7...
SK7...



TTT No	Description	Pcs.
17950	Caliper Pin Rubber Cap	x 5

TTT No	Description	Pcs.
15758	Head Sealing Plug	x 5

17141 Caliper Actuator Seal Set

SN6...
SN7...
SK7...



17142 Caliper Actuator Seal Set

SN6...
SN7...
SK7...



TTT No	Description	Pcs.
17048	Caliper Actuator Seal - Ø 42,00 mm	x 5

TTT No	Description	Pcs.
17050	Caliper Actuator Seal - Ø 45,00 mm	x 5

19005 Caliper Complete Repair Kit - (Without Lever)

SN6...
SN7...
SK7...

MB ACTROS (New Model)
BPW (New Model)



TTT No	Description	Pcs.			
13440	Caliper Pin Repair Kit	x 1	13471	Adjusting Mechanism Shaft	x 1
13439	Tappet & Boot Set - (69 mm)	x 1	13472	Pinion Shaft	x 1
13504	Shaft Housing Assembly	x 1	13507	Caliper Calibration Bolt - (3 Thread)	x 2
14657	Needle Bearing Set	x 1	14564	Caliper Cover	x 1
13508	Calibration Shaft Chain	x 1	15707	Grease (White) - 5 g	x 1

19007 Caliper Complete Repair Kit - (Without Lever)

SN6...
SN7...
SK7...

MB AXOR (New Model)



TTT No	Description	Pcs.			
14750	Caliper Pin Repair Kit	x 1	13471	Adjusting Mechanism Shaft	x 1
13333	Tappet & Boot Set - (74 mm)	x 1	13472	Pinion Shaft	x 1
13504	Shaft Housing Assembly	x 1	13507	Caliper Calibration Bolt - (3 Thread)	x 2
14657	Needle Bearing Set	x 1	15707	Grease (White) - 5 g	x 1
13508	Calibration Shaft Chain	x 1			

19003 Caliper Complete Repair Kit - (Without Lever)

SN6...
SN7...
SK7...

SCANIA 4 Series

KNORR

SN6 / SN7
SK7



TTT No	Description	Pcs.			
14820	Caliper Pin Repair Kit	x 1	13471	Adjusting Mechanism Shaft	x 1
13439	Tappet & Boot Set - (69 mm)	x 1	13472	Pinion Shaft	x 1
13503	Shaft Housing Assembly	x 1	13507	Caliper Calibration Bolt - (3 Thread)	x 2
14701	Needle Bearing Set	x 1	14564	Caliper Cover	x 1
13508	Calibration Shaft Chain	x 1	15707	Grease (White) - 5 g	x 1

19006 Caliper Complete Repair Kit - (Without Lever)

SN6...
SN7...
SK7...

MB ACTROS (Old Model)
BPW (Old Model)



TTT No	Description	Pcs.			
13873	Caliper Pin Repair Kit	x 1	13471	Adjusting Mechanism Shaft	x 1
13439	Tappet & Boot Set - (69 mm)	x 1	13472	Pinion Shaft	x 1
13503	Shaft Housing Assembly	x 1	13507	Caliper Calibration Bolt - (3 Thread)	x 2
14701	Needle Bearing Set	x 1	14564	Caliper Cover	x 1
13508	Calibration Shaft Chain	x 1	15707	Grease (White) - 5 g	x 1

SL7... / SM7... / ST7...





14750 Caliper Pin Repair Kit

K001915
K048389K50
K099604K50

SL7...
SM7...MB ACTROS / AXOR
MPIII / MPIV

TTT No	Description	Pcs.
14528	Caliper Pin - Ø 36 / 114 mm	x 1
14529	Caliper Pin - Ø 32 / 80 mm	x 1
14527	Pin Bolt - M16 x 1.5 / 85 mm	x 1
14535	Pin Bolt - M16 x 1.5 / 80 mm	x 1
14521	Bush - Ø 36 x 40 / 82 mm	x 1
13437	Rubber Bush - Ø 39 mm	x 1
14683	Pin Boot - (Red)	x 1
14684	Ring - (White)	x 1
14682	Pin Cap - Ø 40 / 14.5 mm	x 1
15707	Grease (White) - 5 g	x 1

15908 Caliper Pin & Pad Retainer Repair Kit

K012912

SL7...
SM7...MB ACTROS / AXOR
MPIII / MPIV

TTT No	Description	Pcs.
14528	Caliper Pin - Ø 36 / 114 mm	x 1
14529	Caliper Pin - Ø 32 / 80 mm	x 1
14527	Pin Bolt - M16 x 1.5 / 85 mm	x 1
14535	Pin Bolt - M16 x 1.5 / 80 mm	x 1
14684	Ring - (White)	x 1
14682	Pin Cap - Ø 40 / 14.5 mm	x 1
16676	Brake Pad Retainer Repair Kit	x 1
13509	Adjusting Mechanism Adapter	x 1
14669	Adjusting Mechanism Cap - Ø 38 mm	x 1
15707	Grease (White) - 5 g	x 1

18747 Caliper Pin Repair Kit

K108002K50

ST7...

SCHMITZ TRAILER



TTT No	Description	Pcs.
14528	Caliper Pin - Ø 36 / 114 mm	x 1
14728	Caliper Pin - Ø 36 / 64 mm	x 1
14527	Pin Bolt - M16 x 1.5 / 85 mm	x 1
14727	Pin Bolt - M16 x 1.5 / 70 mm	x 1
14521	Bush - Ø 36 x 40 / 82 mm	x 1
18748	Bush - Ø 36 x 40 / 20 mm	x 1
14683	Pin Boot - (Red)	x 2
14684	Ring - (White)	x 2
15029	Pin Cap - Ø 40 / 24.5 mm	x 1
14682	Pin Cap - Ø 40 / 14.5 mm	x 1
15707	Grease (White) - 5 g	x 2

15715 Caliper Cap Set

SL7...
SM7...
ST7...

TTT No	Description	Pcs.
14682	Pin Cap - Ø 40 / 14.5 mm	x 5

15733 Caliper Cap Set

ST7...



TTT No	Description	Pcs.
15029	Pin Cap - Ø 40 / 24.5 mm	x 5

15888 Caliper Tappet & Boot Set (69 mm) K046523K50 K108004K50

SL7...
SM7...
ST7...

MB ACTROS / AXOR
MPIII / MPIV
SCHMITZ TRAILER



TTT No	Description	Pcs.
15816	Thrust Part With Bellow - (69 mm)	x 2
14518	Shaft Housing Boot	x 2
15946	Bush - Ø 15 x 17 / 8 mm	x 2
15707	Grease (White) - 5 g	x 1

17850 Caliper Tappet & Boot Set (69 mm) K046523K50

SL7...
SM7...

MB ACTROS / AXOR
MPIII / MPIV



TTT No	Description	Pcs.
15816	Thrust Part With Bellow - (69 mm)	x 2
17782	Shaft Housing Boot	x 2
15946	Bush - Ø 15 x 17 / 8 mm	x 2
15707	Grease (White) - 5 g	x 1

15938 Caliper Tappet Set (69 mm)

SL7...
SM7...
ST7...

MB ACTROS / AXOR
MPIII / MPIV
SCHMITZ TRAILER



TTT No	Description	Pcs.
15816	Thrust Part With Bellow - (69 mm)	x 2
15946	Bush - Ø 15 x 17 / 8 mm	x 2
15707	Grease (White) - 5 g	x 1

15939 Caliper Tappet & Boot Set (69 mm)

SL7...
SM7...
ST7...

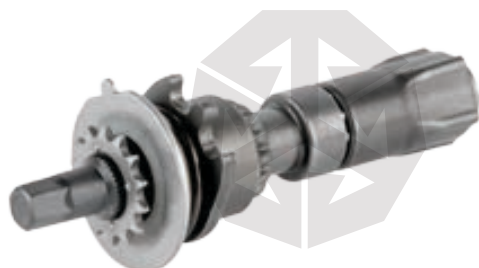
MB ACTROS / AXOR
MPIII / MPIV
SCHMITZ TRAILER



TTT No	Description	Pcs.
15816	Thrust Part With Bellow - (69 mm)	x 1
14518	Shaft Housing Boot	x 1
15946	Bush - Ø 15 x 17 / 8 mm	x 1
15707	Grease (White) - 5 g	x 1

13471 Adjusting Mechanism Shaft

SL7...
SM7...
ST7...



17792 Adjusting Mechanism Shaft

SL7...
SM7...
ST7...



15909 Caliper Calibration Bolt
(3 Thread)

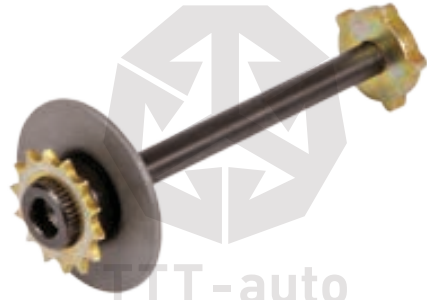
SL7...
SM7...
ST7...



TTT - auto

16509 Pinion Shaft

SL7...
SM7...
ST7...



TTT - auto

13472 Pinion Shaft

SL7...
SM7...



TTT - auto

16531 Pinion Shaft

SL7...
SM7...



TTT - auto

16567 Pinion Shaft

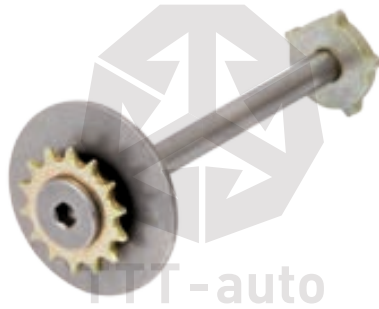
SL7...
SM7...



TTT - auto

16579 Pinion Shaft

SL7...
SM7...



TTT - auto

13505 Caliper Mechanism Gear

SL7...
SM7...
ST7...



TTT - auto

13508 Calibration Shaft Chain

SL7...
SM7...
ST7...



TTT - auto

16623 Shaft Housing Set

SL7...
SM7...
ST7...



TTT No	Description	Pcs.
13503	Shaft Housing Assembly	x 1
15909	Calibration Bolt - (3 Thread)	x 2

13503 Shaft Housing Assembly

SL7...
SM7...
ST7...

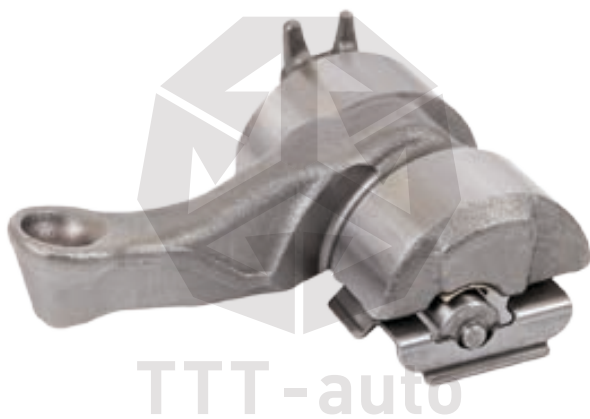


TTT No	Description	Pcs.
15653	Shaft Housing	x 1
14656	Shaft Housing Spring	x 1

16640 Caliper Lever

SL7...
SM7...

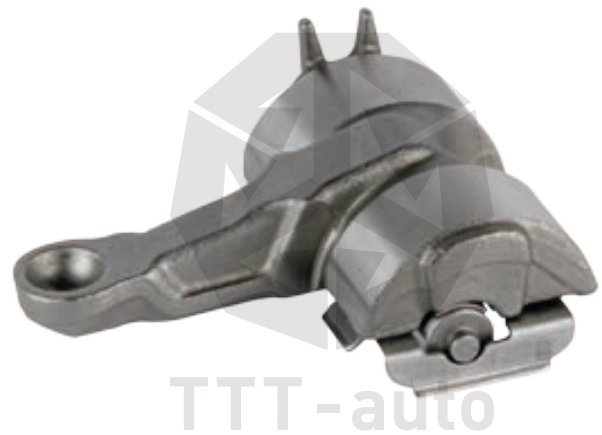
MB ACTROS / AXOR
MPIII / MPIV



18002 Caliper Lever

ST7...

SCHMITZ TRAILER



16769 Needle Bearing Set

SL7...
SM7...
ST7...

MB ACTROS / AXOR
MPIII / MPIV
SCHMITZ TRAILER



TTT No	Description	Pcs.
15783	Needle Bearing	x 2

15707 Grease (White) - For Brass Bush



15718 Grease (Green) - For Rubber Bush



16450 Caliper Complete Mechanism Repair Kit

SL7...
SM7...

MB ACTROS / AXOR
MPIII / MPIV



TTT No	Description	Pcs.				
15888	Caliper Tappet & Boot Set - (69 mm)	x	1	13471	Adjusting Mechanism Shaft	x 1
13503	Shaft Housing Assembly	x	1	16509	Pinion Shaft	x 1
16640	Caliper Lever	x	1	15909	Calibration Bolt - (3 Thread)	x 2
16769	Needle Bearing Set	x	1	15707	Grease (White) - 5 g	x 1
13508	Calibration Shaft Chain	x	1			

18001 Caliper Complete Mechanism Repair Kit

ST7...

SCHMITZ TRAILER



TTT No	Description	Pcs.				
15888	Caliper Tappet & Boot Set - (69 mm)	x	1	13471	Adjusting Mechanism Shaft	x 1
13503	Shaft Housing Assembly	x	1	16509	Pinion Shaft	x 1
18002	Caliper Lever	x	1	15909	Calibration Bolt - (3 Thread)	x 2
16769	Needle Bearing Set	x	1	15707	Grease (White) - 5 g	x 1
13508	Calibration Shaft Chain	x	1			

14564 Caliper Cover

SM7...
ST7...

MB ACTROS / AXOR
MPIII / MPIV
Front
SCHMITZ TRAILER



TTT-auto

17377 Caliper Cover

SL7...

MB ACTROS / AXOR
MPIII / MPIV
Rear



TTT-auto

Plastic Cover

SL7...
SM7...



TTT-auto

16014 Without Sensor

MB ACTROS/AXOR

16015 With 2 Wires Sensor

MB AXOR

13506 With 3 Wires Sensor

MB ACTROS/AXOR

16686 With 3 Wires Sensor - MAN Type

MAN TGA

Plastic Cover

ST7...



TTT-auto

19086 Without Sensor

SCHMITZ TRAILER

16012 Plastic Cover Gasket

SL7...
SM7...
ST7...



TTT-auto

16834 Plastic Cover Seal Set

SL7...
SM7...

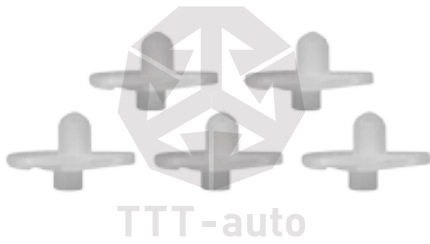


TTT-auto

TTT No	Description	Pcs.
16013	Plastic Cover Seal	x 5

16835 Plastic Gear Shaft Set

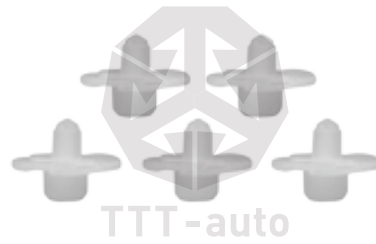
SL7...
SM7...



TTT No	Description	Pcs.
14901	Plastic Gear Shaft	x 5

17680 Plastic Gear Shaft Set

SL7...
SM7...



TTT No	Description	Pcs.
17681	Plastic Gear Shaft - 9 mm	x 5

17662 Plastic Gear Shaft Set

SL7...
SM7...



TTT No	Description	Pcs.
17663	Plastic Gear Shaft	x 5

14670 Adjusting Mechanism Cap Set K00029

SL7...
SM7...



TTT No	Description	Pcs.
14669	Adjusting Mechanism Cap - Ø 38 mm	x 10
13509	Adjusting Mechanism Adapter	x 10

17989 Caliper Pin Rubber Cap Set

SL7...
SM7...



TTT No	Description	Pcs.
17950	Caliper Pin Rubber Cap	x 5

17895 Caliper Pin Rubber Cap Set

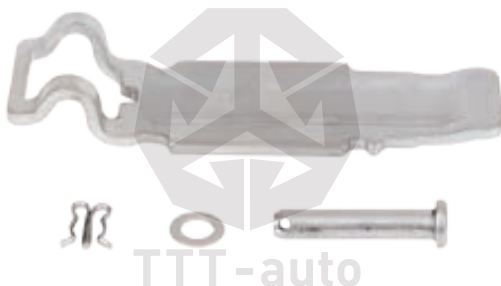
SL7...
SM7...



TTT No	Description	Pcs.
17664	Caliper Pin Rubber Cap	x 5

16676 Brake Pad Retainer Repair Kit K000133

SL7...
SM7...
ST7...



15771 Caliper Head Sealing Plug Set

SL7...
SM7...
ST7...



TTT No	Description	Pcs.
15758	Head Sealing Plug	x 5

19008 Caliper Complete Repair Kit - (Without Lever)

SL7...

MB ACTROS / AXOR
MPIII / MPV
Rear



TTT No	Description	Pcs.			
14750	Caliper Pin Repair Kit	x 1	13471	Adjusting Mechanism Shaft	x 1
15888	Caliper Tappet & Boot Set - (69 mm)	x 1	16509	Pinion Shaft	x 1
13503	Shaft Housing Assembly	x 1	15909	Calibration Bolt - (3 Thread)	x 2
16769	Needle Bearing Set	x 1	17377	Caliper Cover	x 1
13508	Calibration Shaft Chain	x 1	15707	Grease (White) - 5 g	x 1

19009 Caliper Complete Repair Kit - (Without Lever)

SM7...

MB ACTROS / AXOR
MPIII / MPV
Front



TTT No	Description	Pcs.			
14750	Caliper Pin Repair Kit	x 1	13471	Adjusting Mechanism Shaft	x 1
15888	Caliper Tappet & Boot Set - (69 mm)	x 1	16509	Pinion Shaft	x 1
13503	Shaft Housing Assembly	x 1	15909	Calibration Bolt - (3 Thread)	x 2
16769	Needle Bearing Set	x 1	14564	Caliper Cover	x 1
13508	Calibration Shaft Chain	x 1	15707	Grease (White) - 5 g	x 1

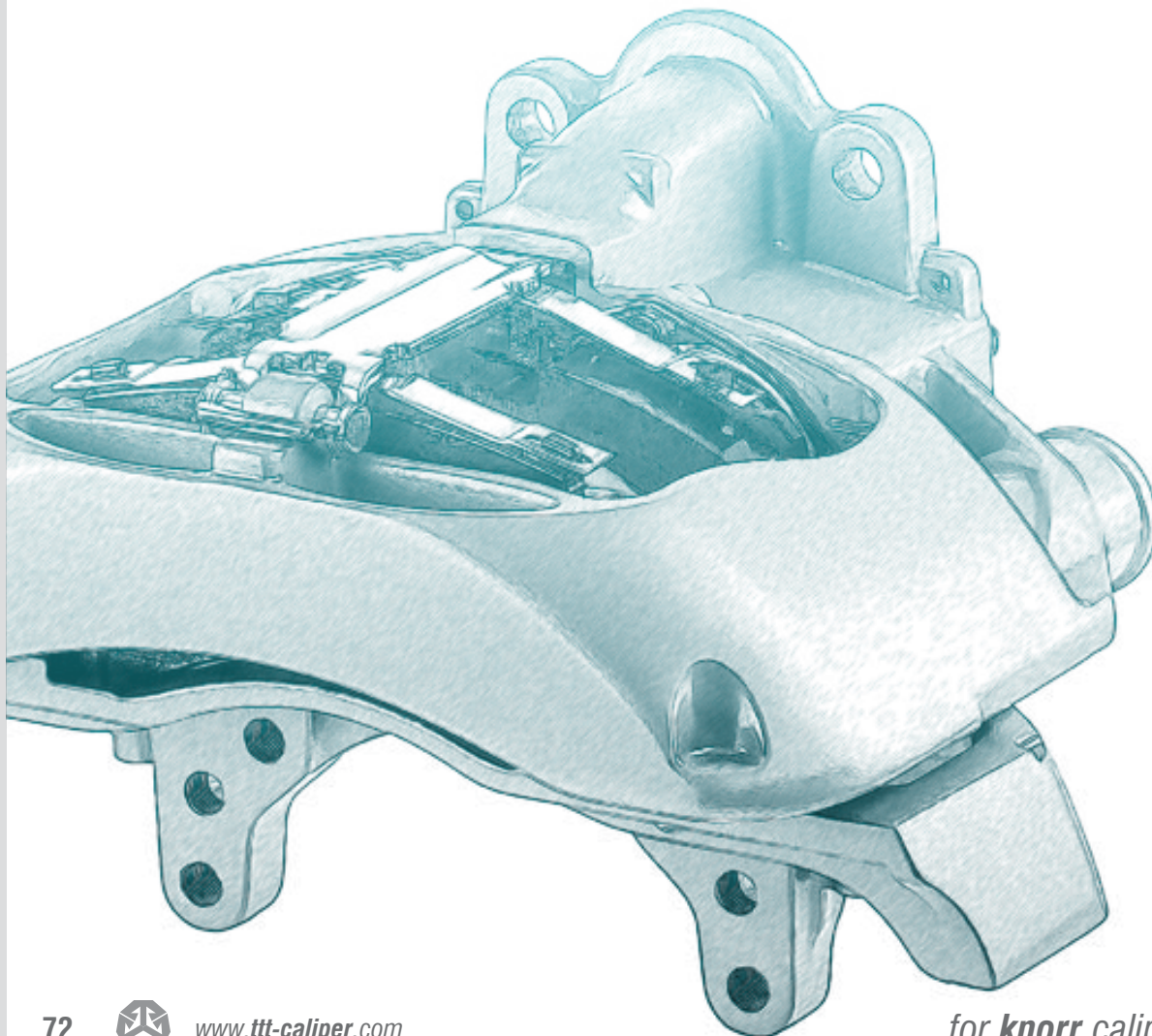
19018 Caliper Complete Repair Kit - (Without Lever)

ST7...

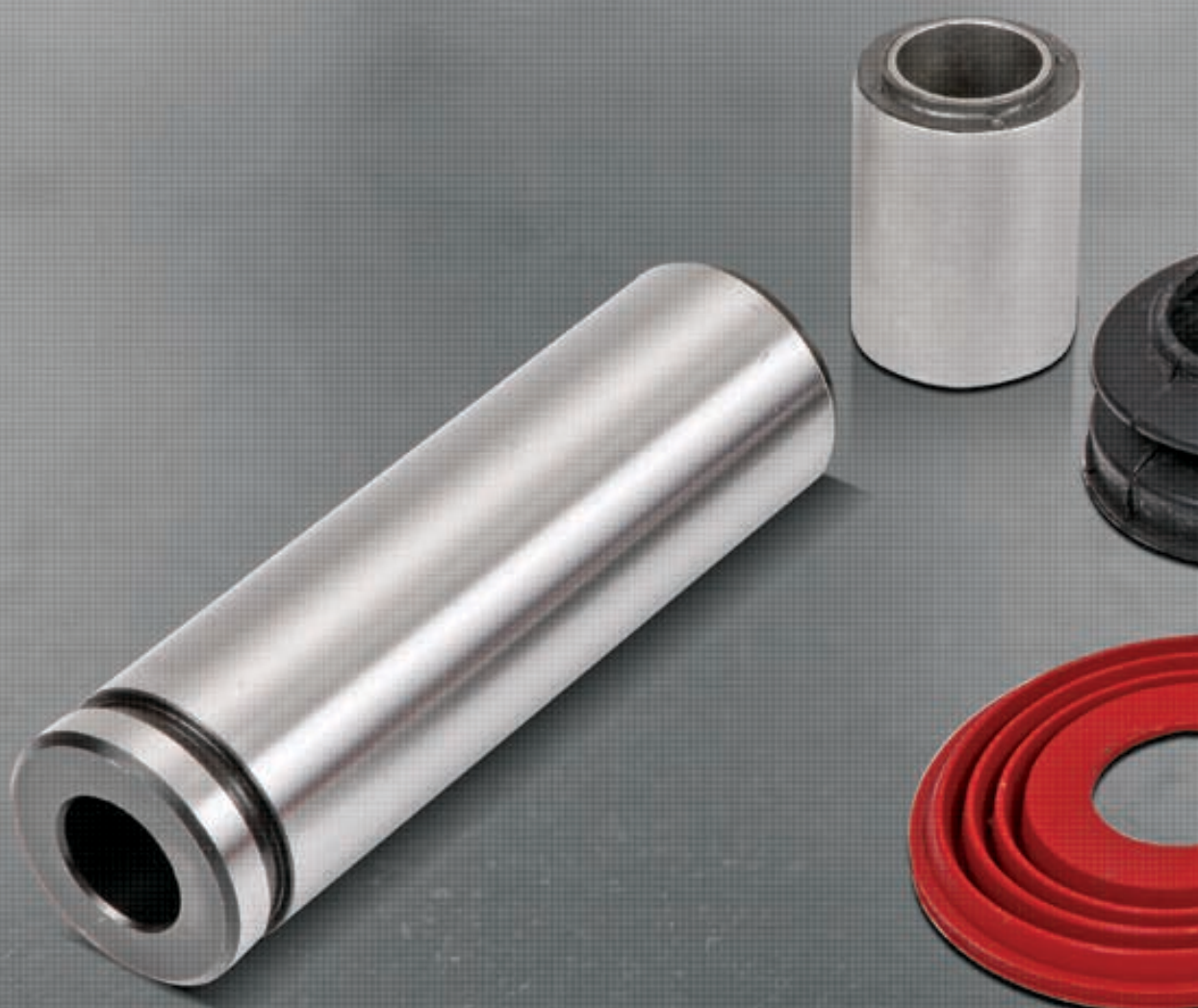
SCHMITZ TRAILER



TTT No	Description	Pcs.				
18747	Caliper Pin Repair Kit	x	1	13471	Adjusting Mechanism Shaft	x 1
15888	Caliper Tappet & Boot Set - (69 mm)	x	1	16509	Pinion Shaft	x 1
13503	Shaft Housing Assembly	x	1	15909	Calibration Bolt - (3 Thread)	x 2
16769	Needle Bearing Set	x	1	14564	Caliper Cover	x 1
13508	Calibration Shaft Chain	x	1	15707	Grease (White) - 5 g	x 1



Bendix



17505 Caliper Pin Repair Kit

381.391
93161189

ADB 3700
ADB 4300

NECO EUROARGO



TTT No	Description	Pcs.
17506	Caliper Pin - Ø 45 / 150 mm	x 1
17507	Caliper Pin - Ø 24 / 92 mm	x 1
17518	Pin Bolt - M22 x 1.5 / 175 mm	x 1
17519	Pin Bolt - M16 x 1.5 / 124 mm	x 1
17537	Bush - Ø 50 x 45 / 40 mm	x 2
17538	Rubber Bush - Ø 38 x 24 / 55 mm	x 1
15707	Grease (White) - 5 g	x 2

14939 Caliper Boot & Ring Set

381.413
93161192

ADB 3700
ADB 4300

NECO EUROARGO



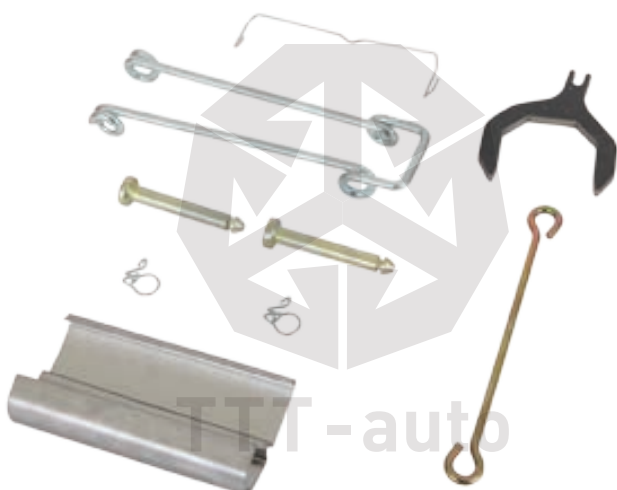
TTT No	Description	Pcs.
15089	Tappet Boot	x 1
15085	Pin Boot - (Big)	x 2
15086	Pin Boot - (Small)	x 2
15097	Pin Boot Ring - (Big)	x 2
15098	Pin Boot Ring - (Small)	x 2
15099	Washer	x 1
15073	Plastic Washer	x 1

19060 Brake Pad Retainer Kit

381.419
93161560

ADB 3700
ADB 4300

NECO EUROARGO
NECO EUROTCH



TTT No	Description	Pcs.
19061	Pad Spring	x 1
19062	Clamping Element	x 1
19063	Buckle	x 1
19064	Bar	x 1
19065	Adjusting Tool	x 1
19066	Bolt	x 2
19067	Clip	x 2

19075 Brake Pad Retainer Bolt Kit

I133692
93161843

NECO EUROARGO



TTT No	Description	Pcs.
19066	Bolt	x 4
19067	Clip	x 4

15707 Grease (White) - For Brass Bush



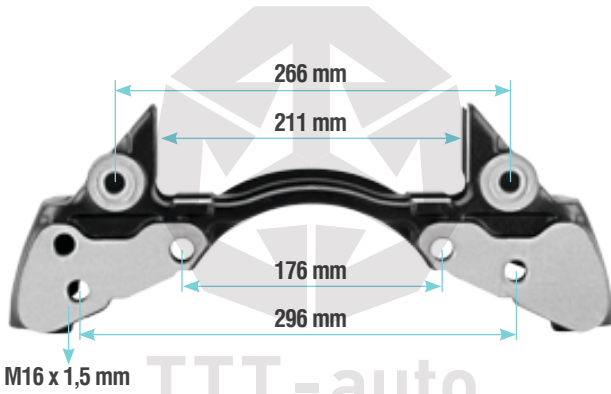


KNORR CARRIERS

www.ttt-caliper.com

20185 Caliper Carrier - 19.5" - Left SB6...
K004206

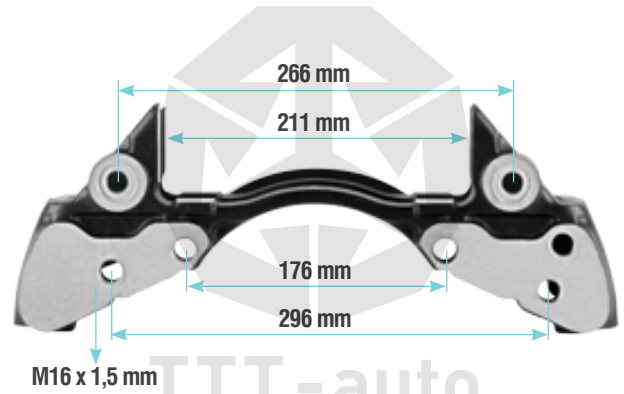
BPW Axle



TTT - auto

20186 Caliper Carrier - 19.5" - Right SB6...
K001497

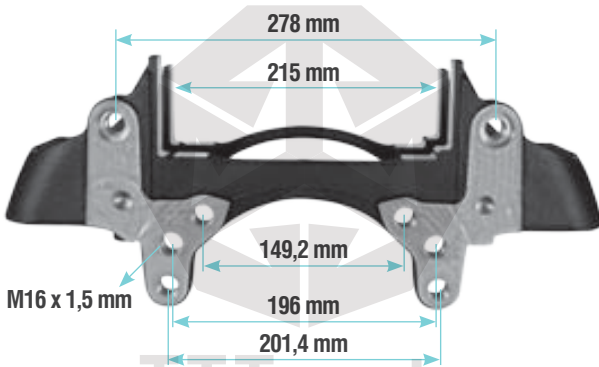
BPW Axle



TTT - auto

20190 Caliper Carrier - 22.5" SB7...
K001521

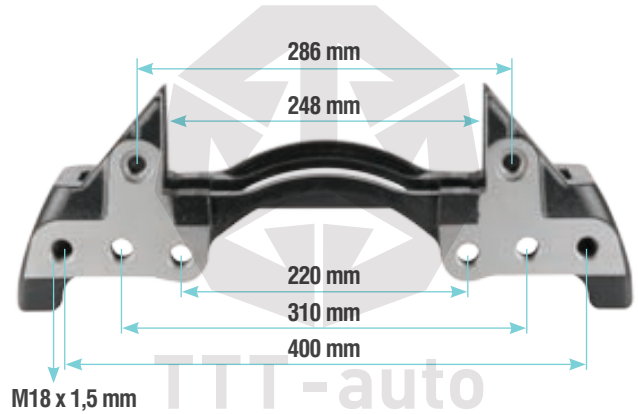
SCHMITZ TRAILER



TTT - auto

20199 Caliper Carrier - 22.5" SB7...
SN7...

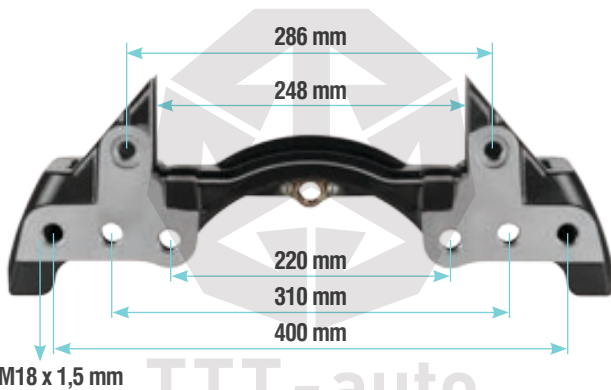
BPW Axle



TTT - auto

20200 Caliper Carrier - 22.5" SB7...
K001505
II197270061

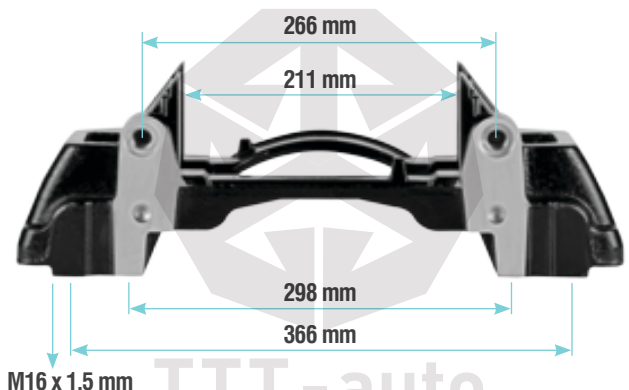
BPW Axle



TTT - auto

20201 Caliper Carrier - 22.5" SK7...
K012619

BPW Axle

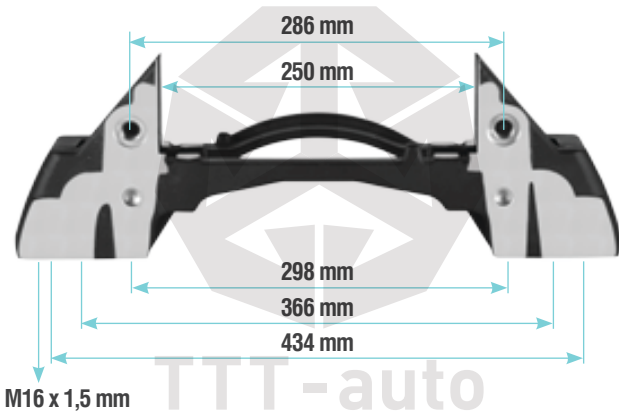


TTT - auto

20202 Caliper Carrier - 22.5 “
K004680

SN7...

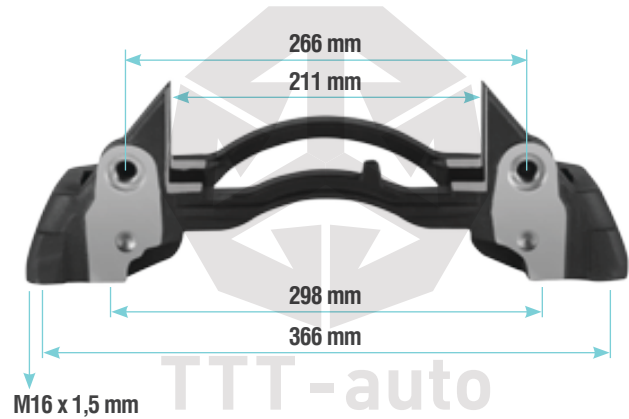
BPW Axle



20205 Caliper Carrier - 19.5 “
K004679

SN6...

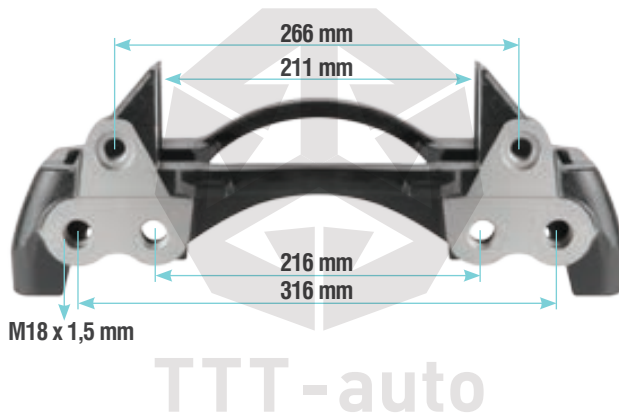
BPW Axle



20208 Caliper Carrier - 19.5 “
K015378

SN6...

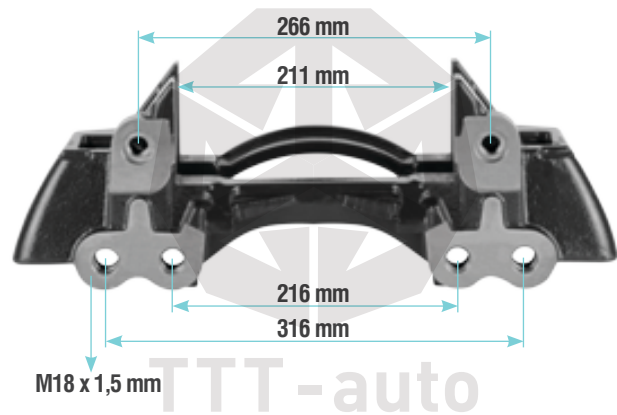
SAF Axle



20209 Caliper Carrier - 22.5 “
K015308

SK7...

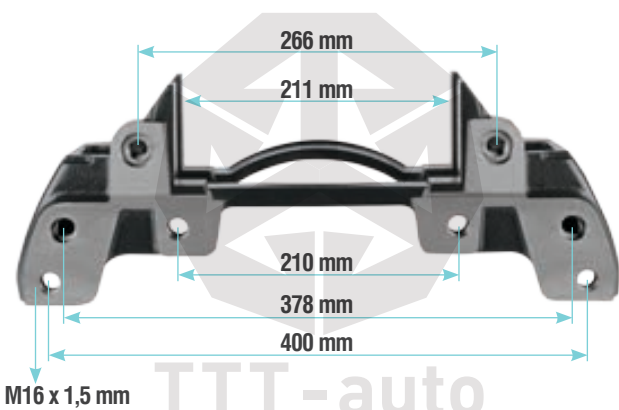
SAF Axle



20210 Caliper Carrier - 22.5 “
K004099

SK7...

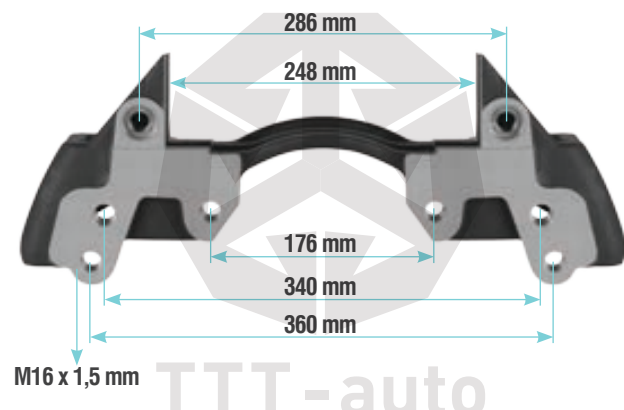
BPW Axle
SAF Axle



20211 Caliper Carrier - 22.5 “
K001275

SN7...

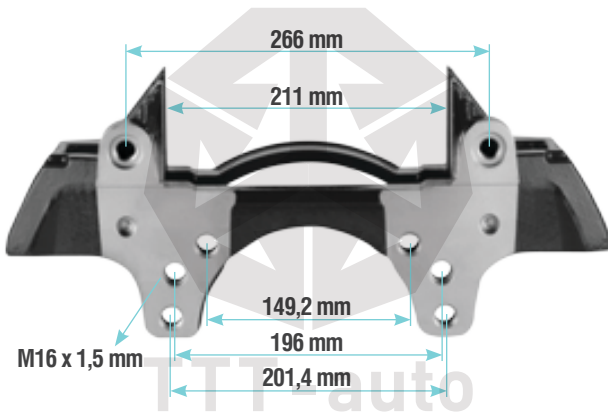
MB TRAILER Axle



20212 Caliper Carrier - 22.5 “
K007475

SK7...

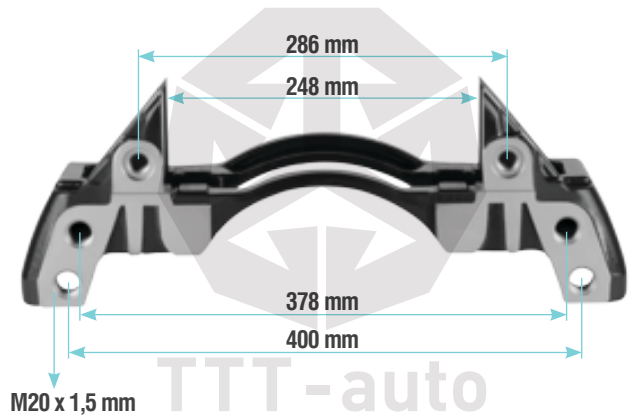
SCHMITZ TRAILER



20213 Caliper Carrier - 22.5 “
K001525

SB7...
SN7...

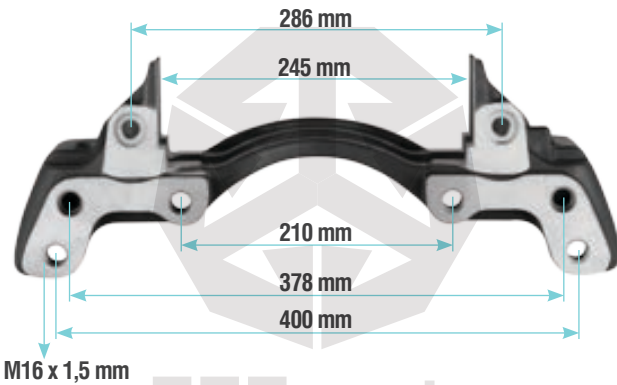
SMB Axle



20214 Caliper Carrier - 22.5 “

SN7...

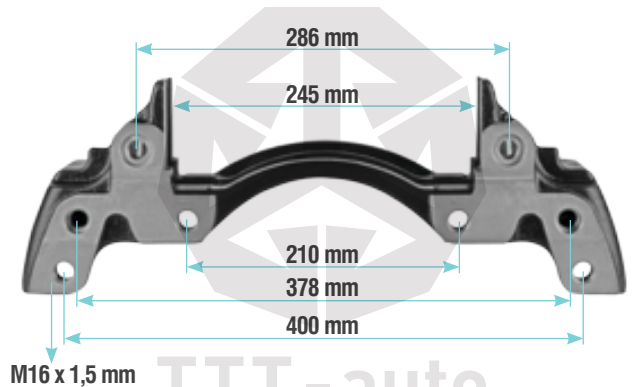
MB 4140 Front



20215 Caliper Carrier - 22.5 “
K046498K50

SM7...

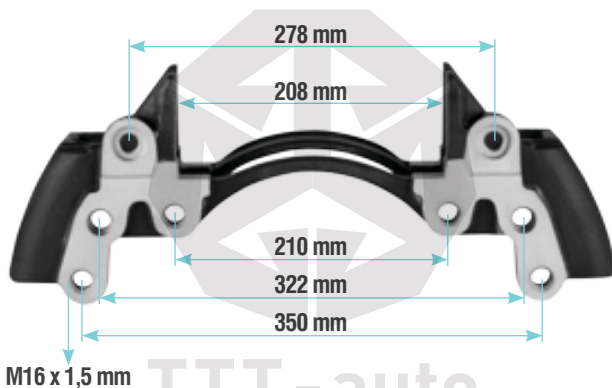
MB ACTROS / AXOR
MPIII / MPIV
Front



20216 Caliper Carrier - 22.5 “
K052379K50

SL7...

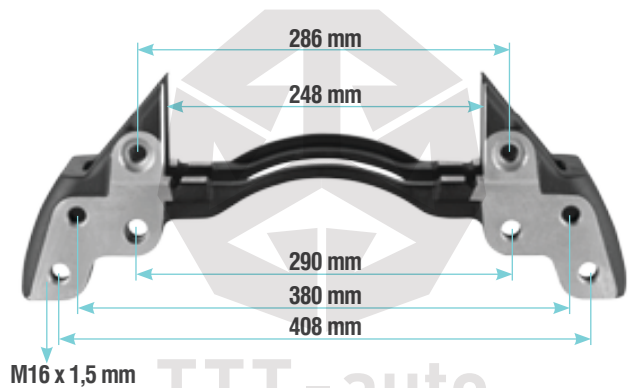
MB ACTROS / AXOR
MPIII / MPIV
Rear



20217 Caliper Carrier - 22.5 “ - Left
K001529

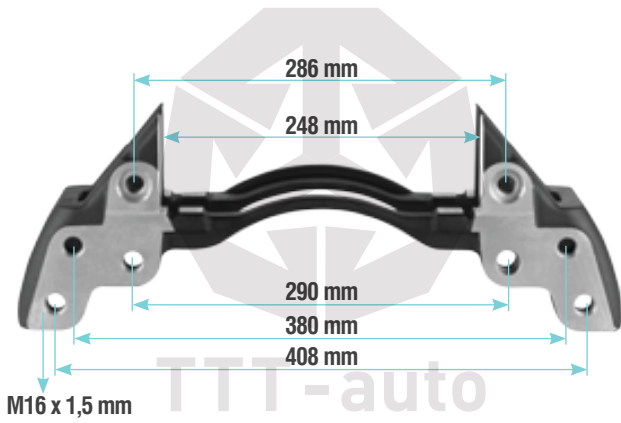
SB7...
SN7...

MB CONNECTO



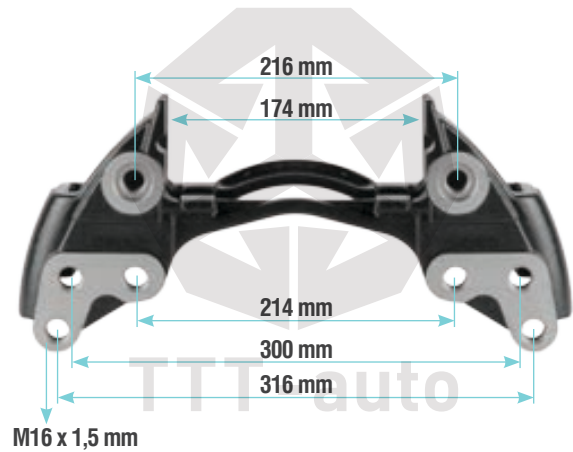
20218 Caliper Carrier - 22.5 " - Right SB7...
K001530 SN7...

MB CONNECTO



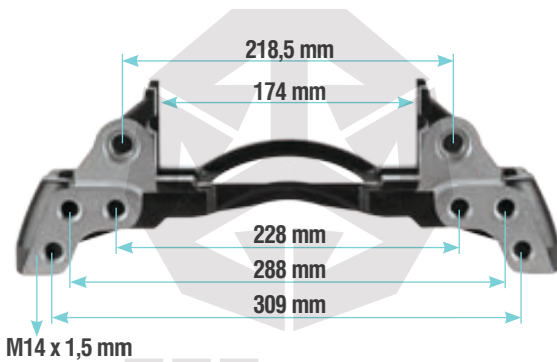
20219 Caliper Carrier - 17.5 " SB5...
K000358

MB ATEGO



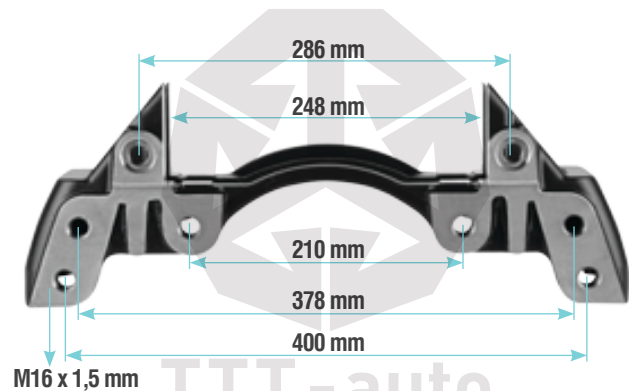
20220 Caliper Carrier - 17.5 " SN5...
K005606

MAN TGL



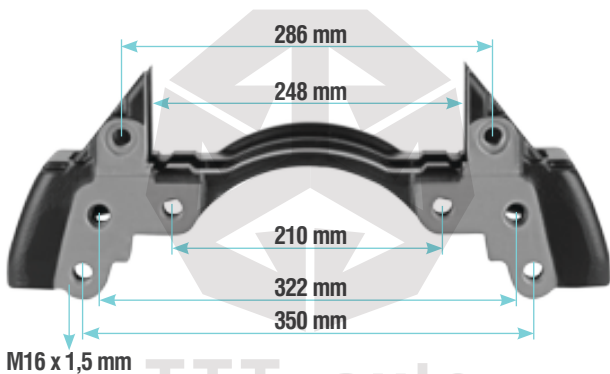
20221 Caliper Carrier - 22.5 " SB7...
K000026 SN7...

MB AXOR



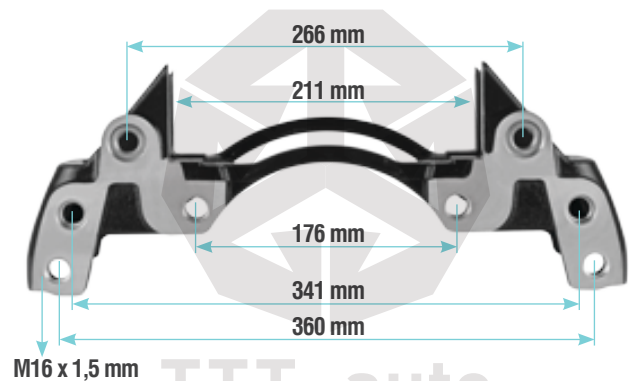
20222 Caliper Carrier - 22.5 " SB7...
K000027 SN7...

MB ACTROS



20223 Caliper Carrier - 19.5 " SB6...
K000690 SN6...
K001926

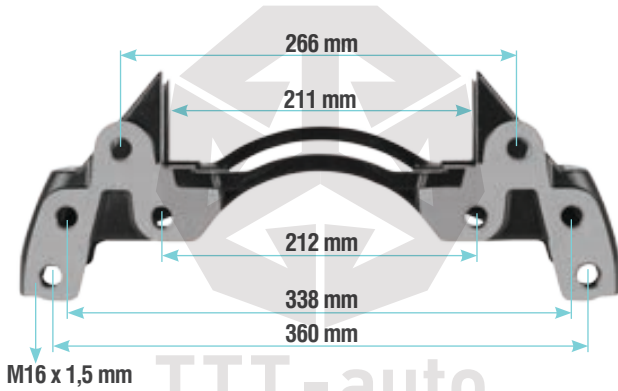
MB ATEGO
SAF Axle



20224 Caliper Carrier - 19.5 “
K001105
K002979

SB6...
SN6...

BPW Axle

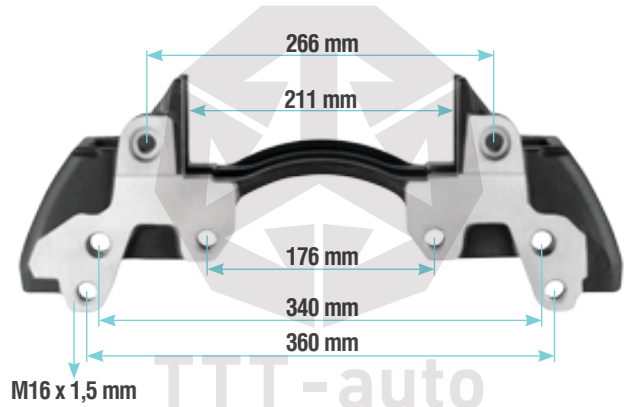


TTT - auto

20225 Caliper Carrier - 19.5 “

SN6...

MB AXOR

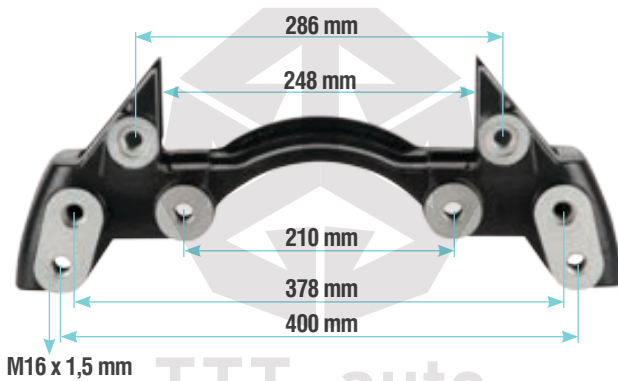


TTT - auto

20226 Caliper Carrier - 22.5 “
K000028

SB7...
SN7...

MB AXOR

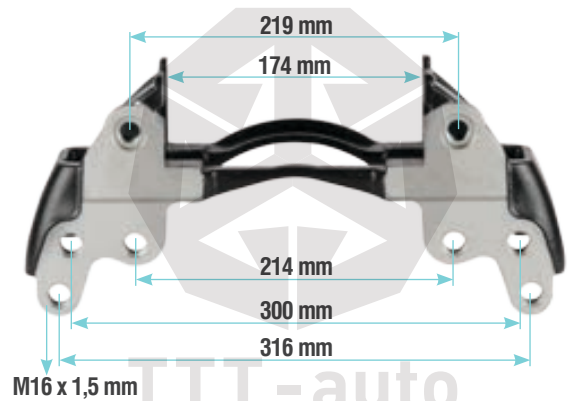


TTT - auto

20227 Caliper Carrier - 17.5 “
K001927

SN5...

MB ATEGO

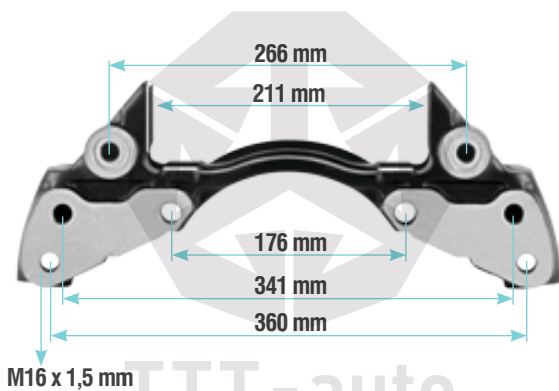


TTT - auto

20228 Caliper Carrier - 19.5 “
K001494
II328040061

SB6...

MB ATEGO

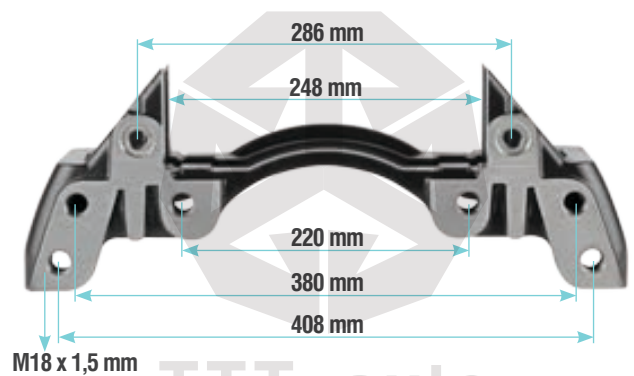


TTT - auto

20230 Caliper Carrier - 22.5 “
K001278

SB7...
SN7...

MAN TGA

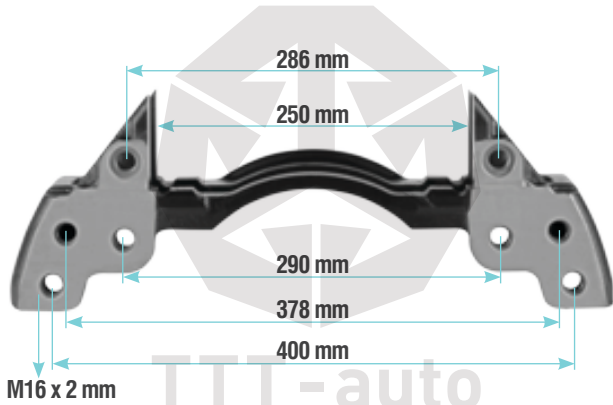


TTT - auto

20231 Caliper Carrier - 22.5 "

SB7...
SN7...

DAF

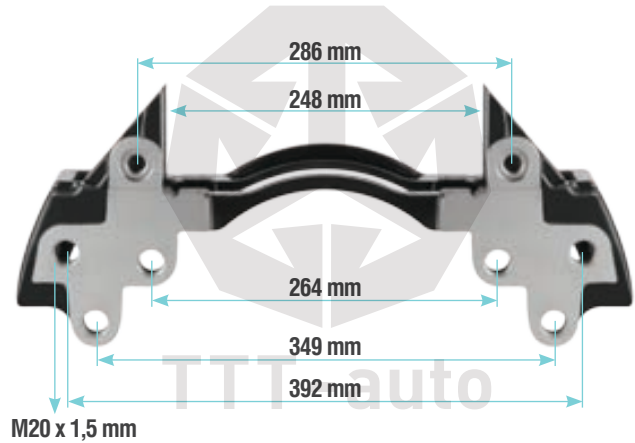


20232 Caliper Carrier - 22.5 "

SB7...
SN7...

IVECO

K001510
K108814K50
II322030061

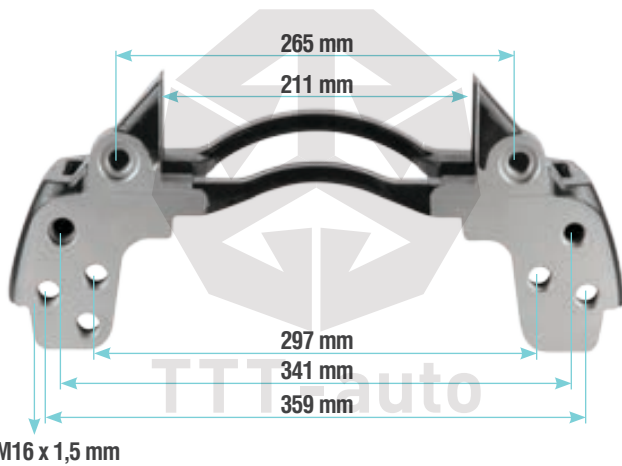


20233 Caliper Carrier - 19.5 " - Left

SN6...

IVECO

K002313

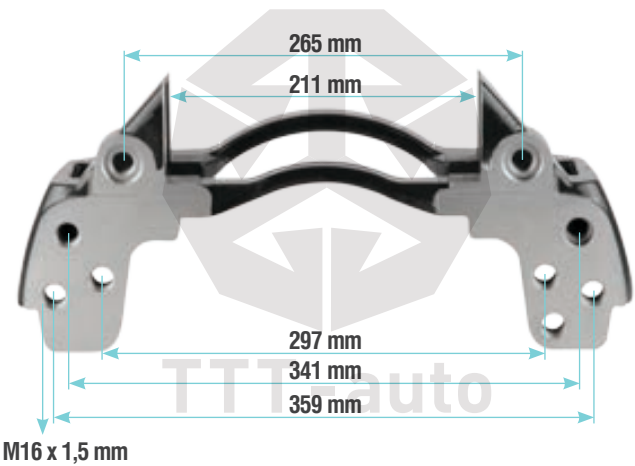


20234 Caliper Carrier - 19.5 " - Right

SN6...

IVECO

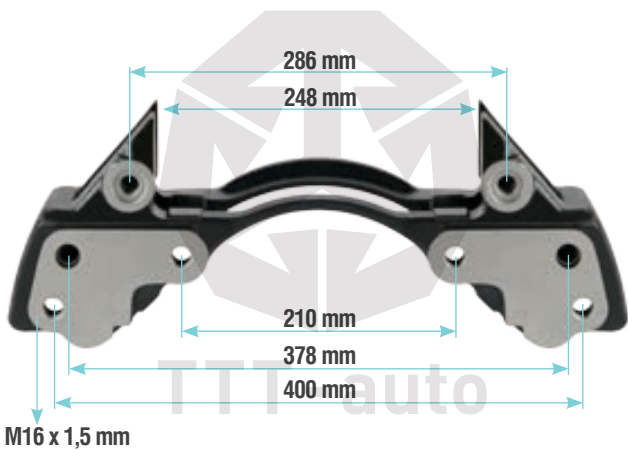
K002314



20235 Caliper Carrier - 22.5 "

SB7...

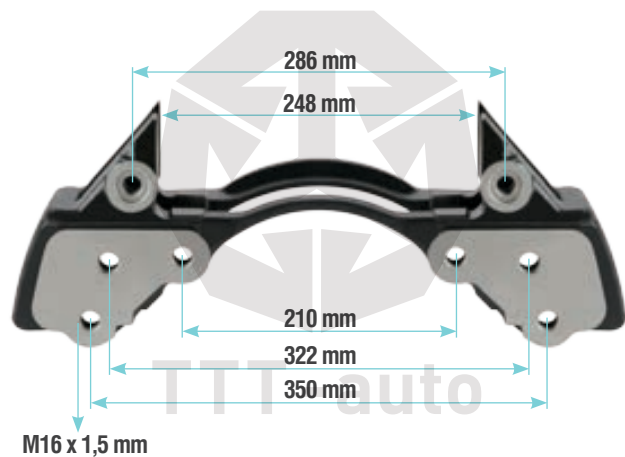
MERCEDES Front



20236 Caliper Carrier - 22.5 "

SB7...

MERCEDES Rear

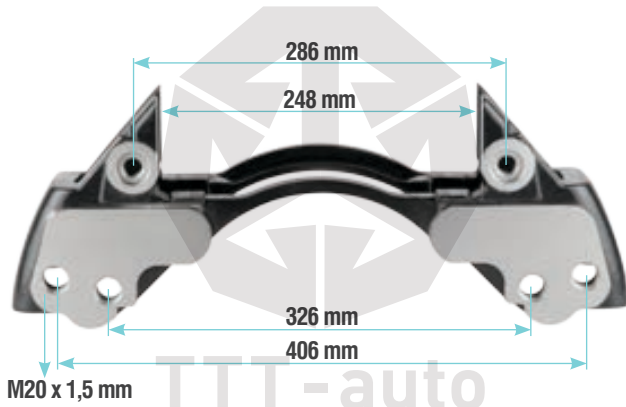


20237 Caliper Carrier - 22.5 "

K001502
II189250061
II304010061

SB7...
SN7...

MERCEDES

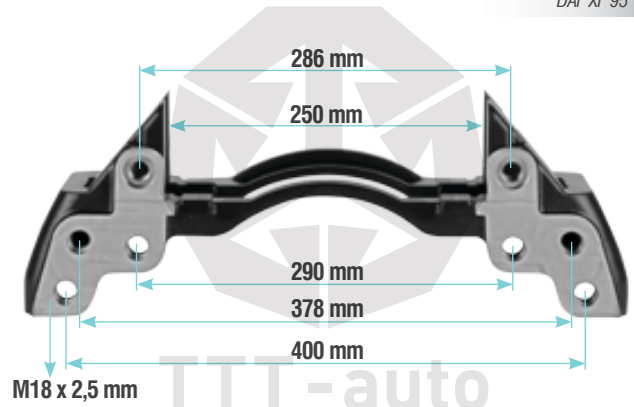


20241 Caliper Carrier - 22.5 "

K001528
K011479

SB7...
SN7...

DAF LF 55
DAF CF 65/75/85
DAF XF 95

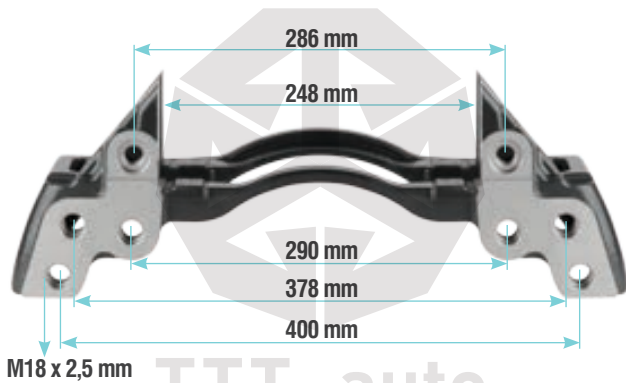


20242 Caliper Carrier - 22.5 "

K001507
K001520
II197370061
II334320061

SB7...
SN7...

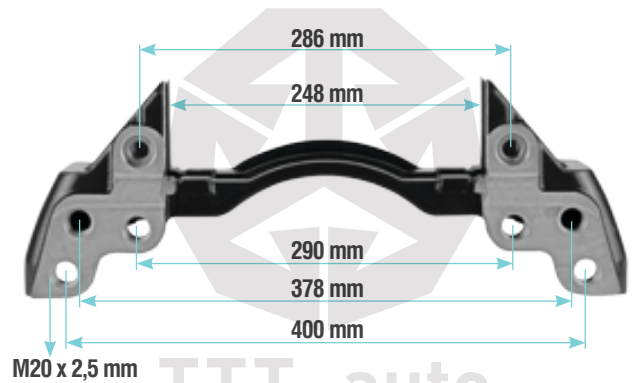
SCANIA 4 Series



20244 Caliper Carrier - 22.5 "

SB7...
SN7...

DAF
SCANIA 4 Series

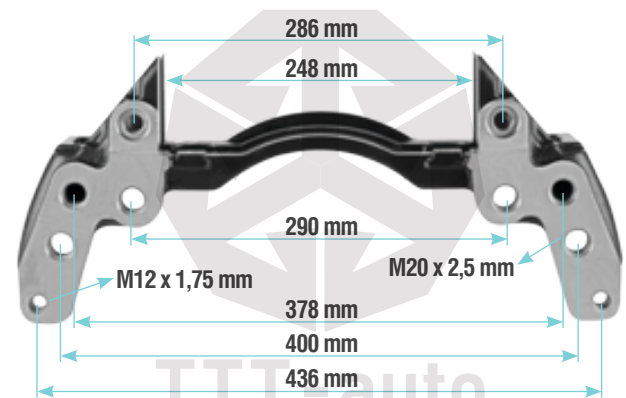


20245 Caliper Carrier - 22.5 "

K001919
K010765

SB7...
SN7...

SCANIA 4 Series



www.ttt-caliper.com



◀ MERITOR



for **meritor** caliper

15405 Caliper Pin Repair Kit

ELSA 2

MCK1140
MCK1243

MAN TGA/TGS/TGX/TGL
MAN L/M/F 2000
RENAULT PREMIUM /PR
RENAULT MAGNUM E-TECH
RENAULT MIDLUM/PUNCHER
MAN BUS LION'S CITY
NEOPLAN CENTROLINER
VOLVO BUS B7L



TTT No	Description	Pcs.
14598	Caliper Pin - Ø 35 / 144 mm	x 1
14599	Caliper Pin - Ø 31 / 84 mm	x 1
14685	Pin Bolt - M18 x 1.5 / 150 mm	x 1
14686	Pin Bolt - M18 x 1.5 / 90 mm	x 1
14601	Oval Bush - Ø 31-33 x 42 / 30 mm	x 1
14602	Round Bush - Ø 35 x 39 / 30 mm	x 2
14689	Ring - Ø 37 x 42 / 14 mm	x 2
14763	Pin Cap - Ø 45 / 28 mm	x 2
14769	Bolt - M10 x 1.25 / 20 mm	x 1
14766	Bolt - M16 x 1.5 / 40 mm	x 4
14640	Pin Boot	x 2
15707	Grease (White) - 5 g	x 1

14712 Caliper Boot & Pin Repair Kit

ELSA 2



TTT No	Description	Pcs.
14598	Caliper Pin - Ø 35 / 144 mm	x 1
14599	Caliper Pin - Ø 31 / 84 mm	x 1
14685	Pin Bolt - M18 x 1.5 / 150 mm	x 1
14686	Pin Bolt - M18 x 1.5 / 90 mm	x 1
13487	Rubber Bush - Ø 31-32 x 42 / 45 mm	x 1
14602	Round Bush - Ø 35 x 39 / 30 mm	x 2
14689	Ring - Ø 37 x 42 / 14 mm	x 1
14763	Pin Cap - Ø 45 / 28 mm	x 2
14766	Bolt - M16 x 1.5 / 40 mm	x 4
14640	Pin Boot	x 2
14710	Tappet Boot	x 2
15718	Grease (Green) - 8 g	x 1

14716 Caliper Pin Repair Kit

ELSA 2

MCK1289



TTT No	Description	Pcs.
14598	Caliper Pin - Ø 35 / 144 mm	x 1
14599	Caliper Pin - Ø 31 / 84 mm	x 1
14685	Pin Bolt - M18 x 1.5 / 150 mm	x 1
14686	Pin Bolt - M18 x 1.5 / 90 mm	x 1
13487	Rubber Bush - Ø 31-32 x 42 / 45 mm	x 1
14602	Round Bush - Ø 35 x 39 / 30 mm	x 2
14689	Ring - Ø 37 x 42 / 14 mm	x 1
14763	Pin Cap - Ø 45 / 28 mm	x 2
14766	Bolt - M16 x 1.5 / 40 mm	x 4
14640	Pin Boot	x 2
15718	Grease (Green) - 8 g	x 1

13479 Caliper Boot & Pin Repair Kit

ELSA 2



TTT No	Description	Pcs.
14598	Caliper Pin - Ø 35 / 144 mm	x 1
14599	Caliper Pin - Ø 31 / 84 mm	x 1
13487	Rubber Bush - Ø 31-32 x 42 / 45 mm	x 1
14602	Round Bush - Ø 35 x 39 / 30 mm	x 2
14689	Ring - Ø 37 x 42 / 14 mm	x 1
14763	Pin Cap - Ø 45 / 28 mm	x 2
14710	Tappet Boot	x 2
14640	Pin Boot	x 2
15718	Grease (Green) - 8 g	x 1

13487 Caliper Pin Rubber Bush
Ø 31-32 x 42 / 45 mm

ELSA 2



14779 Caliper Pin Repair Kit

MCK1086

ELSA 2

RENAULT PREMIUM /TR/PR
RENAULT MAGNUM E-TECH



TTT No	Description	Pcs.
14781	Caliper Pin - Ø 35 / 126 mm	x 1
14782	Caliper Oval Pin - Ø 33-35 / 66 mm	x 1
14609	Pin Bolt - M20 x 1.5 / 150 mm	x 1
14610	Pin Bolt - M20 x 1.5 / 90 mm	x 1
14602	Round Bush - Ø 35 x 39 / 30 mm	x 3
14762	Ring - Ø 35 x 43 / 2.5 mm	x 2
14763	Pin Cap - Ø 45 / 28 mm	x 2
14769	Bolt - M10 x 1.25 / 20 mm	x 1
14766	Bolt - M16 x 1.5 / 40 mm	x 4
14640	Pin Boot	x 2
15707	Grease (White) - 5 g	x 1

14788 Caliper Boot & Pin Repair Kit

ELSA 2



TTT No	Description	Pcs.
14781	Caliper Pin - Ø 35 / 126 mm	x 1
14782	Caliper Oval Pin - Ø 33-35 / 66 mm	x 1
14609	Pin Bolt - M20 x 1.5 / 150 mm	x 1
14610	Pin Bolt - M20 x 1.5 / 90 mm	x 1
14602	Round Bush - Ø 35 x 39 / 30 mm	x 3
14762	Ring - Ø 35 x 43 / 2.5 mm	x 2
14763	Pin Cap - Ø 45 / 28 mm	x 2
14769	Bolt - M10 x 1.25 / 20 mm	x 1
14766	Bolt - M16 x 1.5 / 40 mm	x 4
14640	Pin Boot	x 2
14710	Tappet Boot	x 2
15707	Grease (White) - 5 g	x 1

14740 Caliper Pin Bush Set

ELSA 2



TTT No	Description	Pcs.
14602	Round Bush - Ø 35 x 39 / 30 mm	x 10

15490 Caliper Pin Boot Set

ELSA 2



TTT No	Description	Pcs.
14640	Pin Boot	x 2

15707 Grease (White) - For Brass Bush



15718 Grease (Green) - For Rubber Bush



14849 Caliper Boot & Bolt Set MCK1244

ELSA 2



TTT No	Description	Pcs.
14766	Bolt - M16 x 1.5 / 40 mm	x 4
14763	Pin Cap - Ø 45 / 28 mm	x 2
14975	Rubber Cap	x 1
15576	Caliper Actuator Seal	x 1
14710	Tappet Boot	x 2
14640	Pin Boot	x 2
15575	O-ring	x 2

16249 Caliper Dust Cover Set MCK1088

ELSA 2



TTT No	Description	Pcs.
14710	Tappet Boot	x 2
14640	Pin Boot	x 2
15576	Caliper Actuator Seal	x 1
14975	Rubber Cap	x 1
15575	O-ring	x 2

16837 Caliper Pin Boot & Bolt Set MCK1087

ELSA 2



TTT No	Description	Pcs.
14766	Bolt - M16 x 1.5 / 40 mm	x 4
14769	Bolt - M10 x 1.25 / 20 mm	x 1
14763	Pin Cap - Ø 45 / 28 mm	x 2
14640	Pin Boot	x 2

18634 Caliper Mechanism Ring & Boot Repair Kit

ELSA 2

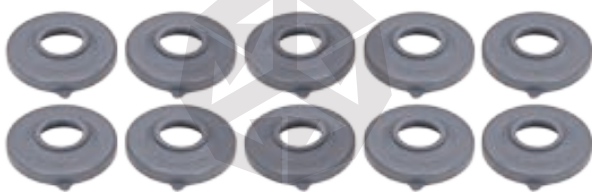


TTT No	Description	Pcs.
14710	Tappet Boot	x 2
14640	Pin Boot	x 2
13462	Gasket	x 1
18642	Center Plastic Ring	x 1
18643	Plastic Ring	x 2
15707	Grease (White) - 5 g	x 1

16863 Caliper Tappet Boot Set 68324854PK10

ELSA 2

VOLVO FH12 / FH16
VOLVO FM9 / FM12 / FMX
VOLVO FL6
ROR Axle LM / TA / TC



TTT No	Description	Pcs.
14710	Tappet Boot	x 10

14597 Caliper Tappet Boot Set MCK1139

ELSA 2

MAN TGA/TGS/TGX/TGL
MAN L/M/F 2000
MAN BUS LION'S CITY
NEOPLAN CENTROLINER
VOLVO FH12/FH16
VOLVO FM9/FM12
VOLVO BUS

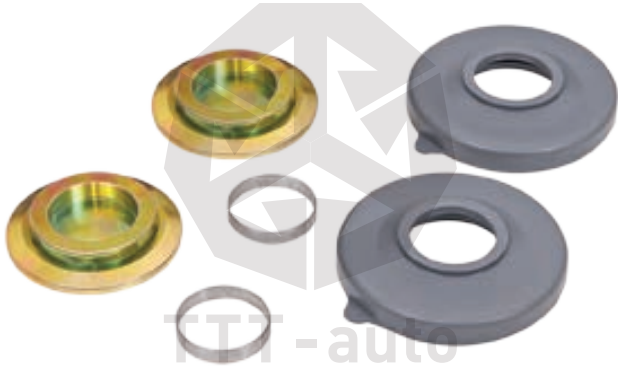


TTT No	Description	Pcs.
14710	Tappet Boot	x 2

15014 Caliper Tappet & Boot Set ELSA 2

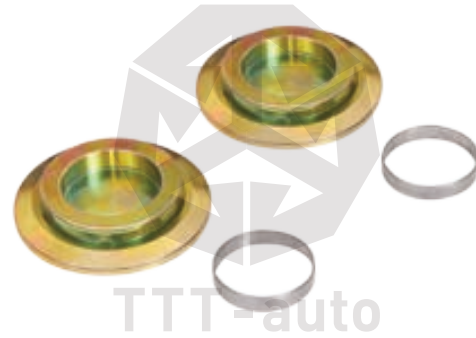
MCK1309

VOLVO FH12 / FH16
VOLVO FM9 / FM12
ROR Axle



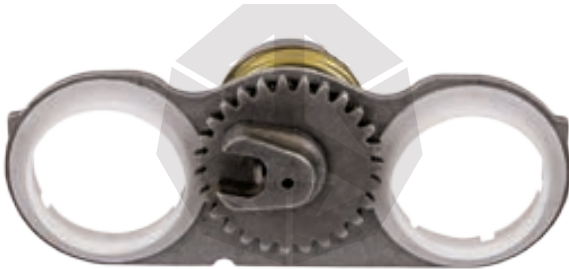
TTT No	Description		Pcs.
14710	Tappet Boot	x	2
15386	Tappet	x	2
15387	Ring	x	2

15406 Caliper Tappet Set ELSA 2



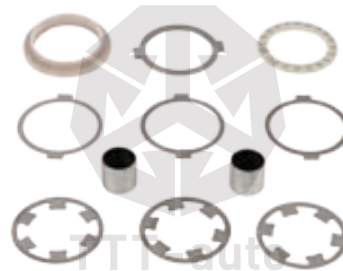
TTT No	Description		Pcs.
15386	Tappet	x	2
15387	Ring	x	2

13460 Caliper Adjusting Mechanism ELSA 2

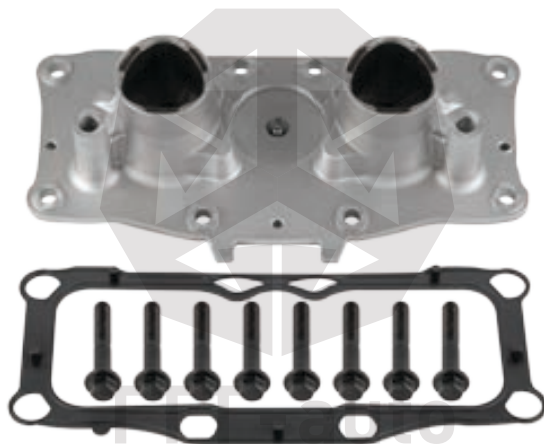


18630 Caliper Adjusting Mechanism ELSA 2

Repair Kit



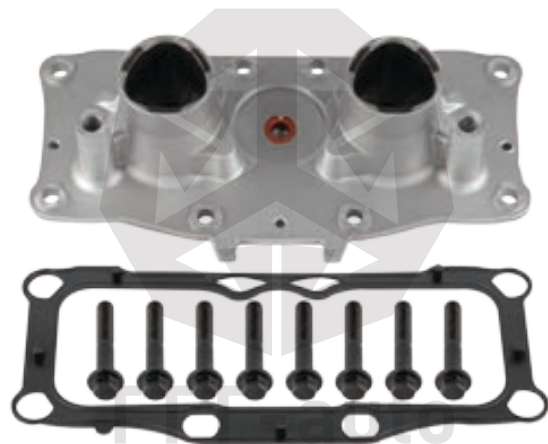
13486 Caliper Adjusting Mechanism Cap ELSA 2



TTT No	Description		Pcs.
15747	Mechanism Cap	x	1
15031	Caliper Gear Bush & Seal Set	x	1
13434	Bolt - M8 x 1.25 / 45 mm	x	8
13462	Gasket	x	1

16040 Caliper Adjusting Mechanism Cap ELSA 2

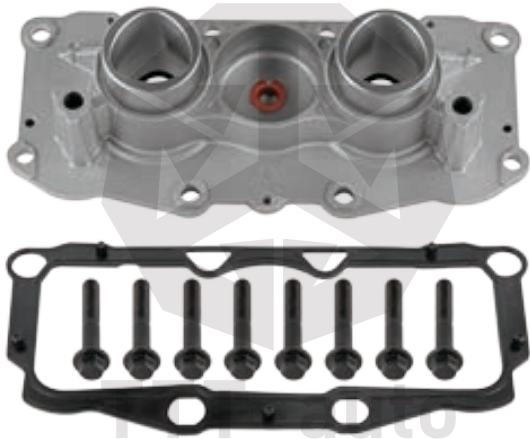
(With Bush)



TTT No	Description		Pcs.
16039	Mechanism Cap	x	1
15031	Caliper Gear Bush & Seal Set	x	1
13434	Bolt - M8 x 1.25 / 45 mm	x	8
13462	Gasket	x	1

16390 Caliper Adjusting Mechanism Cap

ELSA 2



TTT No	Description	Pcs.
16869	Mechanism Cap	x 1
13463	Seal	x 2
13434	Bolt - M8 x 1.25 / 45 mm	x 8
16407	Gasket	x 1

13462 Gasket

ELSA 2



TTT-auto

16407 Gasket

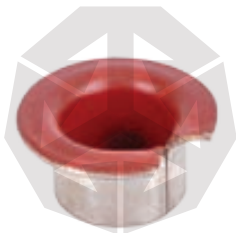
ELSA 2



TTT-auto

16038 Bush for Mechanism Cap

ELSA 2



TTT-auto

13461 Caliper Adjusting Gear Set

ELSA 2



TTT-auto

TTT No	Description	Pcs.
14884	Caliper Adjusting Mechanism Gear	x 2

15031 Caliper Gear Bush & Seal Set

ELSA 2



TTT-auto

TTT No	Description	Pcs.
13459	Tappet Boot Ring	x 2
13464	Gear Bush	x 2
13463	Seal	x 2

14646 Caliper Adjusting Mechanism Set

ELSA 2



TTT No	Description	Pcs.
13486	Caliper Adjusting Mechanism Cap	x 1
13460	Caliper Adjusting Mechanism	x 1
13461	Caliper Adjusting Gear Set	x 1
14597	Caliper Tappet Boot Set	x 1

16499 Caliper Adjusting Mechanism Set

ELSA 2



TTT No	Description	Pcs.
16390	Caliper Adjusting Mechanism Cap	x 1
13460	Caliper Adjusting Mechanism	x 1
13461	Caliper Adjusting Gear Set	x 1
14597	Caliper Tappet Boot Set	x 1

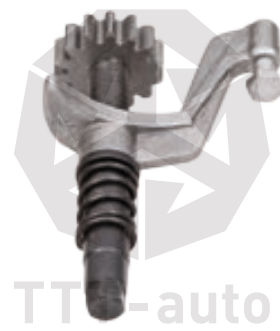
15467 Manual Adjusting Gear - L

ELSA 2



13467 Manual Adjusting Gear - R

ELSA 2



14850 Caliper Bearing Set SJ4112

ELSA 2

VOLVO FH12 / FH16
VOLVO FM9 / FM12 / FMX
VOLVO BUS B7 / B12



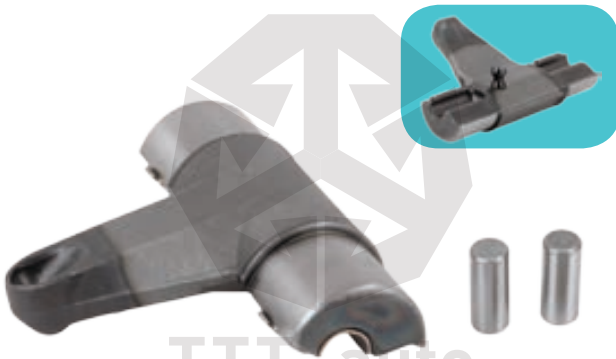
TTT No	Description	Pcs.
14844	Needle Bearing Set	x 1
14880	Roller Bearing	x 2
14881	Lever Bearing	x 2

14844 Needle Bearing Set

ELSA 2



TTT No	Description	Pcs.
13488	Needle Bearing	x 2

13468 Caliper Bearing Saddle Set ELSA 2**14881** Caliper Lever Bearing ELSA 2**13515** Caliper Lever ELSA 2**16871** Rubber Cap Set
68322655PK10 ELSA 2

VOLVO FH12 / FH16
VOLVO FM7 / FM10 / FM12
VOLVO FL6
VOLVO BUS B7 / B12
ROR Axle LM / TA / TM



TTT No	Description	Pcs.
18188	Lever	x 1
14880	Roller Bearing	x 2

TTT No	Description	Pcs.
14975	Rubber Cap	x 10

19019 Rubber Cap Repair Kit ELSA 2**16862** Caliper Actuator Seal Set
68323746PK10 ELSA 2

VOLVO FH12 / FH16
VOLVO FM9 / FM12 / FMX
VOLVO BUS B7 / B11 / B13
ROR Axle LM / TA / TM

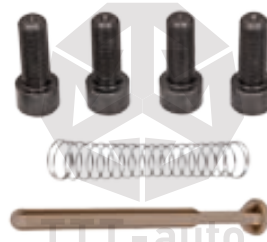


TTT No	Description	Pcs.
14975	Rubber Cap	x 1
17398	Rubber Cap Ring	x 1
15443	Shaft Seal	x 1

TTT No	Description	Pcs.
15576	Caliper Actuator Seal	x 10

16035 Caliper Actuator Seal ELSA 2**17249** Caliper Visual Indicator &
Screw Set
MCK1240 ELSA 2

RENAULT PREMIUM



TTT No	Description	Pcs.
17591	Caliper Visual Indicator	x 1
14766	Bolt - M16 x 1.5 / 40 mm	x 4

17591 Caliper Visual Indicator

ELSA 2

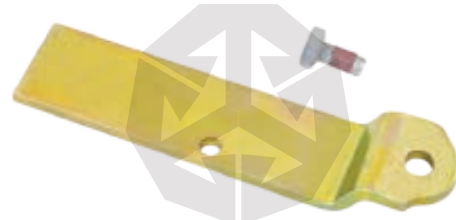


TTT-auto

16289 Caliper Pad Retainer Kit MCK1174

ELSA 2

MAN TGA/TGS/TGX/TGL
MAN L/M/F 2000
MAN BUS LION'S CITY/CLASSIC
NEOPLAN CENTROLINER



TTT-auto

17819 Caliper Pad Spring Set MBA105

ELSA 2



TTT-auto

16621 Caliper Lever Bearing

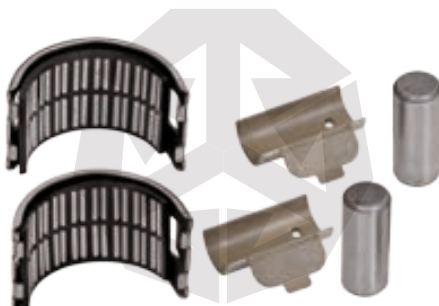
ELSA 2
RADIAL



TTT-auto

16620 Caliper Bearing Set SJ4098

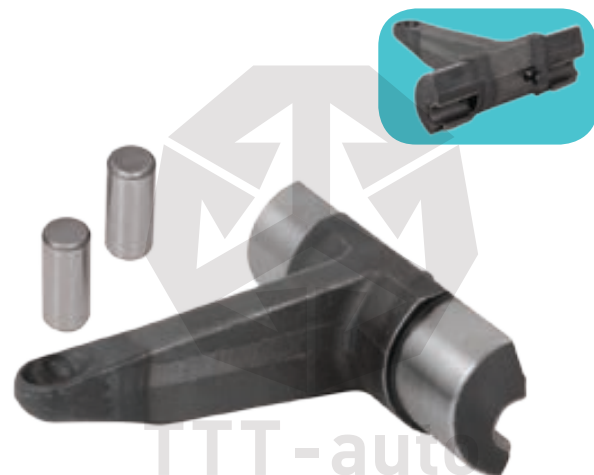
ELSA 2
RADIAL



TTT-auto

15620 Caliper Lever

ELSA 2
RADIAL



TTT-auto

TTT No	Description	Pcs.
14844	Needle Bearing Set	x 1
14880	Roller Bearing	x 2
16621	Lever Bearing	x 2

TTT No	Description	Pcs.
18190	Lever	x 1
14880	Roller Bearing	x 2

16870 Caliper Complete Repair Kit - L

ELSA 2

RENAULT PREMIUM/MAGNUM
 MAN TGA / F2000
 MAN L2000 / M2000
 RENAULT BUS ARES
 MAN BUS LION'S CITY/CLASSIC
 NEOPLAN CENTROLINER
 VAN HOOL BUS



TTT No	Description	Pcs.			
15405	Caliper Pin Repair Kit	x 1	13515	Caliper Lever	x 1
15576	Caliper Actuator Seal	x 1	13468	Caliper Bearing Saddle Set	x 1
14646	Caliper Adjusting Mechanism Set	x 1	17591	Caliper Visual Indicator	x 1
15467	Manual Adjusting Gear - L	x 1	16289	Caliper Pad Retainer Kit	x 1
19019	Rubber Cap Repair Kit	x 1	15707	Grease (White) - 5 g	x 1
14844	Needle Bearing Set	x 1	15718	Grease (Green) - 8 g	x 1

19014 Caliper Complete Repair Kit - L - (Without Lever)

ELSA 2

RENAULT 420 (Old Model)



TTT No	Description	Pcs.			
15405	Caliper Pin Repair Kit	x 1	14850	Caliper Bearing Set	x 1
15576	Caliper Actuator Seal	x 1	13468	Caliper Bearing Saddle Set	x 1
14646	Caliper Adjusting Mechanism Set	x 1	17591	Caliper Visual Indicator	x 1
15467	Manual Adjusting Gear - L	x 1	15707	Grease (White) - 5 g	x 1
19019	Rubber Cap Repair Kit	x 1	15718	Grease (Green) - 8 g	x 1



16860 Caliper Complete Repair Kit - R

ELSA 2

RENAULT PREMIUM/MAGNUM
MAN TGA / F2000
MAN L2000 / M2000
RENAULT BUS ARES
MAN BUS LION'S CITY/CLASSIC
NEOPLAN CENTROLINER
VAN HOOL BUS



TTT No	Description	Pcs.			
15405	Caliper Pin Repair Kit	x 1	13515	Caliper Lever	x 1
15576	Caliper Actuator Seal	x 1	13468	Caliper Bearing Saddle Set	x 1
14646	Caliper Adjusting Mechanism Set	x 1	17591	Caliper Visual Indicator	x 1
13467	Manual Adjusting Gear - R	x 1	16289	Caliper Pad Retainer Kit	x 1
19019	Rubber Cap Repair Kit	x 1	15707	Grease (White) - 5 g	x 1
14844	Needle Bearing Set	x 1	15718	Grease (Green) - 8 g	x 1

19015 Caliper Complete Repair Kit - R - (Without Lever)

ELSA 2

RENAULT 420 (Old Model)



TTT No	Description	Pcs.			
15405	Caliper Pin Repair Kit	x 1	14850	Caliper Bearing Set	x 1
15576	Caliper Actuator Seal	x 1	13468	Caliper Bearing Saddle Set	x 1
14646	Caliper Adjusting Mechanism Set	x 1	17591	Caliper Visual Indicator	x 1
13467	Manual Adjusting Gear - R	x 1	15707	Grease (White) - 5 g	x 1
19019	Rubber Cap Repair Kit	x 1	15718	Grease (Green) - 8 g	x 1

16990 Caliper Complete Repair Kit - L

**ELSA 2
RADIAL**

VOLVO BUS B7 / B9
MAN BUS LION'S CITY
NEOPLAN CENTROLINER
IRISBUS AGORA/CITELIS/CRONUS



TTT No	Description	Pcs.			
14779	Caliper Pin Repair Kit	x 1	15620	Caliper Lever	x 1
15576	Caliper Actuator Seal	x 1	13468	Caliper Bearing Saddle Set	x 1
16499	Caliper Adjusting Mechanism Set	x 1	17591	Caliper Visual Indicator	x 1
15467	Manual Adjusting Gear - L	x 1	16289	Caliper Pad Retainer Kit	x 1
19019	Rubber Cap Repair Kit	x 1	15707	Grease (White) - 5 g	x 1
14844	Needle Bearing Set	x 1	15718	Grease (Green) - 8 g	x 1

19041 Caliper Complete Repair Kit - L - (Without Lever)

**ELSA 2
RADIAL**

RENAULT 420 (New Model)
MAN TGA (New Model)



TTT No	Description	Pcs.			
14779	Caliper Pin Repair Kit	x 1	16620	Caliper Bearing Set	x 1
15576	Caliper Actuator Seal	x 1	13468	Caliper Bearing Saddle Set	x 1
16499	Caliper Adjusting Mechanism Set	x 1	17591	Caliper Visual Indicator	x 1
15467	Manual Adjusting Gear - L	x 1	15707	Grease (White) - 5 g	x 1
19019	Rubber Cap Repair Kit	x 1	15718	Grease (Green) - 8 g	x 1



16980 Caliper Complete Repair Kit - R

**ELSA 2
RADIAL**

VOLVO BUS B7 / B9
MAN BUS LION'S CITY
NEOPLAN CENTROLINER
IRISBUS AGORA/CITELIS/CRONUS



TTT No	Description	Pcs.			
14779	Caliper Pin Repair Kit	x 1	15620	Caliper Lever	x 1
15576	Caliper Actuator Seal	x 1	13468	Caliper Bearing Saddle Set	x 1
16499	Caliper Adjusting Mechanism Set	x 1	17591	Caliper Visual Indicator	x 1
13467	Manual Adjusting Gear - R	x 1	16289	Caliper Pad Retainer Kit	x 1
19019	Rubber Cap Repair Kit	x 1	15707	Grease (White) - 5 g	x 1
14844	Needle Bearing Set	x 1	15718	Grease (Green) - 8 g	x 1

19042 Caliper Complete Repair Kit - R - (Without Lever)

**ELSA 2
RADIAL**

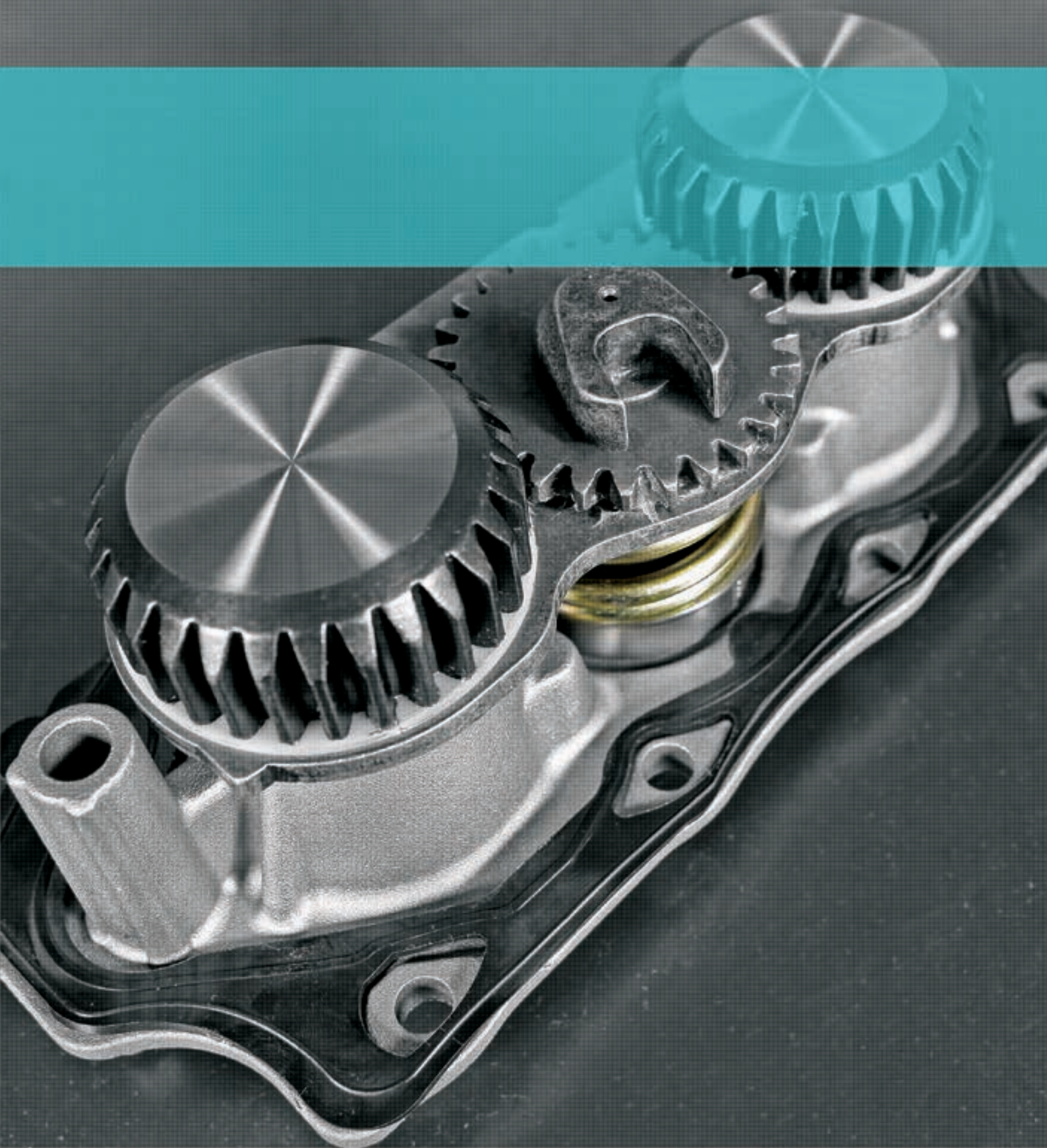
RENAULT 420 (New Model)
MAN TGA (New Model)



TTT No	Description	Pcs.			
14779	Caliper Pin Repair Kit	x 1	16620	Caliper Bearing Set	x 1
15576	Caliper Actuator Seal	x 1	13468	Caliper Bearing Saddle Set	x 1
16499	Caliper Adjusting Mechanism Set	x 1	17591	Caliper Visual Indicator	x 1
13467	Manual Adjusting Gear - R	x 1	15707	Grease (White) - 5 g	x 1
19019	Rubber Cap Repair Kit	x 1	15718	Grease (Green) - 8 g	x 1



ELSA 195 / 225 / EX 225



14930 Caliper Pin Repair Kit MCK1254

ELSA 225

VOLVO FH / FM Rear (Radial Type)
ROR Axle LM / LMC / TA (Axial Type)



TTT No	Description	Pcs.
15571	Caliper Pin - Ø 35 / 117 mm	x 1
15572	Caliper Pin - Ø 31 / 78 mm	x 1
15573	Pin Bolt - M18 x 1.5 / 120 mm	x 1
15574	Pin Bolt - M18 x 1.5 / 80 mm	x 1
14601	Oval Bush - Ø 31-33 x 42 / 30 mm	x 1
14602	Round Bush - Ø 35 x 39 / 30 mm	x 2
15504	Ring - Ø 37 x 39 / 10 mm	x 2
15577	Pin Cap - Ø 44 / 17 mm	x 2
15583	Bolt - M14 x 1.5 / 40 mm	x 4
14640	Pin Boot	x 2
15707	Grease (White) - 5 g	x 1

17780 Caliper Pin Repair Kit MCK1323

ELSA 195
ELSA 225

RENAULT PREMIUM ITR (19.5" Axial Type)
RENAULT MAGNUM Dxi (19.5" Axial Type)
RENAULT PREMIUM (22.5" Axial Type)
RENAULT MIDLUM (22.5" Axial Type)
VOLVO FE Rear (22.5" Axial Type)



TTT No	Description	Pcs.
15571	Caliper Pin - Ø 35 / 117 mm	x 1
15572	Caliper Pin - Ø 31 / 78 mm	x 1
15573	Pin Bolt - M18 x 1.5 / 120 mm	x 1
15574	Pin Bolt - M18 x 1.5 / 80 mm	x 1
14601	Oval Bush - Ø 31-33 x 42 / 30 mm	x 1
14602	Round Bush - Ø 35 x 39 / 30 mm	x 2
15504	Ring - Ø 37 x 39 / 10 mm	x 2
15577	Pin Cap - Ø 44 / 17 mm	x 2
15584	Bolt - M16 x 1.5 / 40 mm	x 4
14640	Pin Boot	x 2
15707	Grease (White) - 5 g	x 1

15460 Caliper Pin Repair Kit MCK1298

ELSA 195
ELSA 225

VOLVO FH12 / FM12 Rear (19.5" Axial Type)
VOLVO FH12 / FM12 Rear (22.5" Axial Type)
VOLVO BUS B7R / B9R / B12R / B12M Rear (22.5" Axial Type)



TTT No	Description	Pcs.
15591	Caliper Pin - Ø 35 / 117 mm	x 1
15592	Caliper Pin - Ø 31 / 78 mm	x 1
15573	Pin Bolt - M18 x 1.5 / 120 mm	x 1
15574	Pin Bolt - M18 x 1.5 / 80 mm	x 1
14601	Oval Bush - Ø 31-33 x 42 / 30 mm	x 1
14602	Round Bush - Ø 35 x 39 / 30 mm	x 2
15504	Ring - Ø 37 x 39 / 10 mm	x 2
15577	Pin Cap - Ø 44 / 17 mm	x 2
15583	Bolt - M14 x 1.5 / 40 mm	x 4
15584	Bolt - M16 x 1.5 / 40 mm	x 4
14640	Pin Boot	x 2
15707	Grease (White) - 5 g	x 1

15590 Caliper Pin Repair Kit MCK1317

ELSA 225
RADIAL

VOLVO FH12 / FM12 Rear (22.5" Radial Type)
VOLVO BUS B7R / B9R / B12R / B12M Rear (22.5" Radial Type)
RENAULT TRUCK Front (22.5" Radial Type)



TTT No	Description	Pcs.
15591	Caliper Pin - Ø 35 / 117 mm	x 1
15594	Caliper Pin - Ø 31 / 117 mm	x 1
15573	Pin Bolt - M18 x 1.5 / 120 mm	x 2
14601	Oval Bush - Ø 31-33 x 42 / 30 mm	x 2
15504	Ring - Ø 37 x 39 / 10 mm	x 2
14602	Round Bush - Ø 35 x 39 / 30 mm	x 2
15577	Pin Cap - Ø 44 / 17 mm	x 2
15584	Bolt - M16 x 1.5 / 40 mm	x 4
14640	Pin Boot	x 2
15707	Grease (White) - 5 g	x 1

16010 Caliper Bolt Repair Kit MCK1310

ELSA 195
ELSA 225



TTT No	Description	Pcs.
15573	Pin Bolt - M18 x 1.5 / 120 mm	x 1
15577	Pin Cap - Ø 44 / 17 mm	x 2
15583	Bolt - M14 x 1.5 / 40 mm	x 4
15584	Bolt - M16 x 1.5 / 40 mm	x 4
14640	Pin Boot	x 2

15588 Caliper Boot & Cap Set MCK1253

ELSA 195
ELSA 225



TTT No	Description	Pcs.
15583	Bolt - M14 x 1.5 / 40 mm	x 4
15577	Pin Cap - Ø 44 / 17 mm	x 2
14640	Pin Boot	x 2

17980 Caliper Boot & Pin Repair Kit KIT225200

EX 225



TTT No	Description	Pcs.
15591	Caliper Pin - Ø 35 / 117 mm	x 1
15592	Caliper Pin - Ø 31 / 78 mm	x 1
15573	Pin Bolt - M18 x 1.5 / 120 mm	x 1
15574	Pin Bolt - M18 x 1.5 / 80 mm	x 1
15577	Pin Cap - Ø 44 / 17 mm	x 2
14640	Pin Boot	x 2
14710	Tappet Boot	x 2
15583	Bolt - M14 x 1.5 / 40 mm	x 4
15707	Grease (White) - 5 g	x 1

17981 Caliper Boot & Pin Repair Kit KIT225200 L

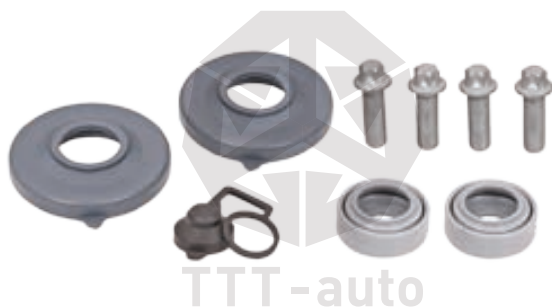
EX 225



TTT No	Description	Pcs.
15591	Caliper Pin - Ø 35 / 117 mm	x 1
15592	Caliper Pin - Ø 31 / 78 mm	x 1
15573	Pin Bolt - M18 x 1.5 / 120 mm	x 1
15574	Pin Bolt - M18 x 1.5 / 80 mm	x 1
15577	Pin Cap - Ø 44 / 17 mm	x 2
14640	Pin Boot	x 2
14710	Tappet Boot	x 2
15584	Bolt - M16 x 1.5 / 40 mm	x 4
15707	Grease (White) - 5 g	x 1

17998 Caliper Boot Set KIT225201

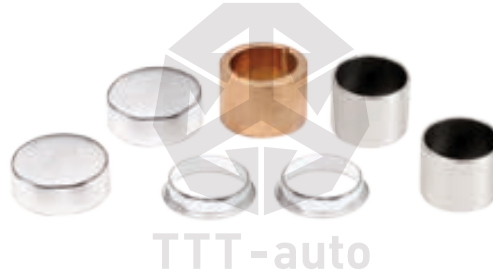
EX 225



TTT No	Description	Pcs.
14640	Pin Boot	x 2
14710	Tappet Boot	x 2
15583	Bolt - M14 x 1.5 / 40 mm	x 4
14929	Rubber Cap	x 1

17997 Caliper Pin Bush Repair Kit KIT225221

EX 225



TTT No	Description	Pcs.
14601	Oval Bush - Ø 31-33 x 42 / 30 mm	x 1
14602	Round Bush - Ø 35 x 39 / 30 mm	x 2
15577	Pin Cap - Ø 44 / 17 mm	x 2
15504	Ring - Ø 37 x 39 / 10 mm	x 2
15707	Grease (White) - 5 g	x 1

17996 Caliper Short Pin & Boot Repair Kit KIT225233

EX 225



TTT No	Description	Pcs.
15592	Caliper Pin - Ø 31 / 78 mm	x 1
15574	Pin Bolt - M18 x 1.5 / 80 mm	x 1
15577	Pin Cap - Ø 44 / 17 mm	x 1
15504	Ring - Ø 37 x 39 / 10 mm	x 1
14769	Bolt - M10 x 1.25 / 20 mm	x 1
14640	Pin Boot	x 2
14710	Tappet Boot	x 2
15707	Grease (White) - 5 g	x 1

16249 Caliper Dust Cover Set MCK1088

ELSA 195
ELSA 225



TTT No	Description	Pcs.
14710	Tappet Boot	x 2
14640	Pin Boot	x 2
15576	Caliper Actuator Seal	x 1
14975	Rubber Cap	x 1
15575	O-ring	x 2

15490 Caliper Pin Boot Set

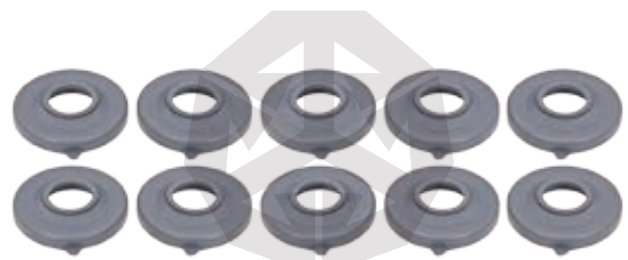
ELSA 195
ELSA 225



TTT No	Description	Pcs.
14640	Pin Boot	x 2

16863 Caliper Tappet Boot Set 68324854PK10

ELSA 195
ELSA 225



TTT No	Description	Pcs.
14710	Tappet Boot	x 10

14597 Caliper Tappet Boot Set MCK1139

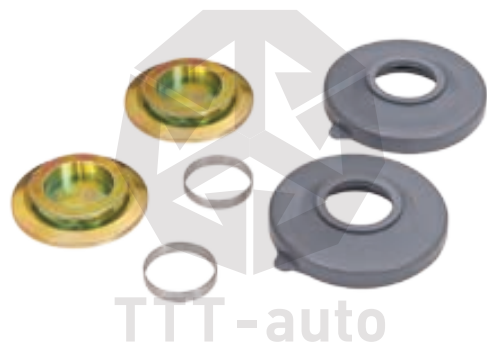
ELSA 195
ELSA 225



TTT No	Description	Pcs.
14710	Tappet Boot	x 2

15014 Caliper Tappet & Boot Set MCK1309

ELSA 195
ELSA 225



TTT No	Description	Pcs.
14710	Tappet Boot	x 2
15386	Tappet	x 2
15387	Ring	x 2

15406 Caliper Tappet Set

ELSA 195
ELSA 225



TTT No	Description	Pcs.
15386	Tappet	x 2
15387	Ring	x 2

13460 Caliper Adjusting Mechanism

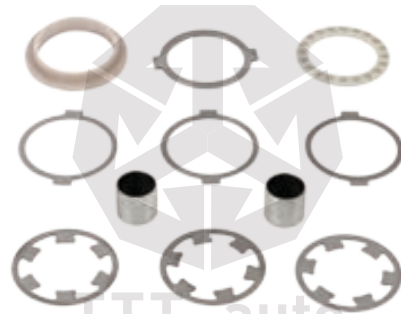
ELSA 195
ELSA 225



TTT - auto

18630 Caliper Adjusting Mechanism Repair Kit

ELSA 195
ELSA 225



TTT - auto

16020 Caliper Adjusting Mechanism Cap

ELSA 195
ELSA 225



TTT - auto

16080 Caliper Adjusting Mechanism Cap (With Bush)

ELSA 195
ELSA 225



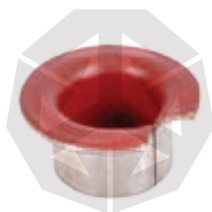
TTT - auto

TTT No	Description	Pcs.
16019	Caliper Adjusting Mechanism Cap	x 1
15031	Caliper Gear Bush & Seal Set	x 1
16023	Gasket	x 1
16024	Bolt - M8 x 1.25 / 45 mm	x 8

TTT No	Description	Pcs.
16819	Caliper Adjusting Mechanism Cap	x 1
15031	Caliper Gear Bush & Seal Set	x 1
16023	Gasket	x 1
16024	Bolt - M8 x 1.25 / 45 mm	x 8

16038 Bush for Mechanism Cap

ELSA 195
ELSA 225



TTT - auto

16023 Gasket

ELSA 195
ELSA 225



TTT - auto

MERITOR

ELSA 195
ELSA 225
EX 225

15031 Caliper Gear Bush & Seal Set

ELSA 195
ELSA 225



TTT No	Description	Pcs.
13459	Tappet Boot Ring	x 2
13464	Gear Bush	x 2
13463	Seal	x 2

16021 Caliper Adjusting Mechanism Set

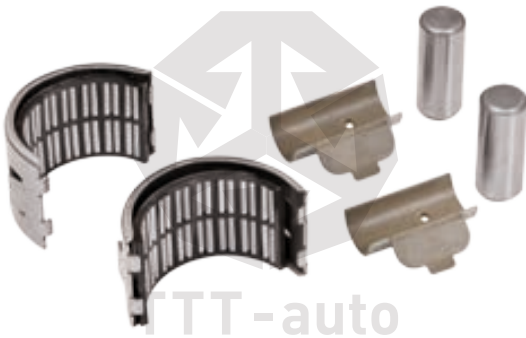
ELSA 195
ELSA 225



TTT No	Description	Pcs.
16020	Caliper Adjusting Mechanism Cap	x 1
13460	Caliper Adjusting Mechanism	x 1
13461	Caliper Adjusting Gear Set	x 1
14597	Caliper Tappet Boot Set	x 1

14850 Caliper Bearing Set SJ4112

ELSA 195
ELSA 225



TTT No	Description	Pcs.
14844	Needle Bearing Set	x 1
14880	Roller Bearing	x 2
14881	Lever Bearing	x 2

13461 Caliper Adjusting Gear Set

ELSA 195
ELSA 225



TTT No	Description	Pcs.
14884	Caliper Adjusting Mechanism Gear	x 2

16022 Manual Adjusting Gear

ELSA 195
ELSA 225



16992 Manual Adjusting Gear

ELSA 195
OLD MODEL



14844 Needle Bearing Set

ELSA 195
ELSA 225



TTT No	Description	Pcs.
13488	Needle Bearing	x 2

13468 Caliper Bearing Saddle Set ELSA 195
ELSA 225



TTT - auto

14881 Caliper Lever Bearing ELSA 195
ELSA 225



TTT - auto

17230 Caliper Lever ELSA 195
OLD MODEL



TTT - auto

TTT No	Description	Pcs.
18095	Lever	x 1
14880	Roller Bearing	x 2

17211 Caliper Lever ELSA 195
ELSA 225



TTT - auto

TTT No	Description	Pcs.
18153	Caliper Lever	x 1
14880	Roller Bearing	x 2

18099 Caliper Lever Bearing ELSA 195
SCANIA TYPE
IVECO TYPE



TTT - auto

18201 Caliper Lever ELSA 195
SCANIA TYPE



TTT - auto

TTT No	Description	Pcs.
18098	Lever	x 1
14880	Roller Bearing	x 2

19222 Caliper Lever ELSA 195
IVECO TYPE



TTT - auto

TTT No	Description	Pcs.
19235	Lever	x 1
14880	Roller Bearing	x 2

15707 Grease (White) - For Brass Bush



MERITOR
ELSA 195
ELSA 225
EX 225

16424 Caliper Bearing Set

ELSA 225
RADIAL



TTT No	Description	Pcs.
14844	Needle Bearing Set	x 1
14880	Roller Bearing	x 2
16991	Lever Bearing	x 2

16991 Lever Bearing

ELSA 225
RADIAL



15840 Caliper Lever

ELSA 225
RADIAL



TTT No	Description	Pcs.
18162	Caliper Lever	x 1
14880	Roller Bearing	x 2

16871 Rubber Cap Set 68322655PK10



TTT No	Description	Pcs.
14975	Rubber Cap	x 10

19019 Rubber Cap Repair Kit

ELSA 195
ELSA 225



TTT No	Description	Pcs.
14975	Rubber Cap	x 1
17398	Rubber Cap Ring	x 1
15443	Shaft Seal	x 1

16862 Caliper Actuator Seal Set 68323746PK10

ELSA 195
ELSA 225



TTT No	Description	Pcs.
15576	Caliper Actuator Seal	x 10

16035 Caliper Actuator Seal

ELSA 195
ELSA 225



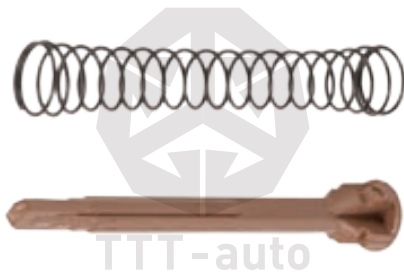
19202 Caliper Sensor Cover Repair Kit MST1504 MCK1352

ELSA 195
ELSA 225



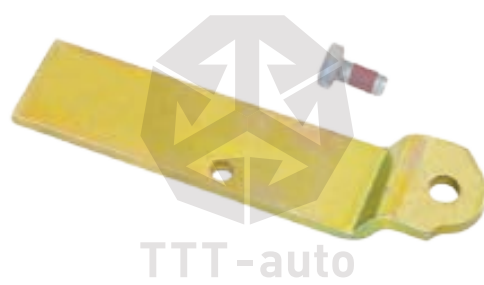
16619 Caliper Visual Indicator
MCK1311

ELSA 195
ELSA 225



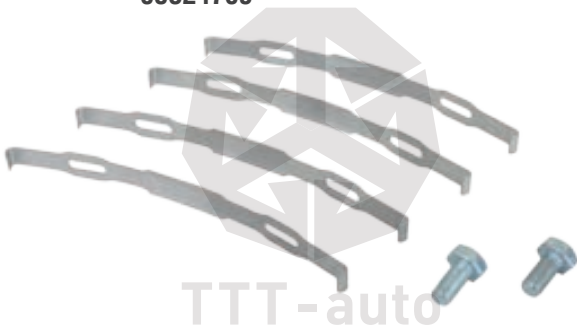
16289 Caliper Pad Retainer Kit
MCK1174

ELSA 195
ELSA 225



17822 Caliper Pad Spring Set
MBA112
68324769

ELSA 225



15718 Grease (Green) - For Rubber Bush



16994 Caliper Complete Repair Kit

ELSA 195
ELSA 225

VOLVO FH12 / FM12
ROR Axle LM / LMC / TA



TTT No	Description	Pcs.		
14930	Caliper Pin Repair Kit	x 1	17230	Caliper Lever
16035	Caliper Actuator Seal	x 1	13468	Caliper Bearing Saddle Set
16021	Caliper Adjusting Mechanism Set	x 1	16619	Caliper Visual Indicator
16992	Manual Adjusting Gear	x 1	16289	Caliper Pad Retainer Kit
19019	Rubber Cap Repair Kit	x 1	15707	Grease (White) - 5 g
14844	Needle Bearing Set	x 1	15718	Grease (Green) - 8 g

16995 Caliper Complete Repair Kit

ELSA 195
ELSA 225

VOLVO FH12 / FM12
ROR Axle LM / LMC / TA



TTT No	Description	Pcs.			
14930	Caliper Pin Repair Kit	x 1	17211	Caliper Lever	x 1
16035	Caliper Actuator Seal	x 1	13468	Caliper Bearing Saddle Set	x 1
16021	Caliper Adjusting Mechanism Set	x 1	16619	Caliper Visual Indicator	x 1
16022	Manual Adjusting Gear	x 1	16289	Caliper Pad Retainer Kit	x 1
19019	Rubber Cap Repair Kit	x 1	15707	Grease (White) - 5 g	x 1
14844	Needle Bearing Set	x 1	15718	Grease (Green) - 8 g	x 1

18204 Caliper Complete Repair Kit

ELSA 225

SCANIA

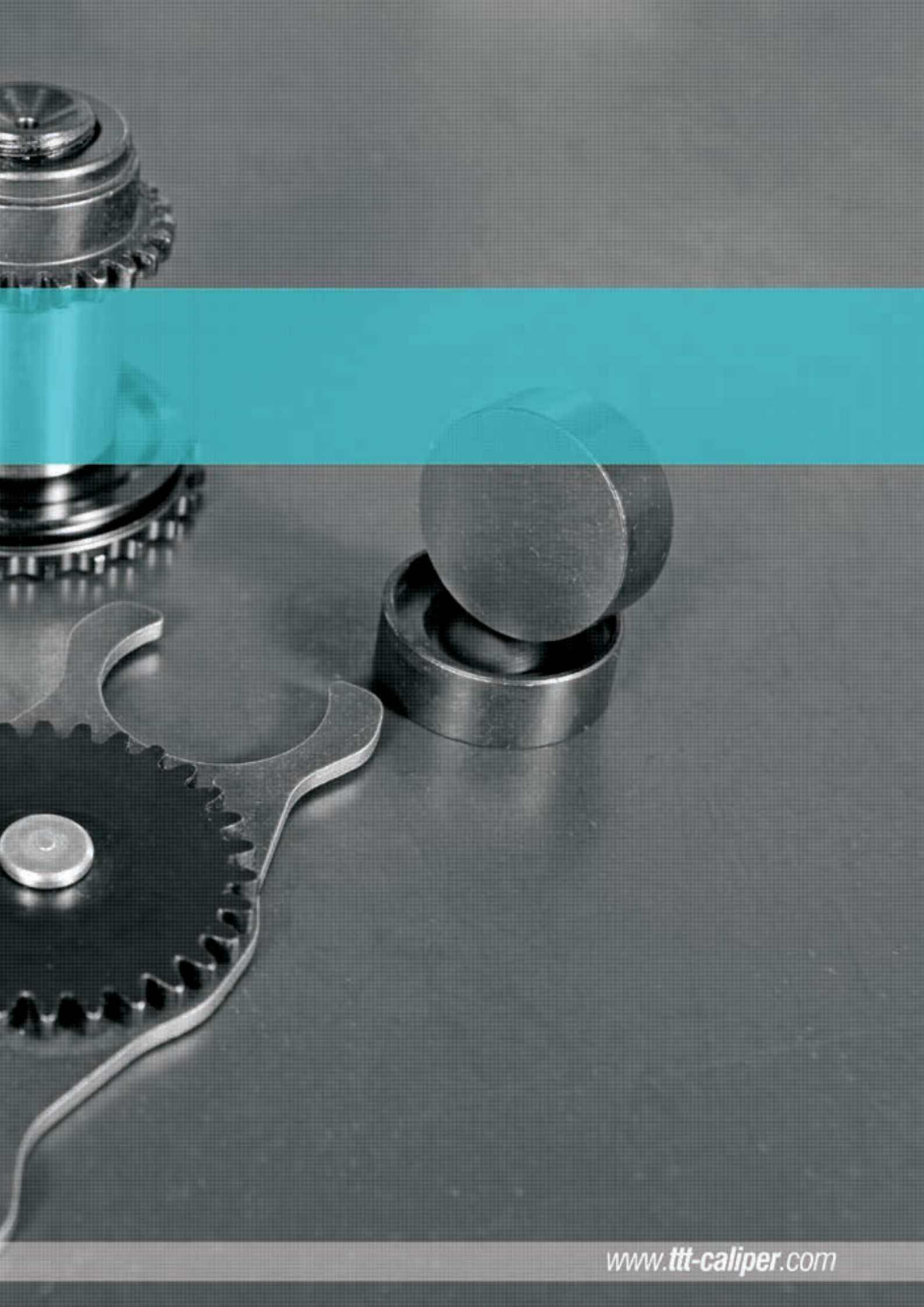


TTT No	Description	Pcs.			
14930	Caliper Pin Repair Kit	x 1	18201	Caliper Lever	x 1
16035	Caliper Actuator Seal	x 1	13468	Caliper Bearing Saddle Set	x 1
16021	Caliper Adjusting Mechanism Set	x 1	16619	Caliper Visual Indicator	x 1
16022	Manual Adjusting Gear	x 1	15707	Grease (White) - 5 g	x 1
19019	Rubber Cap Repair Kit	x 1	15718	Grease (Green) - 8 g	x 1
14844	Needle Bearing Set	x 1			



A collection of precision-machined metal gears and a spring on a dark surface. The gears are arranged in a way that suggests a mechanical assembly. One gear is prominently featured in the center, showing its teeth and the smooth, polished surface of its hub. Other gears are visible in the background and foreground, some partially obscured. A coiled spring is also present in the lower right corner. The overall scene is set against a dark, textured background, with a teal horizontal band across the top containing the text 'ELSA 1'.

ELSA 1



14606 Caliper Pin Repair KitMCK1102
ST1157

ELSA 1

MAN TGA / F2000
MAN BUS LION'S CITY/COACH/STAR
NEOPLAN CENTROLINER/TOURLINER/TROLLEY

TTT No	Description	Pcs.
14607	Caliper Pin - Ø 35 / 135 mm	x 1
14608	Caliper Pin - Ø 35 / 73 mm	x 1
14609	Pin Bolt - M20 x 1.5 / 150 mm	x 1
14610	Pin Bolt - M20 x 1.5 / 90 mm	x 1
14612	Oval Bush - Ø 35-37 x 40 / 33 mm	x 1
14602	Round Bush - Ø 35 x 39 / 30 mm	x 2
14604	Ring - Ø 36-37 x 39 / 15 mm - (With Step)	x 1
14725	Ring - Ø 37 x 40 / 15 mm - (Without Step)	x 1
14729	Ring - Ø 37 x 48 / 14 mm	x 2
14605	Pin Cap Ø 45 / 28 mm	x 2
14603	Pin Boot	x 2
15707	Grease (White) - 5 g	x 1

13444 Caliper Boot & Pin Repair Kit

ELSA 1



TTT No	Description	Pcs.
14607	Caliper Pin - Ø 35 / 135 mm	x 1
14608	Caliper Pin - Ø 35 / 73 mm	x 1
14609	Pin Bolt - M20 x 1.5 / 150 mm	x 1
14610	Pin Bolt - M20 x 1.5 / 90 mm	x 1
14612	Oval Bush - Ø 35-37 x 40 / 33 mm	x 1
14602	Round Bush - Ø 35 x 39 / 30 mm	x 2
14604	Ring - Ø 36-37 x 39 / 15 mm - (With Step)	x 1
14725	Ring - Ø 37 x 40 / 15 mm - (Without Step)	x 1
14729	Ring - Ø 37 x 48 / 14 mm	x 2
14605	Pin Cap Ø 45 / 28 mm	x 2
14603	Pin Boot	x 2
14687	Tappet Boot	x 2
15707	Grease (White) - 5 g	x 1

14733 Caliper Pin Repair Kit

MCK1103

ELSA 1

MAN BUS A13 / A32
MAN BUS LION'S CLASSIC

TTT No	Description	Pcs.
14614	Caliper Pin - Ø 28.5 / 110 mm - (With Bolt)	x 1
14607	Caliper Pin - Ø 35 / 135 mm	x 1
14609	Pin Bolt - M20 x 1.5 / 150 mm	x 1
14615	Rubber Bush - Ø 28.5 x 40 / 27 mm	x 1
14602	Round Bush - Ø 35 x 39 / 30 mm	x 2
14611	Ring - Ø 30 x 40 / 19 mm	x 1
14604	Ring - Ø 36-37 x 39 / 15 mm - (With Step)	x 1
14605	Pin Cap Ø 45 / 28 mm	x 2
14603	Pin Boot	x 2
15718	Grease (Green) - 8 g	x 1

13443 Caliper Boot & Pin Repair Kit

ELSA 1



TTT No	Description	Pcs.
14614	Caliper Pin - Ø 28.5 / 110 mm - (With Bolt)	x 1
14607	Caliper Pin - Ø 35 / 135 mm	x 1
14609	Pin Bolt - M20 x 1.5 / 150 mm	x 1
14615	Rubber Bush - Ø 28.5 x 40 / 27 mm	x 1
14602	Round Bush - Ø 35 x 39 / 30 mm	x 2
14611	Ring - Ø 30 x 40 / 19 mm	x 1
14604	Ring - Ø 36-37 x 39 / 15 mm - (With Step)	x 1
14605	Pin Cap Ø 45 / 28 mm	x 2
14603	Pin Boot	x 2
14687	Tappet Boot	x 2
15718	Grease (Green) - 8 g	x 1

15477 Caliper Pin Boot Set

ELSA 1



TTT No	Description	Pcs.
14603	Pin Boot	x 2

14613 Caliper Tappet Boot Set ST1156

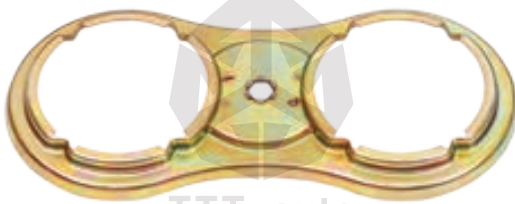
ELSA 1



TTT No	Description	Pcs.
14687	Tappet Boot	x 2

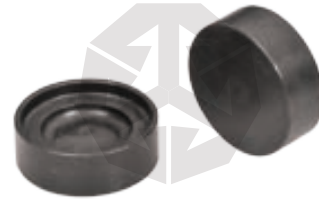
13446 Locking Shim 68321678

ELSA 1



15495 Caliper Gear Slot Set

ELSA 1



TTT No	Description	Pcs.
14697	Gear Slot	x 2

15445 Caliper Adjusting Gear - L

ELSA 1
35 mm



13445 Caliper Adjusting Gear - R

ELSA 1
35 mm



15691 Caliper Adjusting Gear Set - L

ELSA 1
35 mm



14691 Caliper Adjusting Gear Set - R

ELSA 1
35 mm



TTT No	Description	Pcs.
14696	Intermediate Gear / 35 mm	x 1
16718	Adjusting Gear Spring	x 1
15445	Adjusting Gear / 35 mm - L	x 2
14697	Gear Slot	x 2

TTT No	Description	Pcs.
14696	Intermediate Gear / 35 mm	x 1
16718	Adjusting Gear Spring	x 1
13445	Adjusting Gear / 35 mm - R	x 2
14697	Gear Slot	x 2

17888 Caliper Gear Bush SetELSA 1
35 mm

TTT No	Description	Pcs.
17887	Caliper Gear Bush / 35 mm	x 2

17890 Caliper Gear Bush SetELSA 1
37,5 mm

TTT No	Description	Pcs.
17889	Caliper Gear Bush / 37.5 mm	x 2

15717 Caliper Adjusting Gear - LELSA 1
37,5 mm**14717** Caliper Adjusting Gear - RELSA 1
37,5 mm**15724** Caliper Adjusting Gear Set - L ELSA 1
37,5 mm**14724** Caliper Adjusting Gear Set - R ELSA 1
37,5 mm

TTT No	Description	Pcs.
14698	Intermediate Gear / 37.5 mm	x 1
16718	Adjusting Gear Spring	x 1
15717	Adjusting Gear / 37.5 mm - L	x 2
14697	Gear Slot	x 2

TTT No	Description	Pcs.
14698	Intermediate Gear / 37.5 mm	x 1
16718	Adjusting Gear Spring	x 1
14717	Adjusting Gear / 37.5 mm - R	x 2
14697	Gear Slot	x 2

15707 Grease (White) - For Brass Bush**13466** Caliper Adjusting Mechanism ELSA 1

15465 Adjusting Mechanism
Clutch System - L

ELSA 1



13465 Adjusting Mechanism
Clutch System - R

ELSA 1



16876 Adjusting Mechanism
Clutch System - L

ELSA 1



16877 Adjusting Mechanism
Clutch System - R

ELSA 1



TTT No	Description		Pcs.
16481	Adjusting Mechanism Clutch System - L	x	1
16649	Bracket	x	1

TTT No	Description		Pcs.
16482	Adjusting Mechanism Clutch System - R	x	1
16649	Bracket	x	1

17712 Adjusting Mechanism Kit - L
MCK1211

ELSA 1



17713 Adjusting Mechanism Kit - R
MCK1212

ELSA 1



TTT No	Description		Pcs.
13466	Caliper Adjusting Mechanism	x	1
16876	Adjusting Mechanism Clutch System - L	x	1
17208	Lever Pin	x	1

TTT No	Description		Pcs.
13466	Caliper Adjusting Mechanism	x	1
16877	Adjusting Mechanism Clutch System - R	x	1
17208	Lever Pin	x	1

17603 Adjusting Mechanism Clutch System - L

ELSA 1
RADIAL



TTT No	Description	Pcs.
17691	Adjusting Mechanism Clutch System - L	x 1
16649	Bracket	x 1

17604 Adjusting Mechanism Clutch System - R

ELSA 1
RADIAL



TTT No	Description	Pcs.
17692	Adjusting Mechanism Clutch System - R	x 1
16649	Bracket	x 1

17972 Adjusting Mechanism Kit - L MCK1209

ELSA 1
RADIAL



TTT No	Description	Pcs.
13466	Caliper Adjusting Mechanism	x 1
17603	Adjusting Mechanism Clutch System - L	x 1
17208	Lever Pin	x 1

17973 Adjusting Mechanism Kit - R MCK1210

ELSA 1
RADIAL



TTT No	Description	Pcs.
13466	Caliper Adjusting Mechanism	x 1
17604	Adjusting Mechanism Clutch System - R	x 1
17208	Lever Pin	x 1

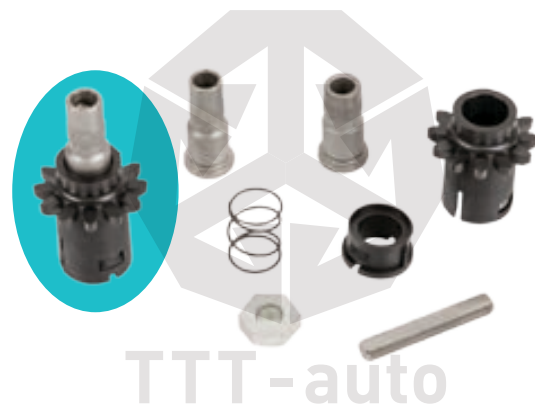
16745 Caliper Small Gear Mechanism - L 68322562

ELSA 1



16746 Caliper Small Gear Mechanism - R 68322563

ELSA 1



17206 Spring Retainer Thrust Set - L ELSA 1



TTT No	Description	Pcs.
15745	Spring - L	x 1
17207	Spring Retainer	x 1
17208	Lever Pin	x 1
17209	Bracket	x 1

17205 Spring Retainer Thrust Set - R ELSA 1



TTT No	Description	Pcs.
14745	Spring - R	x 1
17207	Spring Retainer	x 1
17208	Lever Pin	x 1
17209	Bracket	x 1

14850 Caliper Bearing Set ELSA 1

SJ4112



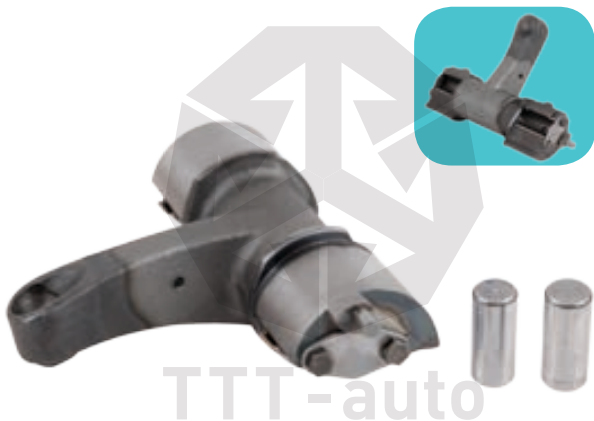
TTT No	Description	Pcs.
14844	Needle Bearing Set	x 1
14880	Roller Bearing	x 2
14881	Lever Bearing	x 2

14844 Needle Bearing Set ELSA 1



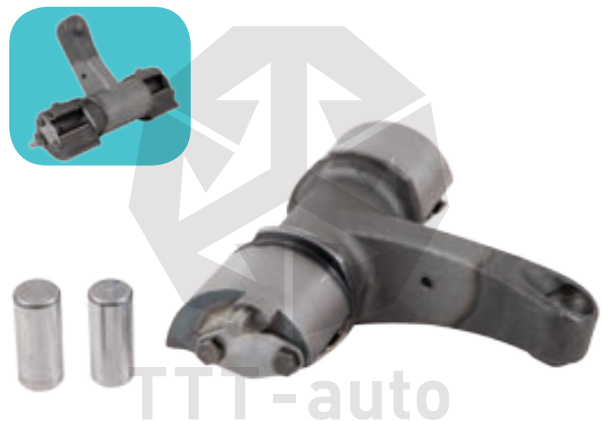
TTT No	Description	Pcs.
13488	Needle Bearing	x 2

15511 Caliper Lever - L ELSA 1



TTT No	Description	Pcs.
18742	Lever - L	x 1
14880	Roller Bearing	x 2

15510 Caliper Lever - R ELSA 1



TTT No	Description	Pcs.
18741	Lever - R	x 1
14880	Roller Bearing	x 2

19251 Spring Retainer Thrust Set - L ELSA 1 RADIAL



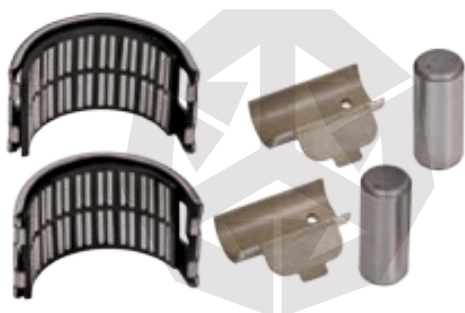
TTT No	Description	Pcs.
19246	Spring - L	x 1
17207	Spring Retainer	x 1
17208	Lever Pin	x 1
17209	Bracket	x 1

19252 Spring Retainer Thrust Set - R ELSA 1 RADIAL



TTT No	Description	Pcs.
19247	Spring - R	x 1
17207	Spring Retainer	x 1
17208	Lever Pin	x 1
17209	Bracket	x 1

16620 Caliper Bearing Set SJ4098 ELSA 1 RADIAL

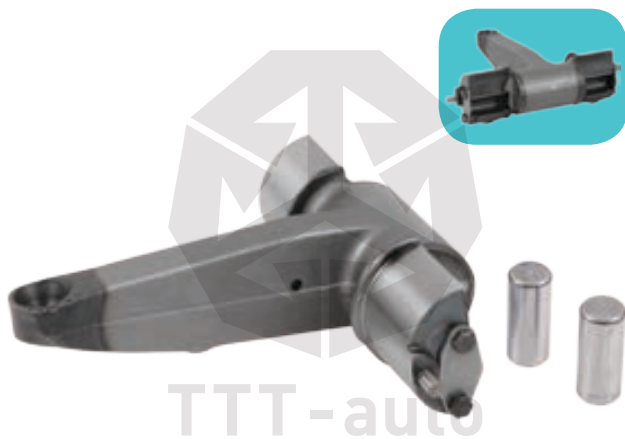


TTT No	Description	Pcs.
14844	Needle Bearing Set	x 1
14880	Roller Bearing	x 2
16621	Lever Bearing	x 2

16621 Caliper Lever Bearing ELSA 1 RADIAL

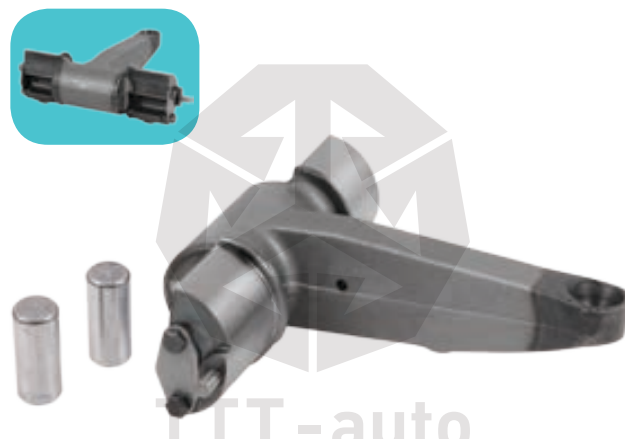


17911 Caliper Lever - L ELSA 1 RADIAL



TTT No	Description	Pcs.
18764	Lever - L	x 1
14880	Roller Bearing	x 2

17910 Caliper Lever - R ELSA 1 RADIAL



TTT No	Description	Pcs.
18763	Lever - R	x 1
14880	Roller Bearing	x 2

17940 Adjusting Mechanism
Caps & Seals Kit
68322300PK10

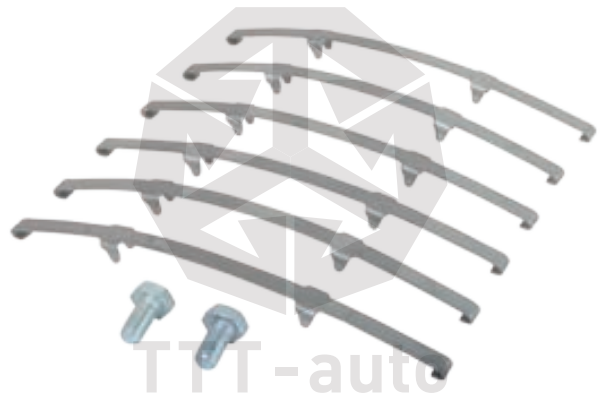
ELSA 1



TTT No	Description	Pcs.
17941	Adjusting Mechanism Cap	x 10
17942	Locking Ring	x 10
15443	Shaft Seal	x 10

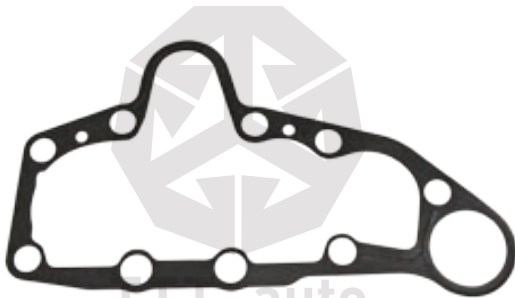
17723 Caliper Pad Spring Set
MBA108

ELSA 1



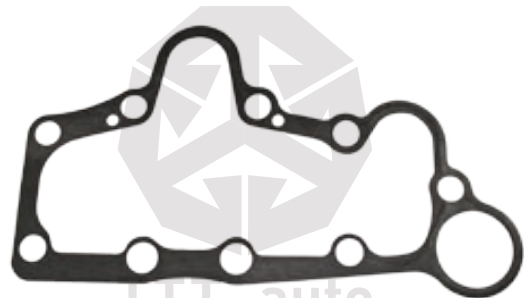
17210 Caliper Gasket

ELSA 1



17212 Caliper Gasket

ELSA 1



17213 Caliper Gasket

ELSA 1



17396 Caliper Cover Bolt Kit

ELSA 1



TTT No	Description	Pcs.
17397	Cover Bolt - M14 x 1.5 / 90 mm	x 7

17590 Caliper Cover Bolt Kit

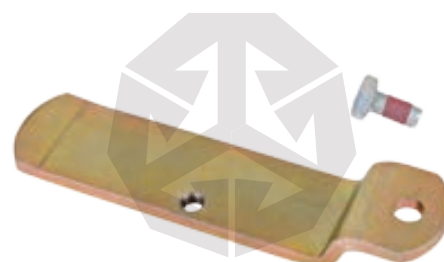
ELSA 1



TTT No	Description	Pcs.
14768	Cover Bolt - M16 x 1.5 / 55 mm	x 4

17607 Caliper Pad Retainer Kit
MCK1262

ELSA 1



16470 Caliper Complete Repair Kit - L

ELSA 1

MAN BUS A13 / A32
MAN BUS LION'S CLASSIC
New Model



TTT No	Description	Pcs.			
13443	Caliper Boot & Pin Repair Kit	x 1	15511	Caliper Lever - L	x 1
15691	Caliper Adjusting Gear Set / 35 mm - L	x 1	16745	Caliper Small Gear Mechanism - L	x 1
15465	Adjusting Mechanism Clutch System - L	x 1	17212	Caliper Gasket	x 1
13466	Caliper Adjusting Mechanism	x 1	13446	Locking Shim	x 1
17206	Spring Retainer Thrust Set - L	x 1	15707	Grease (White) - 5 g	x 1
14844	Needle Bearing Set	x 1	15718	Grease (Green) - 8 g	x 1

19084 Caliper Complete Repair Kit - L - (Without Lever)

ELSA 1

MAN BUS A13 / A32
MAN BUS LION'S CLASSIC
New Model



TTT No	Description	Pcs.			
13443	Caliper Boot & Pin Repair Kit	x 1	14850	Caliper Bearing Set	x 1
15691	Caliper Adjusting Gear Set / 35 mm - L	x 1	17212	Caliper Gasket	x 1
15465	Adjusting Mechanism Clutch System - L	x 1	13446	Locking Shim	x 1
13466	Caliper Adjusting Mechanism	x 1	15707	Grease (White) - 5 g	x 1
17206	Spring Retainer Thrust Set - L	x 1	15718	Grease (Green) - 8 g	x 1



16370 Caliper Complete Repair Kit - R

ELSA 1

MAN BUS A13 / A32
MAN BUS LION'S CLASSIC
New Model



TTT No	Description	Pcs.			
13443	Caliper Boot & Pin Repair Kit	x 1	15510	Caliper Lever - R	x 1
14691	Caliper Adjusting Gear Set / 35 mm - R	x 1	16746	Caliper Small Gear Mechanism - R	x 1
13465	Adjusting Mechanism Clutch System - R	x 1	17212	Caliper Gasket	x 1
13466	Caliper Adjusting Mechanism	x 1	13446	Locking Shim	x 1
17205	Spring Retainer Thrust Set - R	x 1	15707	Grease (White) - 5 g	x 1
14844	Needle Bearing Set	x 1	15718	Grease (Green) - 8 g	x 1

19085 Caliper Complete Repair Kit - R - (Without Lever)

ELSA 1

MAN BUS A13 / A32
MAN BUS LION'S CLASSIC
New Model



TTT No	Description	Pcs.			
13443	Caliper Boot & Pin Repair Kit	x 1	14850	Caliper Bearing Set	x 1
14691	Caliper Adjusting Gear Set / 35 mm - R	x 1	17212	Caliper Gasket	x 1
13465	Adjusting Mechanism Clutch System - R	x 1	13446	Locking Shim	x 1
13466	Caliper Adjusting Mechanism	x 1	15707	Grease (White) - 5 g	x 1
17205	Spring Retainer Thrust Set - R	x 1	15718	Grease (Green) - 8 g	x 1

16568 Caliper Complete Repair Kit - L

ELSA 1

MAN BUS A13 / A32
MAN BUS LION'S CLASSIC
Old Model



TTT No	Description	Pcs.			
13443	Caliper Boot & Pin Repair Kit	x 1	15511	Caliper Lever - L	x 1
15724	Caliper Adjusting Gear Set / 37.5 mm - L	x 1	17210	Caliper Gasket	x 1
15465	Adjusting Mechanism Clutch System - L	x 1	13446	Locking Shim	x 1
13466	Caliper Adjusting Mechanism	x 1	15707	Grease (White) - 5 g	x 1
17206	Spring Retainer Thrust Set - L	x 1	15718	Grease (Green) - 8 g	x 1
14844	Needle Bearing Set	x 1			

19088 Caliper Complete Repair Kit - L - (Without Lever)

ELSA 1

MAN BUS A13 / A32
MAN BUS LION'S CLASSIC
Old Model



TTT No	Description	Pcs.			
13443	Caliper Boot & Pin Repair Kit	x 1	14850	Caliper Bearing Set	x 1
15724	Caliper Adjusting Gear Set / 37.5 mm - L	x 1	17210	Caliper Gasket	x 1
15465	Adjusting Mechanism Clutch System - L	x 1	13446	Locking Shim	x 1
13466	Caliper Adjusting Mechanism	x 1	15707	Grease (White) - 5 g	x 1
17206	Spring Retainer Thrust Set - L	x 1	15718	Grease (Green) - 8 g	x 1



16468 Caliper Complete Repair Kit - R

ELSA 1

MAN BUS A13 / A32
MAN BUS LION'S CLASSIC
Old Model



TTT No	Description	Pcs.			
13443	Caliper Boot & Pin Repair Kit	x 1	15510	Caliper Lever - R	x 1
14724	Caliper Adjusting Gear Set / 37.5 mm - R	x 1	17210	Caliper Gasket	x 1
13465	Adjusting Mechanism Clutch System - R	x 1	13446	Locking Shim	x 1
13466	Caliper Adjusting Mechanism	x 1	15707	Grease (White) - 5 g	x 1
17205	Spring Retainer Thrust Set - R	x 1	15718	Grease (Green) - 8 g	x 1
14844	Needle Bearing Set	x 1			

19089 Caliper Complete Repair Kit - R - (Without Lever)

ELSA 1

MAN BUS A13 / A32
MAN BUS LION'S CLASSIC
Old Model



TTT No	Description	Pcs.			
13443	Caliper Boot & Pin Repair Kit	x 1	14850	Caliper Bearing Set	x 1
14724	Caliper Adjusting Gear Set / 37.5 mm - R	x 1	17210	Caliper Gasket	x 1
13465	Adjusting Mechanism Clutch System - R	x 1	13446	Locking Shim	x 1
13466	Caliper Adjusting Mechanism	x 1	15707	Grease (White) - 5 g	x 1
17205	Spring Retainer Thrust Set - R	x 1	15718	Grease (Green) - 8 g	x 1

17961 Caliper Complete Repair Kit - L

**ELSA 1
RADIAL**

MAN BUS LION'S CITY
NEOPLAN CENTROLINER
RENAULT BUS AGORA
VAN HOOL A320



TTT No	Description	Pcs.			
13444	Caliper Boot & Pin Repair Kit	x 1	14844	Needle Bearing Set	x 1
15691	Caliper Adjusting Gear Set / 35 mm - L	x 1	17911	Caliper Lever - L	x 1
17972	Adjusting Mechanism Kit - L	x 1	13446	Locking Shim	x 1
19246	Spring - L	x 1	15707	Grease (White) - 5 g	x 1
17207	Spring Retainer	x 1	15718	Grease (Green) - 8 g	x 1

17960 Caliper Complete Repair Kit - R

**ELSA 1
RADIAL**

MAN BUS LION'S CITY
NEOPLAN CENTROLINER
RENAULT BUS AGORA
VAN HOOL A320



TTT No	Description	Pcs.			
13444	Caliper Boot & Pin Repair Kit	x 1	14844	Needle Bearing Set	x 1
14691	Caliper Adjusting Gear Set / 35 mm - R	x 1	17910	Caliper Lever - R	x 1
17973	Adjusting Mechanism Kit - R	x 1	13446	Locking Shim	x 1
19247	Spring - R	x 1	15707	Grease (White) - 5 g	x 1
17207	Spring Retainer	x 1	15718	Grease (Green) - 8 g	x 1

19091 Caliper Complete Repair Kit - L - (Without Lever)

ELSA 1

MAN TGA / F2000
MAN BUS LION'S CITY/COACH/STAR
NEOPLAN CENTROLINER/TOURLINER/TROLLEY
New Model



TTT No	Description	Pcs.			
13444	Caliper Boot & Pin Repair Kit	x 1	14850	Caliper Bearing Set	x 1
15691	Caliper Adjusting Gear Set / 35 mm - L	x 1	17213	Caliper Gasket	x 1
15465	Adjusting Mechanism Clutch System - L	x 1	13446	Locking Shim	x 1
13466	Caliper Adjusting Mechanism	x 1	15707	Grease (White) - 5 g	x 1
17206	Spring Retainer Thrust Set - L	x 1	15718	Grease (Green) - 8 g	x 1

19092 Caliper Complete Repair Kit - R - (Without Lever)

ELSA 1

MAN TGA / F2000
MAN BUS LION'S CITY/COACH/STAR
NEOPLAN CENTROLINER/TOURLINER/TROLLEY
New Model

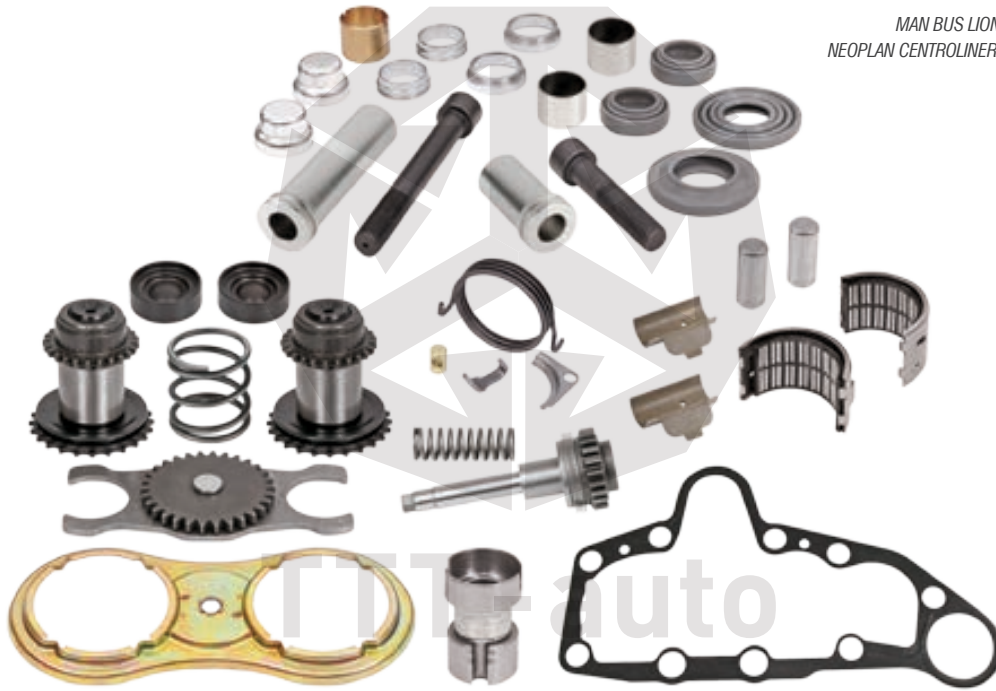


TTT No	Description	Pcs.			
13444	Caliper Boot & Pin Repair Kit	x 1	14850	Caliper Bearing Set	x 1
14691	Caliper Adjusting Gear Set / 35 mm - R	x 1	17213	Caliper Gasket	x 1
13465	Adjusting Mechanism Clutch System - R	x 1	13446	Locking Shim	x 1
13466	Caliper Adjusting Mechanism	x 1	15707	Grease (White) - 5 g	x 1
17205	Spring Retainer Thrust Set - R	x 1	15718	Grease (Green) - 8 g	x 1

19094 Caliper Complete Repair Kit - L - (Without Lever)

ELSA 1

MAN TGA / F2000
MAN BUS LION'S CITY/COACH/STAR
NEOPLAN CENTROLINER/TOURLINER/TROLLEY
Old Model



TTT No	Description	Pcs.			
13444	Caliper Boot & Pin Repair Kit	x 1	14850	Caliper Bearing Set	x 1
15724	Caliper Adjusting Gear Set / 37.5 mm - L	x 1	17210	Caliper Gasket	x 1
15465	Adjusting Mechanism Clutch System - L	x 1	13446	Locking Shim	x 1
13466	Caliper Adjusting Mechanism	x 1	15707	Grease (White) - 5 g	x 1
17206	Spring Retainer Thrust Set - L	x 1	15718	Grease (Green) - 8 g	x 1

19095 Caliper Complete Repair Kit - R - (Without Lever)

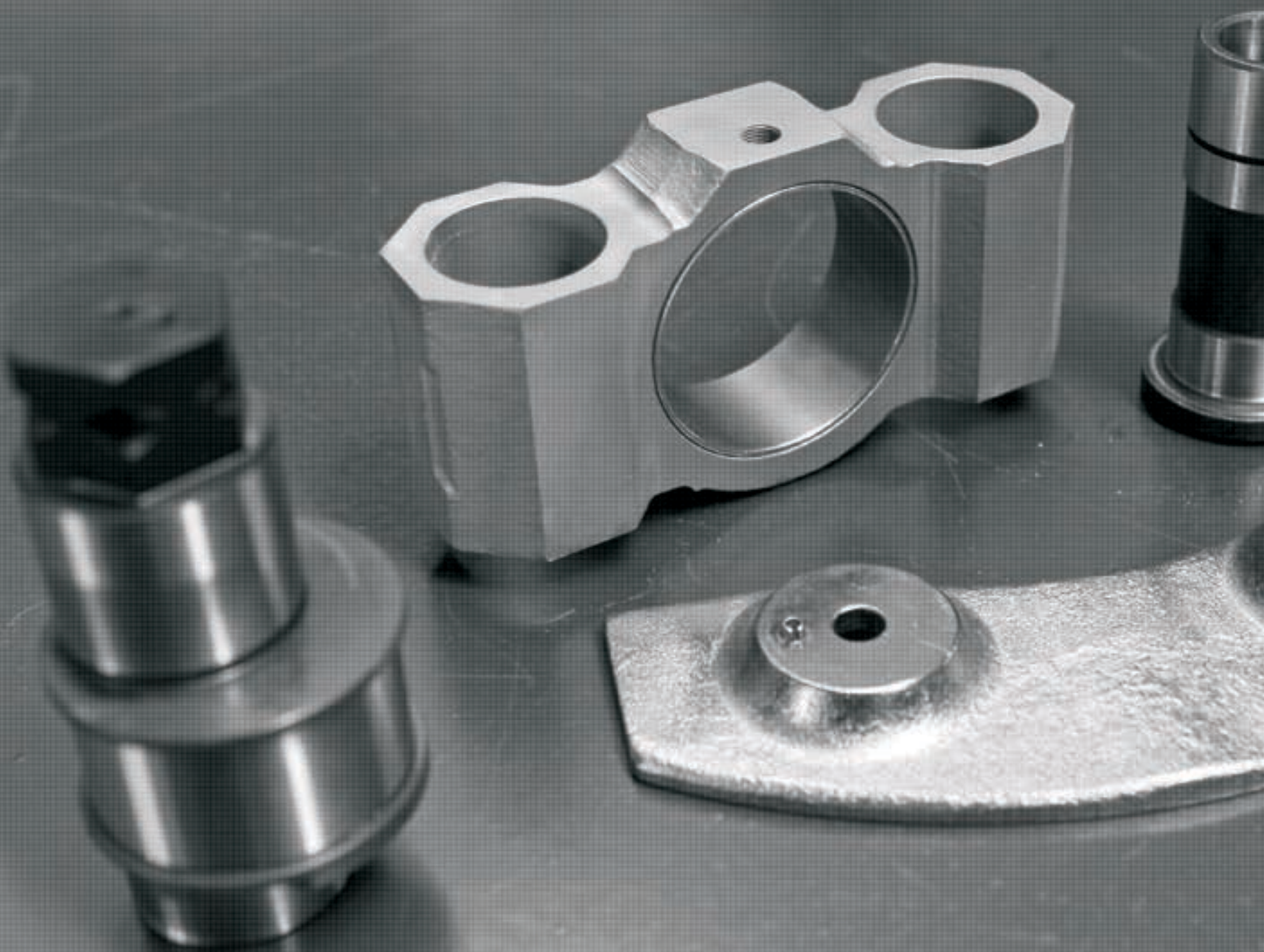
ELSA 1

MAN TGA / F2000
MAN BUS LION'S CITY/COACH/STAR
NEOPLAN CENTROLINER/TOURLINER/TROLLEY
New Model



TTT No	Description	Pcs.			
13444	Caliper Boot & Pin Repair Kit	x 1	14850	Caliper Bearing Set	x 1
14724	Caliper Adjusting Gear Set / 37.5 mm - R	x 1	17210	Caliper Gasket	x 1
13465	Adjusting Mechanism Clutch System - R	x 1	13446	Locking Shim	x 1
13466	Caliper Adjusting Mechanism	x 1	15707	Grease (White) - 5 g	x 1
17205	Spring Retainer Thrust Set - R	x 1	15718	Grease (Green) - 8 g	x 1

DX 175



17740 Caliper Boot & Pin Repair Kit

MCK1170

DX175

AUTODROMO BUS



TTT No	Description	Pcs.			
17741	Caliper Pin - Ø 28 / 96 mm	x 1	17762	End Plate Bolt - M10 x 1.5 / 20 mm	x 2
17742	Caliper Pin - Ø 28 / 96 mm	x 1	17763	End Plate Bolt - M10 x 1.5 / 25 mm	x 4
17743	Pin Bolt - M14 x 1.5 / 70 mm	x 1	17764	Cover Plate Bolt - M8 x 1.25 / 16 mm	x 2
17744	Pin Bolt - M14 x 1.5 / 50 mm	x 1	17768	Cover Plate Gasket	x 1
17745	Pin Bush - Ø 28 x 32 / 24.80 mm	x 4	17769	Plug Bolt	x 1
17746	Pin Cap - Ø 37 / 25 mm	x 2	14798	Washer	x 1
17748	Pin Boot	x 2	17318	Brake Pad Pin	x 1
17749	Tappet Boot	x 2	17319	Brake Pad Pin Locker	x 1
17849	Tappet Bolt - M8 x 1.25 / 20 mm	x 2	15707	Grease (White) - 5 g	x 1

17783 Caliper Boot & Bolt Repair Kit

DX175



TTT No	Description	Pcs.
17750	Caliper Boot Repair Kit	x 1
17746	Pin Cap - Ø 37 / 25 mm	x 2
17849	Tappet Bolt - M8 x 1.25 / 20 mm	x 2
17762	End Plate Bolt - M10 x 1.5 / 20 mm	x 2
17763	End Plate Bolt - M10 x 1.5 / 25 mm	x 4
17764	Cover Plate Bolt - M8 x 1.25 / 16 mm	x 2
17769	Plug Bolt	x 1
14798	Washer	x 1

17759 Caliper Pin Repair Kit

DX175



TTT No	Description	Pcs.
17741	Caliper Pin - Ø 28 / 96 mm	x 1
17742	Caliper Pin - Ø 28 / 96 mm	x 1
17743	Pin Bolt - M14 x 1.5 / 70 mm	x 1
17744	Pin Bolt - M14 x 1.5 / 50 mm	x 1
17745	Pin Bush - Ø 28 x 32 / 24.80 mm	x 4
17746	Pin Cap - Ø 37 / 25 mm	x 2
15707	Grease (White) - 5 g	x 1

17760 Caliper Boot & Pin Bolt Repair Kit

MCK1191



TTT No	Description	Pcs.
17743	Pin Bolt - M14 x 1.5 / 70 mm	x 1
17744	Pin Bolt - M14 x 1.5 / 50 mm	x 1
17746	Pin Cap - Ø 37 / 25 mm	x 2
17748	Pin Boot	x 2
17749	Tappet Boot	x 2

17750 Caliper Boot Repair Kit

DX175



TTT No	Description	Pcs.
17748	Pin Boot	x 2
17749	Tappet Boot	x 2



17820 Caliper Shaft & Cover Repair Kit

MCK1167
MCK1295

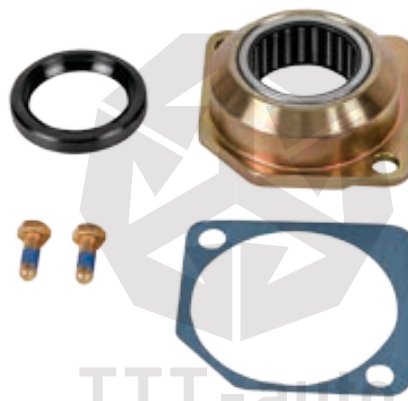
DX175



TTT No	Description	Pcs.
17720	Eccentric Shaft	x 1
17804	Dust Cover	x 1
17721	Eccentric Shaft Needle Bearing	x 1
17812	Cover Plate (With Needle Bearing & Seal)	x 1
17764	Cover Plate Bolt - M8 x 1.25 / 16 mm	x 2
17768	Cover Plate Gasket	x 1
17769	Plug Bolt	x 1
14798	Washer	x 1

17810 Caliper Cover Plate Set

DX175



TTT No	Description	Pcs.
17812	Cover Plate (With Needle Bearing & Seal)	x 1
17768	Cover Plate Gasket	x 1
17764	Cover Plate Bolt - M8 x 1.25 / 16 mm	x 2

17725 Caliper Eccentric Shaft Set

DX175



TTT No	Description	Pcs.
17720	Eccentric Shaft	x 1
17722	Needle Bearing	x 2

17823 Needle Bearing Set

DX175



TTT No	Description	Pcs.
17722	Needle Bearing	x 2

17821 Caliper Bearing Set

DX175



TTT No	Description	Pcs.
17722	Needle Bearing	x 2
17721	Eccentric Shaft Needle Bearing	x 1
17801	Shaft Housing Bearing	x 1

17803 Caliper Cover Plate Seal Set

DX175



TTT No	Description	Pcs.
17802	Cover Plate Seal	x 5

17811 Caliper Dust Cover Set

DX175



TTT No	Description	Pcs.
17804	Dust Cover	x 5

17770 Caliper Mechanism Central Fork & Pignon DX175



TTT No	Description	Pcs.
17771	Caliper Mechanism Central Fork	x 1
17772	Caliper Mechanism Pignon	x 1

17800 Caliper Shaft Housing DX175



TTT No	Description	Pcs.
17800	Caliper Shaft Housing	x 1

17844 Caliper Plate Repair Kit - L DX175



TTT No	Description	Pcs.
17846	Plate	x 1
17847	Calibration Bolt - L	x 2
17849	Tappet Bolt - M8 x 1.25 / 20 mm	x 2

17845 Caliper Plate Repair Kit - R DX175



TTT No	Description	Pcs.
17846	Plate	x 1
17848	Calibration Bolt - R	x 2
17849	Tappet Bolt - M8 x 1.25 / 20 mm	x 2

17851 Caliper Piston & Pignon Repair Set - L DX175



TTT No	Description	Pcs.
17861	Piston - L	x 2
17860	Pignon	x 2

17852 Caliper Piston & Pignon Repair Set - R DX175



TTT No	Description	Pcs.
17862	Piston - R	x 2
17860	Pignon	x 2

17878 Caliper Shaft Housing & Piston Set - L DX175



TTT No	Description	Pcs.
17800	Caliper Shaft Housing	x 1
17861	Piston - L	x 2
17860	Pignon	x 2
17771	Caliper Mechanism Central Fork	x 1
17772	Caliper Mechanism Pignon	x 1

17879 Caliper Shaft Housing & Piston Set - R DX175



TTT No	Description	Pcs.
17800	Caliper Shaft Housing	x 1
17862	Piston - R	x 2
17860	Pignon	x 2
17771	Caliper Mechanism Central Fork	x 1
17772	Caliper Mechanism Pignon	x 1

17893 Caliper Repair Kit- L

DX175



TTT No	Description	Pcs.
17800	Caliper Shaft Housing	x 1
17861	Piston - L	x 2
17860	Pignon	x 2
17771	Caliper Mechanism Central Fork	x 1
17772	Caliper Mechanism Pignon	x 1
17846	Plate	x 1
17847	Calibration Bolt - L	x 2
17849	Tappet Bolt - M8 x 1.25 / 20 mm	x 2

17894 Caliper Repair Kit- R

DX175



TTT No	Description	Pcs.
17800	Caliper Shaft Housing	x 1
17862	Piston - R	x 2
17860	Pignon	x 2
17771	Caliper Mechanism Central Fork	x 1
17772	Caliper Mechanism Pignon	x 1
17846	Plate	x 1
17848	Calibration Bolt - R	x 2
17849	Tappet Bolt - M8 x 1.25 / 20 mm	x 2

17936 Caliper Repair Kit- L

DX175



TTT No	Description	Pcs.
17800	Caliper Shaft Housing	x 1
17861	Piston - L	x 2
17860	Pignon	x 2
17863	Wavy Washer	x 2
17864	Ring	x 2
17846	Plate	x 1
17847	Calibration Bolt - L	x 2
17849	Tappet Bolt - M8 x 1.25 / 20 mm	x 2
17749	Tappet Boot	x 2
16913	End Plate Cap - Ø 37 / 15 mm	x 1

17937 Caliper Repair Kit- R

DX175



TTT No	Description	Pcs.
17800	Caliper Shaft Housing	x 1
17862	Piston - R	x 2
17860	Pignon	x 2
17863	Wavy Washer	x 2
17864	Ring	x 2
17846	Plate	x 1
17848	Calibration Bolt - R	x 2
17849	Tappet Bolt - M8 x 1.25 / 20 mm	x 2
17749	Tappet Boot	x 2
16913	End Plate Cap - Ø 37 / 15 mm	x 1

17901 Caliper Mechanism Repair Kit - L

DX175
HALF SET



TTT No	Description	Pcs.
17897	Adjusting Mechanism - L	x 1
16277	Pignon	x 1
16278	Spring	x 1
17863	Wavy Washer	x 2
17864	Ring	x 2
16288	Seal	x 2

17902 Caliper Mechanism Repair Kit - R

DX175
HALF SET



TTT No	Description	Pcs.
17898	Adjusting Mechanism - R	x 1
16277	Pignon	x 1
16278	Spring	x 1
17863	Wavy Washer	x 2
17864	Ring	x 2
16288	Seal	x 2

17943 Caliper Mechanism Repair Kit - L

DX175
FULL SET



TTT No	Description	Pcs.
17897	Adjusting Mechanism - L	x 1
16277	Pignon	x 1
16278	Spring	x 1
17863	Wavy Washer	x 2
17864	Ring	x 2
16288	Seal	x 2
17771	Caliper Mechanism Central Fork	x 1
17772	Caliper Mechanism Pignon	x 1
17763	End Plate Bolt - M10 x 1.5 / 25 mm	x 6
17762	End Plate Bolt - M10 x 1.5 / 20 mm	x 2
17769	Plug Bolt	x 1
14798	Washer	x 1

17944 Caliper Mechanism Repair Kit - R

DX175
FULL SET



TTT No	Description	Pcs.
17898	Adjusting Mechanism - R	x 1
16277	Pignon	x 1
16278	Spring	x 1
17863	Wavy Washer	x 2
17864	Ring	x 2
16288	Seal	x 2
17771	Caliper Mechanism Central Fork	x 1
17772	Caliper Mechanism Pignon	x 1
17763	End Plate Bolt - M10 x 1.5 / 25 mm	x 6
17762	End Plate Bolt - M10 x 1.5 / 20 mm	x 2
17769	Plug Bolt	x 1
14798	Washer	x 1

18171 Caliper Actuator End Plate Left DX175



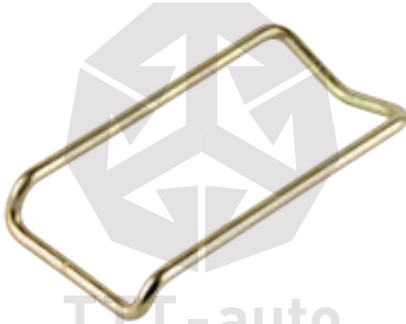
TTT - auto

18172 Caliper Actuator End Plate Right DX175



TTT - auto

17761 Caliper Pad Retainer DX175

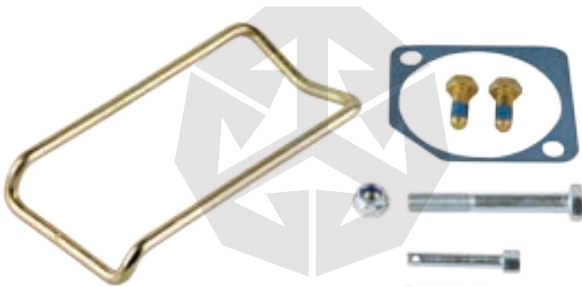


TTT - auto

15707 Grease (White) - For Brass Bush



19233 Caliper Pad Retainer Kit MCK1153 DX175



TTT - auto

15718 Grease (Green) - For Rubber Bush



TTT No	Description	Pcs.
17761	Caliper Pad Retainer	x 1
17764	Cover Plate Bolt - M8 x 1.25 / 16 mm	x 2
17768	Cover Plate Gasket	x 1
19241	Lever Bolt - M8 x 1.25 / 60 mm	x 1
19242	Lever Nut - M8 x 1.25	x 1
17318	Brake Pad Pin	x 1
17319	Brake Pad Pin Locker	x 1

17951 Caliper Complete Repair Kit - L

DX175

AUTODROMO BUS



TTT No	Description	Pcs.			
17740	Caliper Boot & Pin Repair Kit	x 1	17721	Eccentric Shaft Needle Bearing	x 1
17878	Caliper Shaft Housing & Piston Set - L	x 1	17812	Cover Plate (With Needle Bearing & Seal)	x 1
17901	Caliper Mechanism Repair Kit- L (Half Set)	x 1	17804	Dust Cover	x 1
17846	Plate	x 1	16913	End Plate Cap - Ø 37 / 15 mm	x 1
17847	Calibration Bolt - L	x 2	17761	Caliper Pad Retainer	x 1
17720	Eccentric Shaft	x 1	15707	Grease (White) - 5 g	x 1
17722	Needle Bearing	x 1	15718	Grease (Green) - 8 g	x 1

17952 Caliper Complete Repair Kit - R

DX175

AUTODROMO BUS



TTT No	Description	Pcs.			
17740	Caliper Boot & Pin Repair Kit	x 1	17721	Eccentric Shaft Needle Bearing	x 1
17879	Caliper Shaft Housing & Piston Set - R	x 1	17812	Cover Plate (With Needle Bearing & Seal)	x 1
17902	Caliper Mechanism Repair Kit- R (Half Set)	x 1	17804	Dust Cover	x 1
17846	Plate	x 1	16913	End Plate Cap - Ø 37 / 15 mm	x 1
17848	Calibration Bolt - R	x 2	17761	Caliper Pad Retainer	x 1
17720	Eccentric Shaft	x 1	15707	Grease (White) - 5 g	x 1
17722	Needle Bearing	x 1	15718	Grease (Green) - 8 g	x 1

DX 195



14811 Caliper Boot & Pin Repair Kit

MCK1171

DX195

ROR Axle LM / LC / TM

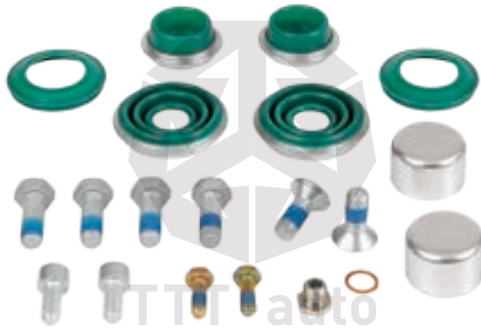


TTT No	Description	Pcs.
14757	Caliper Pin - Ø 32 / 97-37 mm	x 1
14653	Caliper Pin - Ø 32 / 97-62 mm	x 1
14767	Pin Bolt - M16 x 1.5 / 80 mm	x 1
14768	Pin Bolt - M16 x 1.5 / 55 mm	x 1
14759	Pin Bush - Ø 32 x 36 / 55 mm	x 2
14793	Pin Cap - Ø 42 / 28 mm	x 2
14792	Pin Boot	x 2
16708	Tappet Boot	x 2
16709	Tappet Boot Seal	x 2
14795	Tappet Bolt - M10 x 1.5 / 20 mm	x 2

14796	End Plate Bolt - M12 x 1.75 / 20 mm	x 2
14789	End Plate Bolt - M12 x 1.75 / 30 mm	x 4
14790	Cover Plate Bolt - M8 x 1.25 / 20 mm	x 2
15491	Cover Plate Gasket	x 1
14797	Plug Bolt	x 1
14798	Washer	x 1
17318	Brake Pad Pin	x 1
17319	Brake Pad Pin Locker	x 1
15707	Grease (White) - 5 g	x 1

18574 Caliper Boot & Bolt Repair Kit

DX195



TTT No	Description	Pcs.
18572	Caliper Boot Repair Kit	x 1
14793	Pin Cap - Ø 42 / 28 mm	x 2
14795	Tappet Bolt - M10 x 1.5 / 20 mm	x 2
14796	End Plate Bolt - M12 x 1.75 / 20 mm	x 2
14789	End Plate Bolt - M12 x 1.75 / 30 mm	x 4
14790	Cover Plate Bolt - M8 x 1.25 / 20 mm	x 2
14797	Plug Bolt	x 1
14798	Washer	x 1

14869 Caliper Pin Repair Kit

DX195



TTT No	Description	Pcs.
14757	Caliper Pin - Ø 32 / 97-37 mm	x 1
14653	Caliper Pin - Ø 32 / 97-62 mm	x 1
14767	Pin Bolt - M16 x 1.5 / 80 mm	x 1
14768	Pin Bolt - M16 x 1.5 / 55 mm	x 1
14759	Pin Bush - Ø 32 x 36 / 55 mm	x 2
14793	Pin Cap - Ø 42 / 28 mm	x 2
15707	Grease (White) - 5 g	x 1

14815 Caliper Boot & Pin Bolt Repair Kit

MCK1192

DX195



TTT No	Description	Pcs.
14767	Pin Bolt - M16 x 1.5 / 80 mm	x 1
14768	Pin Bolt - M16 x 1.5 / 55 mm	x 1
14793	Pin Cap - Ø 42 / 28 mm	x 2
14792	Pin Boot	x 2
16708	Tappet Boot	x 2
16709	Tappet Boot Seal	x 2

18572 Caliper Boot Repair Kit

DX195



TTT No	Description	Pcs.
14792	Pin Boot	x 2
16708	Tappet Boot	x 2
16709	Tappet Boot Seal	x 2

16440 Caliper Shaft & Cover Repair Kit

MCK1168 MCK1294 MCK1169

DX195



TTT No	Description	Pcs.
15104	Eccentric Shaft	x 1
16638	Bevel Washer	x 1
15107	Seal	x 1
16098	Dust Cover	x 1
16099	Eccentric Shaft Needle Bearing	x 1
16267	Cover Plate (With Needle Bearing & Seal)	x 1
14790	Cover Plate Bolt - M8 x 1.25 / 20 mm	x 2
15491	Cover Plate Gasket	x 1
14797	Plug Bolt	x 1
14798	Washer	x 1

16426 Caliper Cover Plate Set

DX195



TTT No	Description	Pcs.
16267	Cover Plate (With Needle Bearing & Seal)	x 1
15491	Cover Plate Gasket	x 1
14790	Cover Plate Bolt - M8 x 1.25 / 20 mm	x 2

15105 Caliper Eccentric Shaft Set

DX195



TTT No	Description	Pcs.
15104	Eccentric Shaft	x 1
15106	Needle Bearing	x 2
15107	Seal	x 1

16431 Needle Bearing Set

DX195



TTT No	Description	Pcs.
15106	Needle Bearing	x 2

15914 Caliper Bearing Set

MCK1344

DX195



TTT No	Description	Pcs.
15106	Needle Bearing	x 2
16099	Eccentric Shaft Needle Bearing	x 1
16393	Shaft Housing Bearing	x 1

16498 Caliper Cover Plate Seal Set

DX195



TTT No	Description	Pcs.
16483	Cover Plate Seal	x 5

16473 Caliper Dust Cover Set

DX195



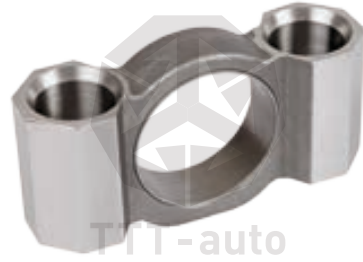
TTT No	Description	Pcs.
16098	Dust Cover	x 5

16045 Caliper Mechanism Central Fork & Pignon DX195



TTT No	Description	Pcs.
16142	Caliper Mechanism Central Fork	x 1
16146	Caliper Mechanism Pignon	x 1

16100 Caliper Shaft Housing DX195



17049 Caliper Plate Repair Kit - L DX195



TTT No	Description	Pcs.
16063	Plate	x 1
17074	Calibration Bolt - L	x 2
14795	Tappet Bolt - M10 x 1.5 / 20 mm	x 2

16049 Caliper Plate Repair Kit - R DX195



TTT No	Description	Pcs.
16063	Plate	x 1
16064	Calibration Bolt - R	x 2
14795	Tappet Bolt - M10 x 1.5 / 20 mm	x 2

16105 Caliper Piston & Pignon Repair Set - L DX195



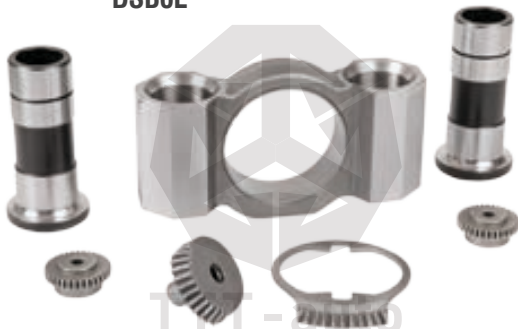
TTT No	Description	Pcs.
16101	Piston - L	x 2
16102	Pignon	x 2

16106 Caliper Piston & Pignon Repair Set - R DX195



TTT No	Description	Pcs.
16103	Piston - R	x 2
16102	Pignon	x 2

16228 Caliper Shaft Housing & Piston Set - L DSB6L DX195



TTT No	Description	Pcs.
16100	Caliper Shaft Housing	x 1
16101	Piston - L	x 2
16102	Pignon	x 2
16142	Caliper Mechanism Central Fork	x 1
16146	Caliper Mechanism Pignon	x 1

16229 Caliper Shaft Housing & Piston Set - R DSB6R DX195



TTT No	Description	Pcs.
16100	Caliper Shaft Housing	x 1
16103	Piston - R	x 2
16102	Pignon	x 2
16142	Caliper Mechanism Central Fork	x 1
16146	Caliper Mechanism Pignon	x 1

16182 Caliper Repair Kit- L

DX195



TTT No	Description	Pcs.
16100	Caliper Shaft Housing	x 1
16101	Piston - L	x 2
16102	Pignon	x 2
16142	Caliper Mechanism Central Fork	x 1
16146	Caliper Mechanism Pignon	x 1
16063	Plate	x 1
17074	Calibration Bolt - L	x 2
14795	Tappet Bolt - M10 x 1.5 / 20 mm	x 2

16183 Caliper Repair Kit- R

DX195



TTT No	Description	Pcs.
16100	Caliper Shaft Housing	x 1
16103	Piston - R	x 2
16102	Pignon	x 2
16142	Caliper Mechanism Central Fork	x 1
16146	Caliper Mechanism Pignon	x 1
16063	Plate	x 1
16064	Calibration Bolt - R	x 2
14795	Tappet Bolt - M10 x 1.5 / 20 mm	x 2

16911 Caliper Repair Kit- L MCK1292

DX195



TTT No	Description	Pcs.
16100	Caliper Shaft Housing	x 1
16101	Piston - L	x 2
16102	Pignon	x 2
16063	Plate	x 1
17074	Calibration Bolt - L	x 2
14795	Tappet Bolt - M10 x 1.5 / 20 mm	x 2
16708	Tappet Boot	x 2
16709	Tappet Boot Seal	x 2
16913	End Plate Cap - Ø 37 / 15 mm	x 1
16279	Wavy Washer	x 2
16287	Ring	x 2

16912 Caliper Repair Kit- R MCK1293

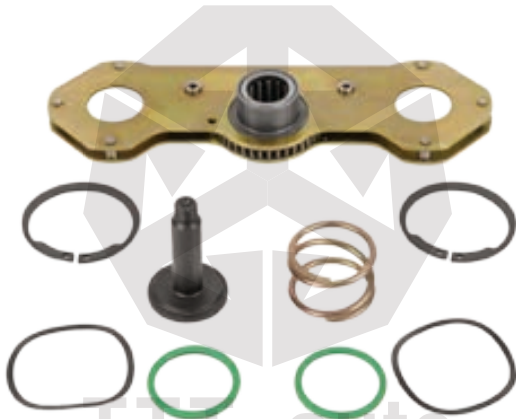
DX195



TTT No	Description	Pcs.
16100	Caliper Shaft Housing	x 1
16103	Piston - R	x 2
16102	Pignon	x 2
16063	Plate	x 1
16064	Calibration Bolt - R	x 2
14795	Tappet Bolt - M10 x 1.5 / 20 mm	x 2
16708	Tappet Boot	x 2
16709	Tappet Boot Seal	x 2
16913	End Plate Cap - Ø 37 / 15 mm	x 1
16279	Wavy Washer	x 2
16287	Ring	x 2

16208 Caliper Mechanism Repair Kit - L DSB5L

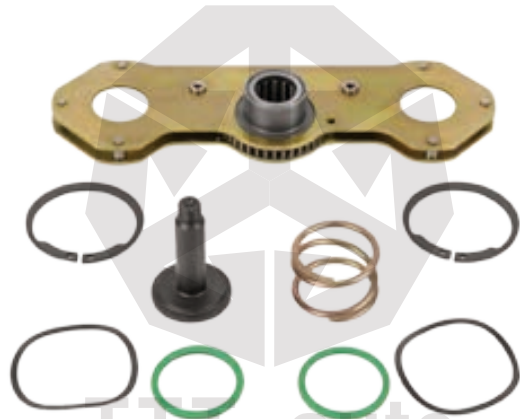
DX195
HALF SET



TTT No	Description	Pcs.
16268	Adjusting Mechanism - L	x 1
16277	Pignon	x 1
16278	Spring	x 1
16279	Wavy Washer	x 2
16287	Ring	x 2
16288	Seal	x 2

16209 Caliper Mechanism Repair Kit - R DSB6R

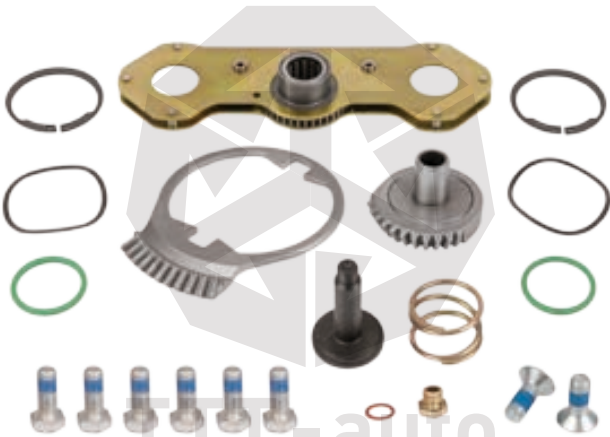
DX195
HALF SET



TTT No	Description	Pcs.
16269	Adjusting Mechanism - R	x 1
16277	Pignon	x 1
16278	Spring	x 1
16279	Wavy Washer	x 2
16287	Ring	x 2
16288	Seal	x 2

16218 Caliper Mechanism Repair Kit - L MCK1290

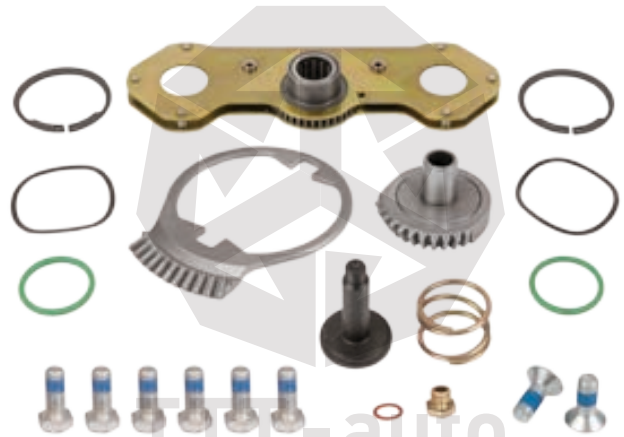
DX195
FULL SET



TTT No	Description	Pcs.
16268	Adjusting Mechanism - L	x 1
16277	Pignon	x 1
16278	Spring	x 1
16279	Wavy Washer	x 2
16287	Ring	x 2
16288	Seal	x 2
16142	Caliper Mechanism Central Fork	x 1
16146	Caliper Mechanism Pignon	x 1
14789	End Plate Bolt - M12 x 1.75 / 30 mm	x 6
14796	End Plate Bolt - M12 x 1.75 / 20 mm	x 2
14797	Plug Bolt	x 1
14798	Washer	x 1

16219 Caliper Mechanism Repair Kit - R MCK1291

DX195
FULL SET



TTT No	Description	Pcs.
16269	Adjusting Mechanism - R	x 1
16277	Pignon	x 1
16278	Spring	x 1
16279	Wavy Washer	x 2
16287	Ring	x 2
16288	Seal	x 2
16142	Caliper Mechanism Central Fork	x 1
16146	Caliper Mechanism Pignon	x 1
14789	End Plate Bolt - M12 x 1.75 / 30 mm	x 6
14796	End Plate Bolt - M12 x 1.75 / 20 mm	x 2
14797	Plug Bolt	x 1
14798	Washer	x 1

18193 Caliper Actuator End Plate Left DX195



TTT - auto

18194 Caliper Actuator End Plate Right DX195



TTT - auto

16969 Caliper Lever MCK1160 DX195 80 mm



TTT - auto

16227 Caliper Lever MCK1161 DX195 90 mm



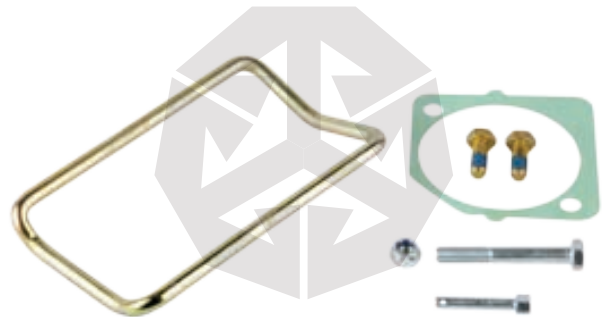
TTT - auto

16179 Caliper Pad Retainer 2297J6692 DX195



TTT - auto

17232 Caliper Pad Retainer Kit MCK1154 DX195



TTT - auto

16983 Caliper Pad Spring Set MBA100 DX195



TTT - auto

TTT No	Description	Pcs.
16179	Caliper Pad Retainer	x 1
14790	Cover Plate Bolt - M8 x 1.25 / 20 mm	x 2
15491	Cover Plate Gasket	x 1
19241	Lever Bolt - M8 x 1.25 / 60 mm	x 1
19242	Lever Nut - M8 x 1.25	x 1
17318	Brake Pad Pin	x 1
17319	Brake Pad Pin Locker	x 1

16490 Caliper Complete Repair Kit - L

DX195

ROR Axle LM / LC / TM



TTT No	Description	Pcs.		
14811	Caliper Boot & Pin Repair Kit	x 1	16638	Bevel Washer x 1
16228	Caliper Shaft Housing & Piston Set - L	x 1	16267	Cover Plate (With Needle Bearing & Seal) x 1
16208	Caliper Mechanism Repair Kit- L (Half Set)	x 1	16098	Dust Cover x 1
16063	Plate	x 1	16913	End Plate Cap - Ø 37 / 15 mm x 1
17074	Calibration Bolt - L	x 2	16227	Caliper Lever x 1
15104	Eccentric Shaft	x 1	16179	Caliper Pad Retainer x 1
15106	Needle Bearing	x 1	15707	Grease (White) - 5 g x 1
15107	Seal	x 1	15718	Grease (Green) - 8 g x 1
16099	Eccentric Shaft Needle Bearing	x 1		

16480 Caliper Complete Repair Kit - R

DX195

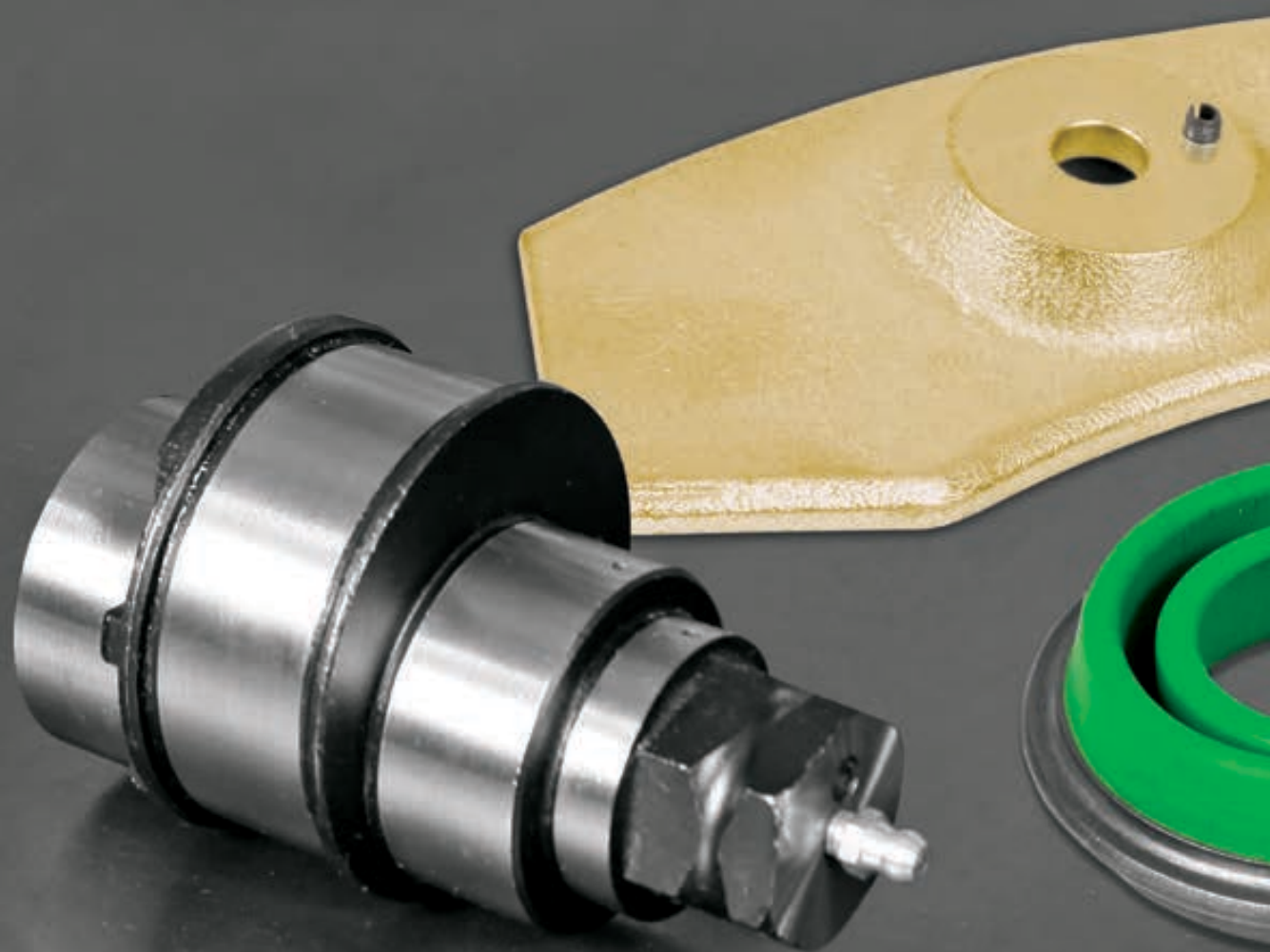
ROR Axle LM / LC / TM



TTT No	Description	Pcs.		
14811	Caliper Boot & Pin Repair Kit	x 1	16638	Bevel Washer x 1
16229	Caliper Shaft Housing & Piston Set - R	x 1	16267	Cover Plate (With Needle Bearing & Seal) x 1
16209	Caliper Mechanism Repair Kit- R (Half Set)	x 1	16098	Dust Cover x 1
16063	Plate	x 1	16913	End Plate Cap - Ø 37 / 15 mm x 1
16064	Calibration Bolt - R	x 2	16227	Caliper Lever x 1
15104	Eccentric Shaft	x 1	16179	Caliper Pad Retainer x 1
15106	Needle Bearing	x 1	15707	Grease (White) - 5 g x 1
15107	Seal	x 1	15718	Grease (Green) - 8 g x 1
16099	Eccentric Shaft Needle Bearing	x 1		



DX 225



18180 Caliper Boot & Pin Repair Kit

MCK1172

DX225

IRISBUS CITYBUS
BREDAMENARINI BUS



TTT No	Description	Pcs.
18181	Caliper Long Pin - Ø 35 / 98 mm	x 1
18182	Caliper Short Pin - Ø 35 / 98 mm	x 1
18183	Pin Bolt Long - M18 x 2.5 / 90 mm	x 1
18184	Pin Bolt Short - M18 x 2.5 / 55 mm	x 1
18185	Pin Bush - Ø 35 x 39 / 50 mm	x 2
18186	Pin Cap - Ø 42 / 31 mm	x 2
18604	Pin Boot	x 2
18605	Tappet Boot	x 2
18606	Tappet Boot Seal	x 2
14795	Tappet Bolt - M10 x 1.5 / 20 mm	x 2
14796	End Plate Bolt - M12 x 1.75 / 20 mm	x 2
14789	End Plate Bolt - M12 x 1.75 / 30 mm	x 4
14790	Cover Plate Bolt - M8 x 1.25 / 20 mm	x 2
15491	Cover Plate Gasket	x 1
14797	Plug Bolt	x 1
14798	Washer	x 1
17318	Brake Pad Pin	x 1
17319	Brake Pad Pin Locker	x 1
15707	Grease (White) - 5 g	x 1

18196 Caliper Boot & Bolt Repair Kit

DX225



TTT No	Description	Pcs.
18610	Caliper Boot Repair Kit	x 1
18186	Pin Cap - Ø 42 / 31 mm	x 2
14795	Tappet Bolt - M10 x 1.5 / 20 mm	x 2
14796	End Plate Bolt - M12 x 1.75 / 20 mm	x 2
14789	End Plate Bolt - M12 x 1.75 / 30 mm	x 4
14790	Cover Plate Bolt - M8 x 1.25 / 20 mm	x 2

18199 Caliper Pin Repair Kit

DX225



TTT No	Description	Pcs.
18181	Caliper Long Pin - Ø 35 / 98 mm	x 1
18182	Caliper Short Pin - Ø 35 / 98 mm	x 1
18183	Pin Bolt Long - M18 x 2.5 / 90 mm	x 1
18184	Pin Bolt Short - M18 x 2.5 / 55 mm	x 1
18185	Pin Bush - Ø 35 x 39 / 50 mm	x 2
18186	Pin Cap - Ø 42 / 31 mm	x 2
15707	Grease (White) - 5 g	x 1

18610 Caliper Boot Repair Kit

DX225



TTT No	Description	Pcs.
18604	Pin Boot	x 2
18605	Tappet Boot	x 2
18606	Tappet Boot Seal	x 2

18195 Caliper Boot & Pin Bolt Repair Kit

MCK1193

DX225



TTT No	Description	Pcs.
18183	Pin Bolt Long - M18 x 2.5 / 90 mm	x 1
18184	Pin Bolt Short - M18 x 2.5 / 55 mm	x 1
18186	Pin Cap - Ø 42 / 31 mm	x 2
18604	Pin Boot	x 2
18605	Tappet Boot	x 2
18606	Tappet Boot Seal	x 2



16440 Caliper Shaft & Cover Repair Kit

MCK1168 MCK1294
MCK1169

DX225



TTT No	Description	Pcs.
15104	Eccentric Shaft	x 1
16638	Bevel Washer	x 1
15107	Seal	x 1
16098	Dust Cover	x 1
16099	Eccentric Shaft Needle Bearing	x 1
16267	Cover Plate (With Needle Bearing & Seal)	x 1
14790	Cover Plate Bolt - M8 x 1.25 / 20 mm	x 2
15491	Cover Plate Gasket	x 1
14797	Plug Bolt	x 1
14798	Washer	x 1

16426 Caliper Cover Plate Set

DX225



TTT No	Description	Pcs.
16267	Cover Plate (With Needle Bearing & Seal)	x 1
15491	Cover Plate Gasket	x 1
14790	Cover Plate Bolt - M8 x 1.25 / 20 mm	x 2

15105 Caliper Eccentric Shaft Set

DX225



TTT No	Description	Pcs.
15104	Eccentric Shaft	x 1
15106	Needle Bearing	x 2
15107	Seal	x 1

16431 Needle Bearing Set

DX225



TTT No	Description	Pcs.
15106	Needle Bearing	x 2

15914 Caliper Bearing Set

MCK1344

DX225



TTT No	Description	Pcs.
15106	Needle Bearing	x 2
16099	Eccentric Shaft Needle Bearing	x 1
16393	Shaft Housing Bearing	x 1

16498 Caliper Cover Plate Seal Set

DX225



TTT No	Description	Pcs.
16483	Cover Plate Seal	x 5

16473 Caliper Dust Cover Set

DX225



TTT No	Description	Pcs.
16098	Dust Cover	x 5

16045 Caliper Mechanism Central Fork & Pignon DX225



TTT No	Description	Pcs.
16142	Caliper Mechanism Central Fork	x 1
16146	Caliper Mechanism Pignon	x 1

18060 Caliper Shaft Housing DX225



18663 Caliper Plate Repair Kit - L DX225



TTT No	Description	Pcs.
18662	Plate	x 1
17074	Calibration Bolt - L	x 2
14795	Tappet Bolt - M10 x 1.5 / 20 mm	x 2

18664 Caliper Plate Repair Kit - R DX225



TTT No	Description	Pcs.
18662	Plate	x 1
16064	Calibration Bolt - R	x 2
14795	Tappet Bolt - M10 x 1.5 / 20 mm	x 2

18607 Caliper Piston & Pignon Repair Set - L DX225



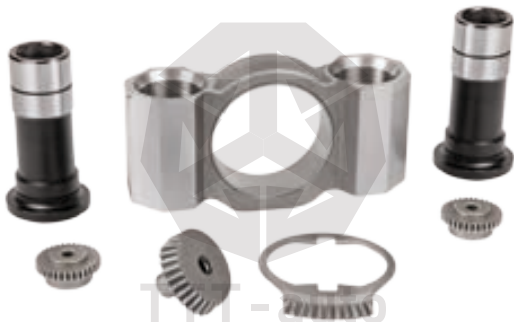
TTT No	Description	Pcs.
18593	Piston - L	x 2
16102	Pignon	x 2

18608 Caliper Piston & Pignon Repair Set - R DX225



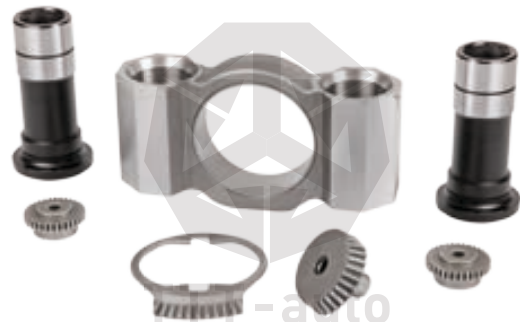
TTT No	Description	Pcs.
18594	Piston - R	x 2
16102	Pignon	x 2

18561 Caliper Shaft Housing & Piston Set - L DX225



TTT No	Description	Pcs.
18060	Caliper Shaft Housing	x 1
18593	Piston - L	x 2
16102	Pignon	x 2
16142	Caliper Mechanism Central Fork	x 1
16146	Caliper Mechanism Pignon	x 1

18562 Caliper Shaft Housing & Piston Set - R DX225



TTT No	Description	Pcs.
18060	Caliper Shaft Housing	x 1
18594	Piston - R	x 2
16102	Pignon	x 2
16142	Caliper Mechanism Central Fork	x 1
16146	Caliper Mechanism Pignon	x 1

18597 Caliper Repair Kit- L

DX225



TTT No	Description	Pcs.
18060	Caliper Shaft Housing	x 1
18593	Piston - L	x 2
16102	Pignon	x 2
16142	Caliper Mechanism Central Fork	x 1
16146	Caliper Mechanism Pignon	x 1
18662	Plate	x 1
17074	Calibration Bolt - L	x 2
14795	Tappet Bolt - M10 x 1.5 / 20 mm	x 2

18598 Caliper Repair Kit- R

DX225



TTT No	Description	Pcs.
18060	Caliper Shaft Housing	x 1
18594	Piston - R	x 2
16102	Pignon	x 2
16142	Caliper Mechanism Central Fork	x 1
16146	Caliper Mechanism Pignon	x 1
18662	Plate	x 1
16064	Calibration Bolt - R	x 2
14795	Tappet Bolt - M10 x 1.5 / 20 mm	x 2

18698 Caliper Repair Kit- L

DX225



TTT No	Description	Pcs.
18060	Caliper Shaft Housing	x 1
18593	Piston - L	x 2
16102	Pignon	x 2
18662	Plate	x 1
17074	Calibration Bolt - L	x 2
14795	Tappet Bolt - M10 x 1.5 / 20 mm	x 2
18605	Tappet Boot	x 2
18606	Tappet Boot Seal	x 2
16913	End Plate Cap - Ø 37 / 15 mm	x 1
16279	Wavy Washer	x 2
16287	Ring	x 2

18699 Caliper Repair Kit- R

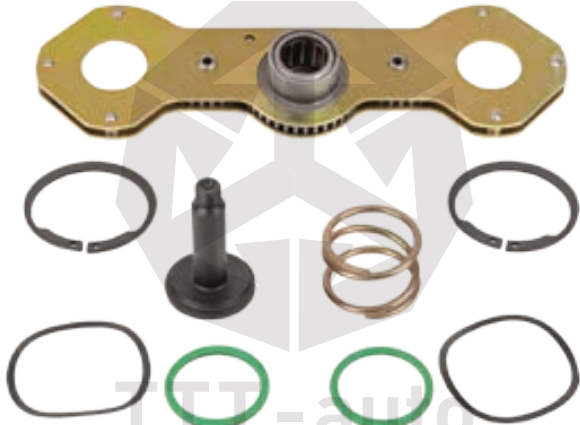
DX225



TTT No	Description	Pcs.
18060	Caliper Shaft Housing	x 1
18594	Piston - R	x 2
16102	Pignon	x 2
18662	Plate	x 1
16064	Calibration Bolt - R	x 2
14795	Tappet Bolt - M10 x 1.5 / 20 mm	x 2
18605	Tappet Boot	x 2
18606	Tappet Boot Seal	x 2
16913	End Plate Cap - Ø 37 / 15 mm	x 1
16279	Wavy Washer	x 2
16287	Ring	x 2

18534 Caliper Mechanism Repair Kit - L

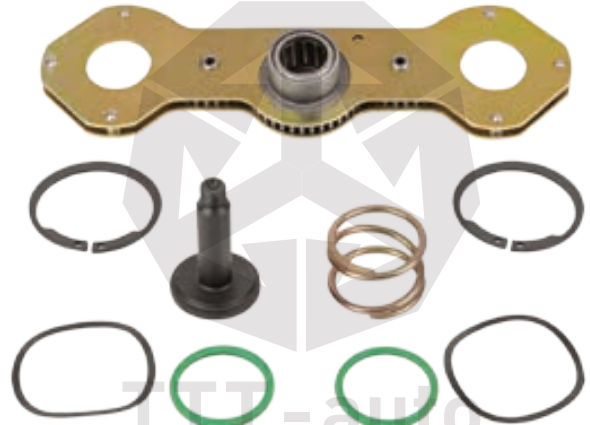
DX225
HALF SET



TTT No	Description	Pcs.
16736	Adjusting Mechanism - L	x 1
16277	Pignon	x 1
16278	Spring	x 1
16279	Wavy Washer	x 2
16287	Ring	x 2
16288	Seal	x 2

18535 Caliper Mechanism Repair Kit - R

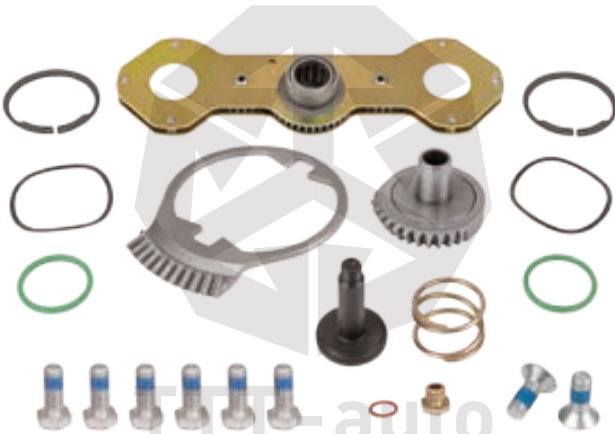
DX225
HALF SET



TTT No	Description	Pcs.
16735	Adjusting Mechanism - R	x 1
16277	Pignon	x 1
16278	Spring	x 1
16279	Wavy Washer	x 2
16287	Ring	x 2
16288	Seal	x 2

18548 Caliper Mechanism Repair Kit - L

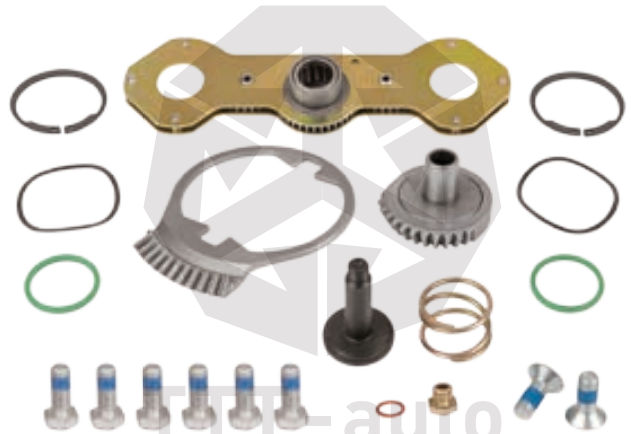
DX225
FULL SET



TTT No	Description	Pcs.
16736	Adjusting Mechanism - L	x 1
16277	Pignon	x 1
16278	Spring	x 1
16279	Wavy Washer	x 2
16287	Ring	x 2
16288	Seal	x 2
16142	Caliper Mechanism Central Fork	x 1
16146	Caliper Mechanism Pignon	x 1
14789	End Plate Bolt - M12 x 1.75 / 30 mm	x 6
14796	End Plate Bolt - M12 x 1.75 / 20 mm	x 2
14797	Plug Bolt	x 1
14798	Washer	x 1

18549 Caliper Mechanism Repair Kit - R

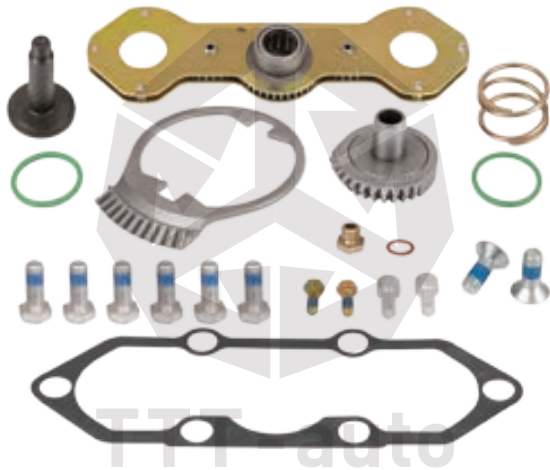
DX225
FULL SET



TTT No	Description	Pcs.
16735	Adjusting Mechanism - R	x 1
16277	Pignon	x 1
16278	Spring	x 1
16279	Wavy Washer	x 2
16287	Ring	x 2
16288	Seal	x 2
16142	Caliper Mechanism Central Fork	x 1
16146	Caliper Mechanism Pignon	x 1
14789	End Plate Bolt - M12 x 1.75 / 30 mm	x 6
14796	End Plate Bolt - M12 x 1.75 / 20 mm	x 2
14797	Plug Bolt	x 1
14798	Washer	x 1

18743 Caliper Mechanism Repair Kit - L MCK1336

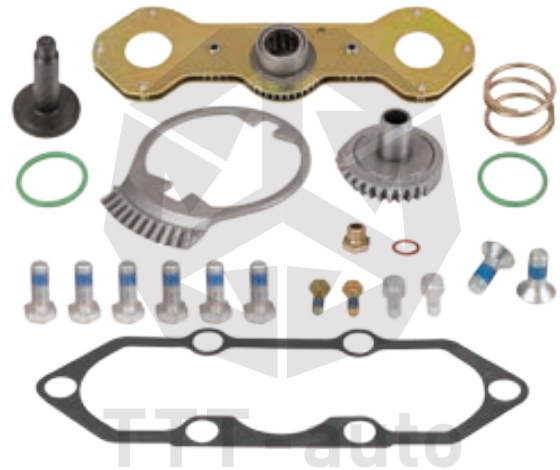
DX225



TTT No	Description		Pcs.
16736	Adjusting Mechanism - L	x	1
16277	Pignon	x	1
16278	Spring	x	1
16288	Seal	x	2
16142	Caliper Mechanism Central Fork	x	1
16146	Caliper Mechanism Pignon	x	1
14789	End Plate Bolt - M12 x 1.75 / 30 mm	x	6
14796	End Plate Bolt - M12 x 1.75 / 20 mm	x	2
14795	Tappet Bolt - M10 x 1.5 / 20 mm	x	2
14790	Cover Plate Bolt - M8 x 1.25 / 20 mm	x	2
14797	Plug Bolt	x	1
14798	Washer	x	1
18197	Gasket	x	1

18744 Caliper Mechanism Repair Kit - R MCK1337

DX225



TTT No	Description		Pcs.
16735	Adjusting Mechanism - R	x	1
16277	Pignon	x	1
16278	Spring	x	1
16288	Seal	x	2
16142	Caliper Mechanism Central Fork	x	1
16146	Caliper Mechanism Pignon	x	1
14789	End Plate Bolt - M12 x 1.75 / 30 mm	x	6
14796	End Plate Bolt - M12 x 1.75 / 20 mm	x	2
14795	Tappet Bolt - M10 x 1.5 / 20 mm	x	2
14790	Cover Plate Bolt - M8 x 1.25 / 20 mm	x	2
14797	Plug Bolt	x	1
14798	Washer	x	1
18197	Gasket	x	1

18202 Caliper Actuator End Plate Left

DX225



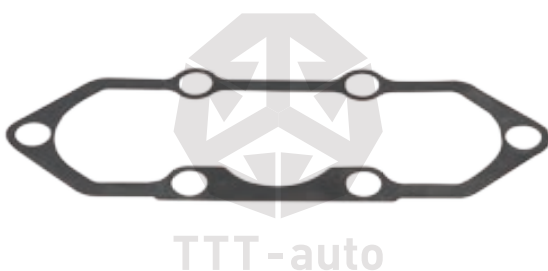
18203 Caliper Actuator End Plate Right

DX225



18197 Caliper End Plate Gasket

DX225



15707 Grease (White) - For Brass Bush



16969 Caliper Lever
MCK1160

DX225
80 mm



TTT - auto

16227 Caliper Lever
MCK1161

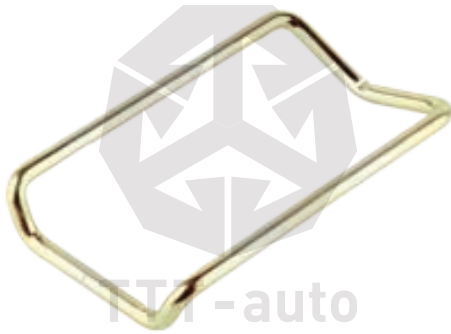
DX225
90 mm



TTT - auto

19255 Caliper Pad Retainer

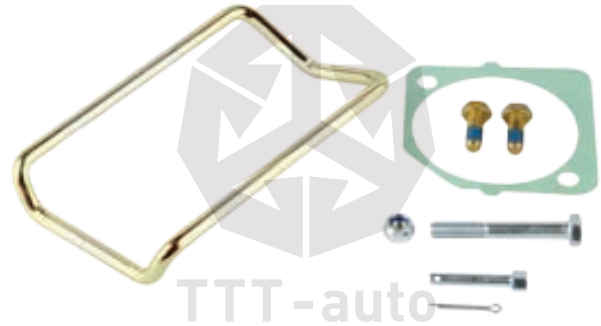
DX225



TTT - auto

19270 Caliper Pad Retainer Kit
MCK1155

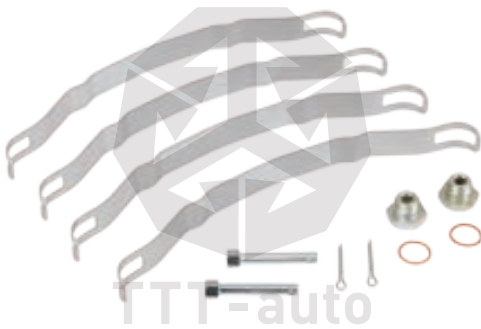
DX225



TTT - auto

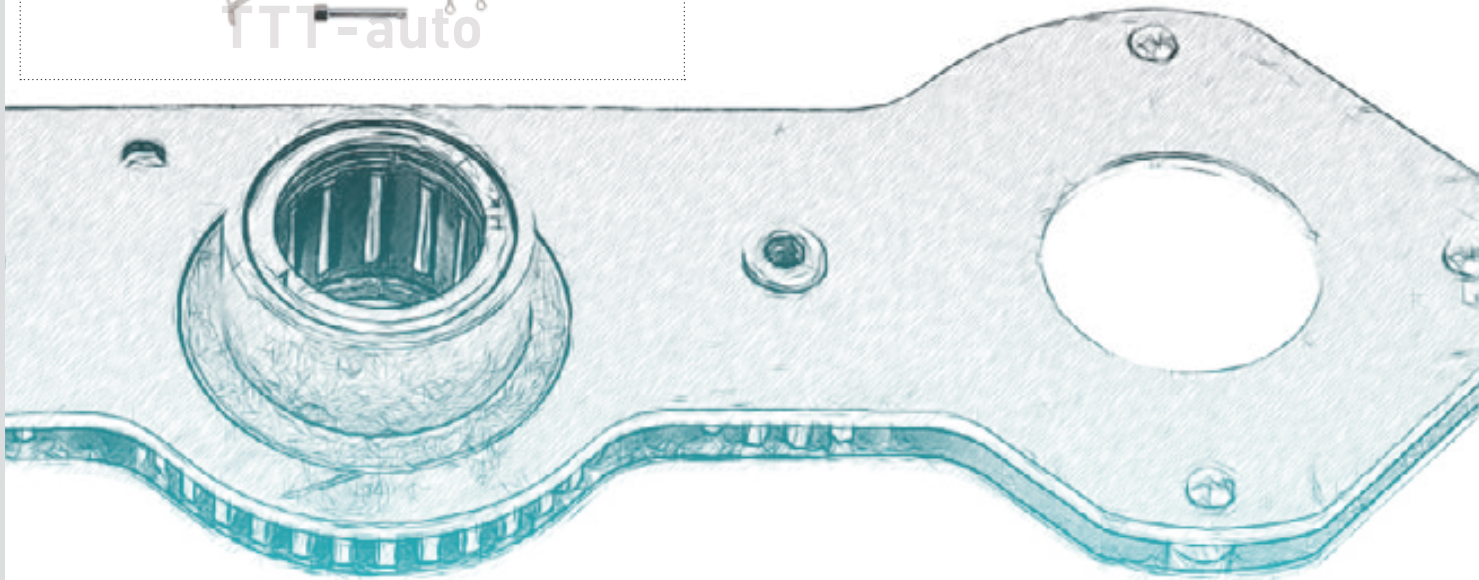
16983 Caliper Pad Spring Set
MBA100

DX225



TTT - auto

TTT No	Description	Pcs.
19255	Caliper Pad Retainer	x 1
14790	Cover Plate Bolt - M8 x 1.25 / 20 mm	x 2
15491	Cover Plate Gasket	x 1
19241	Lever Bolt - M8 x 1.25 / 60 mm	x 1
19242	Lever Nut - M8 x 1.25	x 1
17318	Brake Pad Pin	x 1
17319	Brake Pad Pin Locker	x 1



18761 Caliper Complete Repair Kit - L

DX225

IRISBUS CITYBUS
BREDAMENARINI BUS



TTT No	Description	Pcs.			
18180	Caliper Boot & Pin Repair Kit	x 1	16638	Bevel Washer	x 1
18561	Caliper Shaft Housing & Piston Set - L	x 1	16267	Cover Plate (With Needle Bearing & Seal)	x 1
18534	Caliper Mechanism Repair Kit- L (Half Set)	x 1	16098	Dust Cover	x 1
18662	Plate	x 1	16913	End Plate Cap - Ø 37 / 15 mm	x 1
17074	Calibration Bolt - L	x 2	16227	Caliper Lever	x 1
15104	Eccentric Shaft	x 1	19255	Caliper Pad Retainer	x 1
15106	Needle Bearing	x 1	15707	Grease (White) - 5 g	x 1
15107	Seal	x 1	15718	Grease (Green) - 8 g	x 1
16099	Eccentric Shaft Needle Bearing	x 1			

18762 Caliper Complete Repair Kit - R

DX225

IRISBUS CITYBUS
BREDAMENARINI BUS



TTT No	Description	Pcs.			
18180	Caliper Boot & Pin Repair Kit	x 1	16638	Bevel Washer	x 1
18562	Caliper Shaft Housing & Piston Set - R	x 1	16267	Cover Plate (With Needle Bearing & Seal)	x 1
18535	Caliper Mechanism Repair Kit- R (Half Set)	x 1	16098	Dust Cover	x 1
18662	Plate	x 1	16913	End Plate Cap - Ø 37 / 15 mm	x 1
16064	Calibration Bolt - R	x 2	16227	Caliper Lever	x 1
15104	Eccentric Shaft	x 1	19255	Caliper Pad Retainer	x 1
15106	Needle Bearing	x 1	15707	Grease (White) - 5 g	x 1
15107	Seal	x 1	15718	Grease (Green) - 8 g	x 1
16099	Eccentric Shaft Needle Bearing	x 1			

DUCO





16984 Caliper Pin Repair Kit

MCK1134
SJ4094

B DUCO
C DUCO
LE DUCO
D DUCO AXIAL

VOLVO FH12 / FH16
VOLVO FM9 / FM10 / FM12 / FMX
VOLVO FL6 / FM7
VOLVO BUS B12B



TTT No	Description	Pcs.
14616	Caliper Pin - Ø 35 / 102 mm	x 1
14619	Caliper Pin - Ø 35 / 60 mm	x 1
14617	Pin Bolt - M20 x 2 / 125 mm	x 1
14620	Pin Bolt - M20 x 2 / 80 mm	x 1
14822	Fiber Bush - Ø 35 x 39 / 38 mm	x 2
14945	Oval Bush - Ø 35-36 x 39 / 30 mm	x 1
14731	Ring - Ø 37 x 40 / 11 mm	x 2
14711	Pin Cap - Ø 40 / 18.5 mm	x 2
14640	Pin Boot	x 2
15707	Grease (White) - 5 g	x 2

16985 Caliper Pin Repair Kit

MCK1116

B DUCO
C DUCO
LE DUCO
D DUCO AXIAL

VOLVO FH12 / FH16
VOLVO FM9 / FM10 / FM12 / FMX
VOLVO BUS B7L



TTT No	Description	Pcs.
14616	Caliper Pin - Ø 35 / 102 mm	x 1
14619	Caliper Pin - Ø 35 / 60 mm	x 1
14617	Pin Bolt - M20 x 2 / 125 mm	x 1
14620	Pin Bolt - M20 x 2 / 80 mm	x 1
15773	Fiber Bush - Ø 35 x 39 / 77 mm	x 1
14945	Oval Bush - Ø 35-36 x 39 / 30 mm	x 1
14731	Ring - Ø 37 x 40 / 11 mm	x 2
14711	Pin Cap - Ø 40 / 18.5 mm	x 2
14640	Pin Boot	x 2
15707	Grease (White) - 5 g	x 2

14835 Caliper Pin Repair Kit

BRASS BUSH TYPE
FOR MCK1116

B DUCO
C DUCO
LE DUCO
D DUCO AXIAL



TTT No	Description	Pcs.
14616	Caliper Pin - Ø 35 / 102 mm	x 1
14619	Caliper Pin - Ø 35 / 60 mm	x 1
14617	Pin Bolt - M20 x 2 / 125 mm	x 1
14620	Pin Bolt - M20 x 2 / 80 mm	x 1
14618	Round Bush - Ø 35 x 40 / 77 mm	x 1
14945	Oval Bush - Ø 35-36 x 39 / 30 mm	x 1
14731	Ring - Ø 37 x 40 / 11 mm	x 2
14711	Pin Cap - Ø 40 / 18.5 mm	x 2
14640	Pin Boot	x 2
15707	Grease (White) - 5 g	x 2

14836 Caliper Pin Repair Kit

MCK1299

B DUCO
C DUCO
LE DUCO
D DUCO AXIAL

VOLVO FH12 / FH16
VOLVO FM9 / FM10 / FM12
VOLVO BUS B7L / B12B / B12M



TTT No	Description	Pcs.
14616	Caliper Pin - Ø 35 / 102 mm	x 1
14617	Pin Bolt - M20 x 2 / 125 mm	x 2
14620	Pin Bolt - M20 x 2 / 80 mm	x 1
14711	Pin Cap - Ø 40 / 18.5 mm	x 2
14640	Pin Boot	x 2

16998 Caliper Pin Repair Kit

MCK1135
SJ4107

D DUCO
RADIAL

VOLVO FH12 / FH16
VOLVO FM10 / FM12
VOLVO FL6 / FM7



TTT No	Description	Pcs.
14616	Caliper Pin - Ø 35 / 102 mm	x 2
14617	Pin Bolt - M20 x 2 / 125 mm	x 2
14822	Fiber Bush - Ø 35 x 39 / 38 mm	x 2
14945	Oval Bush - Ø 35-36 x 39 / 30 mm	x 2
14731	Ring - Ø 37 x 40 / 11 mm	x 2
14711	Pin Cap - Ø 40 / 18.5 mm	x 2
14640	Pin Boot	x 2
15707	Grease (White) - 5 g	x 2

16999 Caliper Pin Repair Kit

MCK1118

D DUCO
RADIAL

VOLVO FH12 / FH16
VOLVO FM9 / FM10 / FM12 / FMX
VOLVO FL6 / FM7
VOLVO BUS B12M



TTT No	Description	Pcs.
14616	Caliper Pin - Ø 35 / 102 mm	x 2
14617	Pin Bolt - M20 x 2 / 125 mm	x 2
15773	Fiber Bush - Ø 35 x 39 / 77 mm	x 1
14945	Oval Bush - Ø 35-36 x 39 / 30 mm	x 2
14731	Ring - Ø 37 x 40 / 11 mm	x 2
14711	Pin Cap - Ø 40 / 18.5 mm	x 2
14640	Pin Boot	x 2
15707	Grease (White) - 5 g	x 2

14760 Caliper Pin Repair Kit

BRASS BUSH TYPE
FOR MCK1118

D DUCO
RADIAL



TTT No	Description	Pcs.
14616	Caliper Pin - Ø 35 / 102 mm	x 2
14617	Pin Bolt - M20 x 2 / 125 mm	x 2
14618	Round Bush - Ø 35 x 40 / 77 mm	x 1
14945	Oval Bush - Ø 35-36 x 39 / 30 mm	x 2
14731	Ring - Ø 37 x 40 / 11 mm	x 2
14711	Pin Cap - Ø 40 / 18.5 mm	x 2
14640	Pin Boot	x 2
15707	Grease (White) - 5 g	x 2

13480 Caliper Boot & Pin Repair Kit

D DUCO
RADIAL



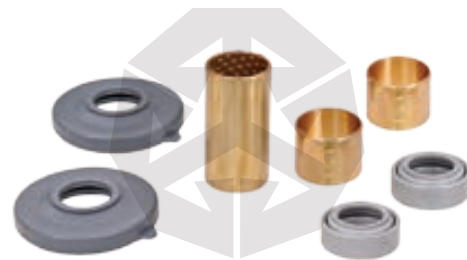
TTT No	Description	Pcs.
14616	Caliper Pin - Ø 35 / 102 mm	x 2
14617	Pin Bolt - M20 x 2 / 125 mm	x 2
14618	Round Bush - Ø 35 x 40 / 77 mm	x 1
14945	Oval Bush - Ø 35-36 x 39 / 30 mm	x 2
14731	Ring - Ø 37 x 40 / 11 mm	x 2
14711	Pin Cap - Ø 40 / 18.5 mm	x 2
14640	Pin Boot	x 2
14710	Tappet Boot	x 2
15707	Grease (White) - 5 g	x 2

14643 Caliper Boot & Pin Repair Kit **D DUCO RADIAL**



TTT No	Description	Pcs.
14616	Caliper Pin - Ø 35 / 102 mm	x 2
14618	Round Bush - Ø 35 x 40 / 77 mm	x 1
14945	Oval Bush - Ø 35-36 x 39 / 30 mm	x 2
14710	Tappet Boot	x 2
14640	Pin Boot	x 2
15707	Grease (White) - 5 g	x 2

14642 Caliper Boot & Bush Repair Kit **D DUCO RADIAL**



TTT No	Description	Pcs.
14618	Round Bush - Ø 35 x 40 / 77 mm	x 1
14945	Oval Bush - Ø 35-36 x 39 / 30 mm	x 2
14710	Tappet Boot	x 2
14640	Pin Boot	x 2

14741 Caliper Pin Repair Kit **B DUCO C DUCO LE DUCO D DUCO AXIAL D DUCO RADIAL**



TTT No	Description	Pcs.
14616	Caliper Pin - Ø 35 / 102 mm	x 1
14711	Pin Cap - Ø 40 / 18.5 mm	x 2
14640	Pin Boot	x 2

15688 Caliper Pin Boot Ring Set **B DUCO C DUCO LE DUCO D DUCO AXIAL D DUCO RADIAL**



TTT No	Description	Pcs.
15687	Pin Boot Ring - Ø 35.5 x 37.5 / 6 mm	x 10

15490 Caliper Pin Boot Set **B DUCO C DUCO LE DUCO D DUCO AXIAL D DUCO RADIAL**



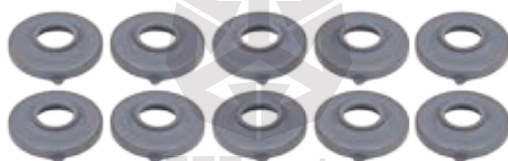
TTT No	Description	Pcs.
14640	Pin Boot	x 2

14597 Caliper Tappet Boot Set **B DUCO C DUCO LE DUCO D DUCO AXIAL D DUCO RADIAL**



TTT No	Description	Pcs.
14710	Tappet Boot	x 2

16863 Caliper Tappet Boot Set **B DUCO C DUCO LE DUCO D DUCO AXIAL D DUCO RADIAL**



TTT No	Description	Pcs.
14710	Tappet Boot	x 10

14890 Caliper Tappet & Boot Set **B DUCO C DUCO LE DUCO D DUCO AXIAL D DUCO RADIAL**



TTT No	Description	Pcs.
14710	Tappet Boot	x 2
14891	Tappet	x 2
14892	Clips	x 2

14829 Caliper Adjusting Mechanism Set - L MCK1236

B DUCO
C DUCO
LE DUCO
D DUCO AXIAL
D DUCO RADIAL



TTT No	Description	Pcs.
14890	Tappet & Boot Set	x 1
14827	Caliper Adjusting Mechanism - L	x 2
15371	Flanged Bush - Ø 45 x 49 / 30 mm	x 2
15372	Seal	x 2
15718	Grease (Green) - 8 g	x 1

14828 Caliper Adjusting Mechanism Set - R MCK1237 MCK1239

B DUCO
C DUCO
LE DUCO
D DUCO AXIAL
D DUCO RADIAL

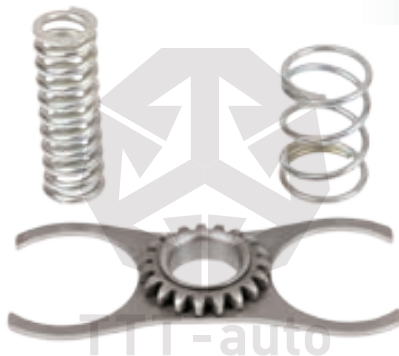


TTT No	Description	Pcs.
14890	Tappet & Boot Set	x 1
14826	Caliper Adjusting Mechanism - R	x 2
15371	Flanged Bush - Ø 45 x 49 / 30 mm	x 2
15372	Seal	x 2
15718	Grease (Green) - 8 g	x 1

17020 Intermediate Gear & Spring Set MCK1129

C DUCO
LE DUCO

VOLVO FH12 / FH16
VOLVO FM9 / FM12 / FMX
VOLVO FL6

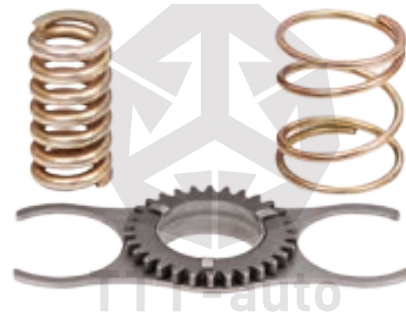


TTT No	Description	Pcs.
17021	Intermediate Gear	x 1
17022	Spring (Big)	x 1
17023	Spring (Small)	x 1

14734 Intermediate Gear & Spring Set MCK1067

D DUCO
AXIAL / RADIAL

VOLVO FH12 / FH16
VOLVO FM9 / FM10 / FM12 / FMX
VOLVO BUS B7L / B12B / B12M

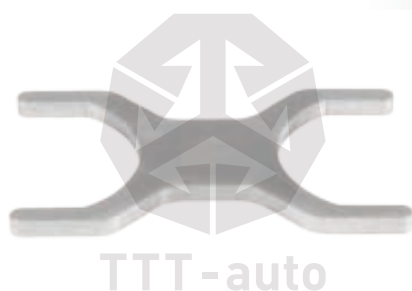


TTT No	Description	Pcs.
14855	Intermediate Gear	x 1
14856	Spring (Big)	x 1
14857	Spring (Small)	x 1

17017 Tappet Anti Rotation Plate 68322485

C DUCO
LE DUCO

VOLVO FH12 / FH16
VOLVO FM9 / FM12 / FMX
VOLVO FL6



14735 Tappet Anti Rotation Plate 68322900

D DUCO
AXIAL / RADIAL

VOLVO FH12 / FH16
VOLVO FM9 / FM10 / FM12 / FMX
VOLVO BUS B7L / B12B / B12M



16622 Adjusting Mechanism Shaft **B DUCO**
MCK1050

VOLVO FL6 L MEDIUM



TTT No	Description	Pcs.
17287	Adjusting Mechanism Shaft	x 1
17288	Mechanism Bearing - External Tooth	x 1
17289	Mechanism Bearing - Flat	x 1
16627	Mechanism Thrust Bearing	x 1
16628	Mechanism Thrust Washer	x 2

14870 Adjusting Mechanism Shaft - R / L **C DUCO**
MCK1113 **LE DUCO**
SJ4110 **D DUCO AXIAL**
D DUCO RADIAL

VOLVO FH12 / FH16
VOLVO FM9 / FM10 / FM12 / FMX
VOLVO FL6 / FM7
VOLVO BUS B12M



TTT No	Description	Pcs.
18350	Adjusting Mechanism	x 1
15442	Actuator Seal	x 1
15443	Shaft Seal	x 1

14872 Adjusting Mechanism Shaft - L **C DUCO**
MCK1111 **LE DUCO**
SJ4102 **D DUCO AXIAL**
D DUCO RADIAL

VOLVO FH12 / FH16
VOLVO FM9 / FM10 / FM12 / FMX
VOLVO BUS B7L / B12B / B12M



TTT No	Description	Pcs.
18352	Adjusting Mechanism	x 1
15443	Shaft Seal	x 1

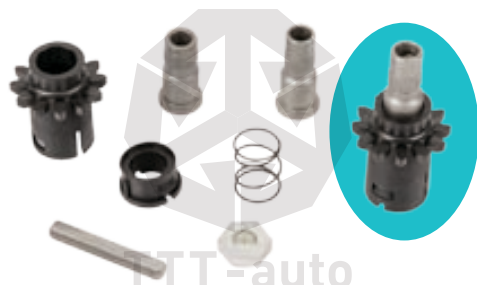
14871 Adjusting Mechanism Shaft - R **C DUCO**
MCK1112 **LE DUCO**
SJ4103 **D DUCO AXIAL**
D DUCO RADIAL

VOLVO FH12 / FH16
VOLVO FM9 / FM10 / FM12 / FMX
VOLVO BUS B7L / B12B / B12M



TTT No	Description	Pcs.
18351	Adjusting Mechanism	x 1
15443	Shaft Seal	x 1

16745 Caliper Small Gear Mechanism - L **B DUCO**
68322562 **C DUCO**
LE DUCO
D DUCO AXIAL
D DUCO RADIAL



16746 Caliper Small Gear Mechanism - R **B DUCO**
68322563 **C DUCO**
LE DUCO
D DUCO AXIAL
D DUCO RADIAL



14850 Caliper Bearing Set SJ4112

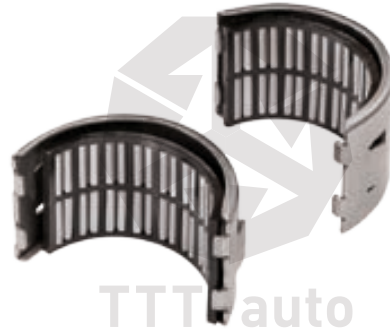
B DUCO
C DUCO
LE DUCO
D DUCO AXIAL



TTT No	Description	Pcs.
14844	Needle Bearing Set	x 1
14880	Roller Bearing	x 2
14881	Lever Bearing	x 2

14844 Needle Bearing Set

B DUCO
C DUCO
LE DUCO
D DUCO AXIAL
D DUCO RADIAL



TTT No	Description	Pcs.
13488	Needle Bearing	x 2

14881 Caliper Lever Bearing

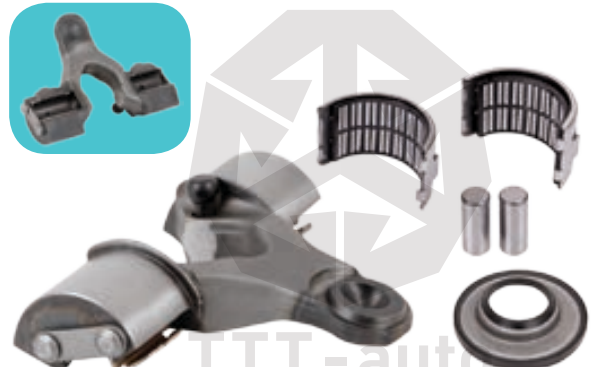
B DUCO
C DUCO
LE DUCO
D DUCO AXIAL



TTT-auto

16459 Caliper Lever Set MCK1048

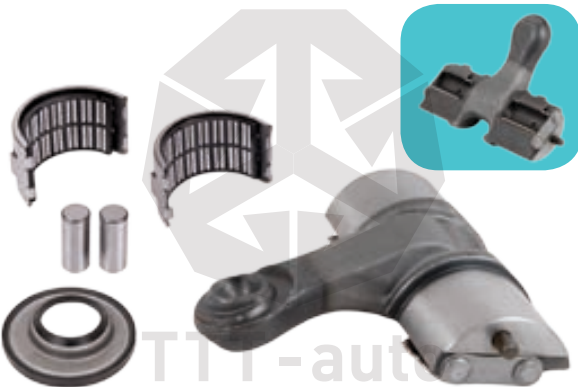
B DUCO



TTT No	Description	Pcs.
16469	Lever	x 1
14880	Roller Bearing	x 2
13488	Needle Bearing	x 2
15442	Actuator Seal	x 1

16442 Caliper Lever Set - L MCK1127

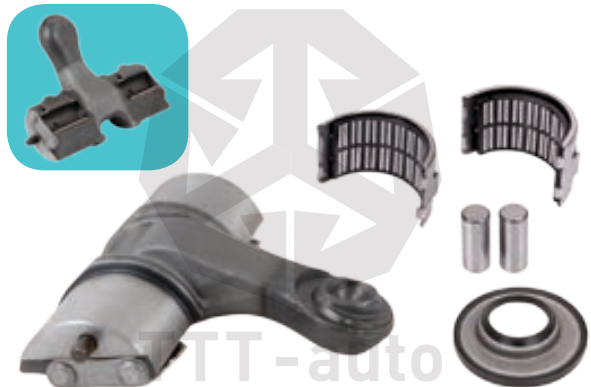
C DUCO
LE DUCO



TTT No	Description	Pcs.
16452	Lever - L	x 1
14880	Roller Bearing	x 2
13488	Needle Bearing	x 2
15442	Actuator Seal	x 1

16441 Caliper Lever Set - R MCK1128

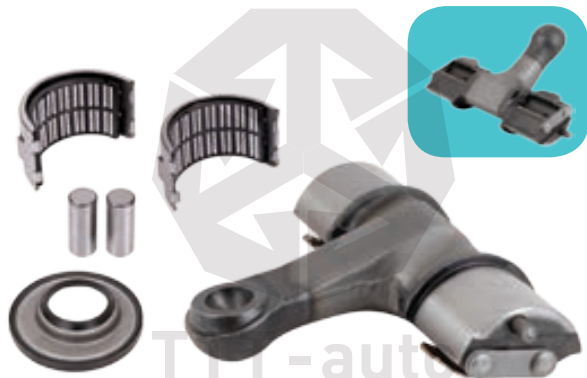
C DUCO
LE DUCO



TTT No	Description	Pcs.
16451	Lever - R	x 1
14880	Roller Bearing	x 2
13488	Needle Bearing	x 2
15442	Actuator Seal	x 1

16042 Caliper Lever Set - L MCK1398, SJ4096

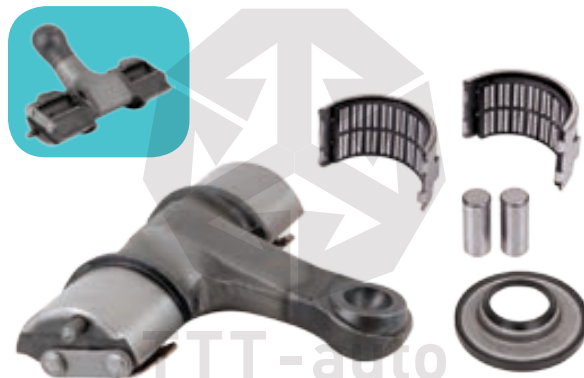
D DUCO
AXIAL



TTT No	Description	Pcs.
16044	Lever - L	x 1
14880	Roller Bearing	x 2
13488	Needle Bearing	x 2
15442	Actuator Seal	x 1

16041 Caliper Lever Set - R MCK1399, SJ4097

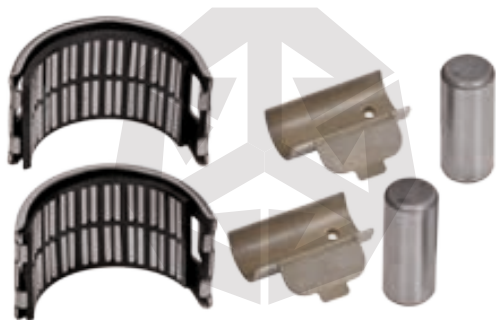
D DUCO
AXIAL



TTT No	Description	Pcs.
16043	Lever - R	x 1
14880	Roller Bearing	x 2
13488	Needle Bearing	x 2
15442	Actuator Seal	x 1

16620 Caliper Bearing Set SJ4098

D DUCO
RADIAL



TTT No	Description	Pcs.
14844	Needle Bearing Set	x 1
14880	Roller Bearing	x 2
16621	Lever Bearing	x 2

16621 Caliper Lever Bearing

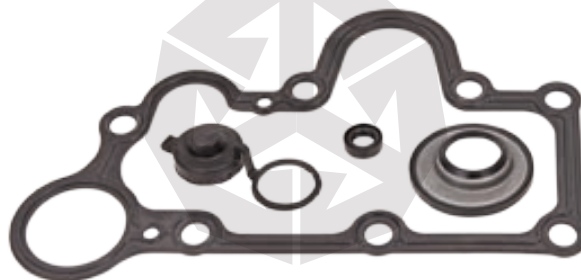
D DUCO
RADIAL



14839 Caliper Gasket Set MCK1041

C DUCO
LE DUCO

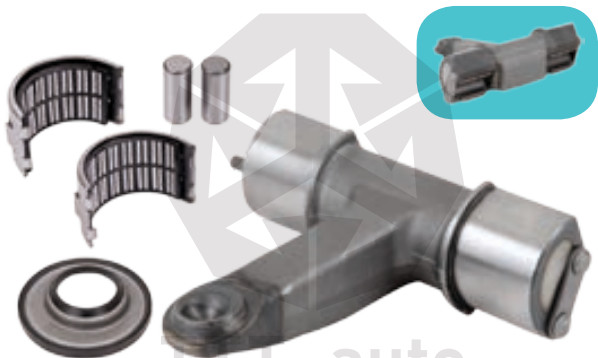
VOLVO FH12
VOLVO FM9 / FM12
VOLVO FL6



TTT No	Description	Pcs.
14951	Gasket	x 1
14975	Rubber Cap	x 1
15442	Actuator Seal	x 1
15443	Shaft Seal	x 1

16078 Caliper Lever Set SJ4108

D DUCO
RADIAL

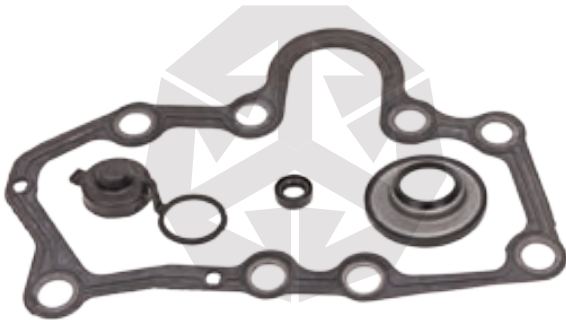


TTT No	Description	Pcs.
16079	Lever	x 1
14880	Roller Bearing	x 2
13488	Needle Bearing	x 2
15442	Actuator Seal	x 1

14847 Caliper Gasket Set SJ4105

D DUCO
AXIAL

VOLVO FH12 / FH16
VOLVO FM9 / FM10 / FM12 / FMX
VOLVO BUS B7L / B12B / B12M



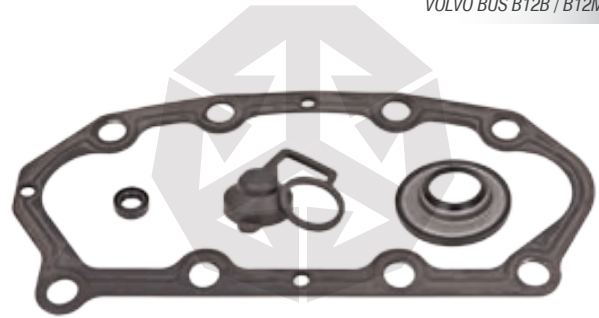
TTT - auto

TTT No	Description	Pcs.
14966	Gasket	x 1
14975	Rubber Cap	x 1
15442	Actuator Seal	x 1
15443	Shaft Seal	x 1

14846 Caliper Gasket Set SJ4109

D DUCO
RADIAL

VOLVO FH12 / FH16
VOLVO FM9 / FM10 / FM12
VOLVO FL6 / FM7
VOLVO BUS B12B / B12M

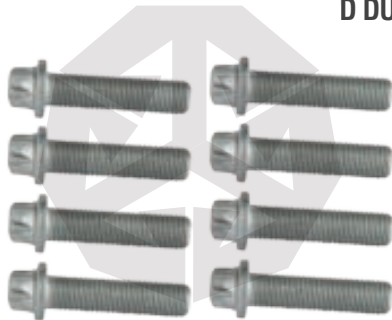


TTT - auto

TTT No	Description	Pcs.
14927	Gasket	x 1
14929	Rubber Cap	x 1
15442	Actuator Seal	x 1
15443	Shaft Seal	x 1

19076 Caliper Cover Bolt Kit

B DUCO
C DUCO
LE DUCO
D DUCO AXIAL
D DUCO RADIAL



TTT - auto

TTT No	Description	Pcs.
17984	Cover Bolt - M14 x 1.5 / 55 mm	x 8

16871 Rubber Cap Set 68322655PK10

B DUCO
C DUCO
LE DUCO
D DUCO AXIAL



TTT - auto

TTT No	Description	Pcs.
14975	Rubber Cap	x 10

19019 Rubber Cap Repair Kit

B DUCO
C DUCO
LE DUCO
D DUCO AXIAL



TTT - auto

TTT No	Description	Pcs.
14975	Rubber Cap	x 1
17398	Rubber Cap Ring	x 1
15443	Shaft Seal	x 1

14929 Rubber Cap

D DUCO
RADIAL



TTT - auto

16875 Actuator Seal Set
68322297PK10

B DUCO
C DUCO
LE DUCO
D DUCO AXIAL
D DUCO RADIAL



TTT - auto

TTT No	Description	Pcs.
15442	Actuator Seal	x 10

19202 Caliper Sensor Cover
Repair Kit
MST1504
MCK1352

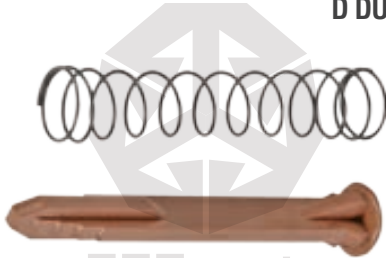
B DUCO
C DUCO
LE DUCO
D DUCO AXIAL
D DUCO RADIAL



TTT - auto

16618 Caliper Visual Indicator
SJ4111

B DUCO
C DUCO
LE DUCO
D DUCO AXIAL
D DUCO RADIAL



TTT - auto

17649 Caliper Pad Retainer Kit
MCK1263

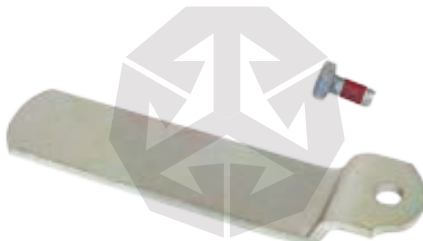
B DUCO



TTT - auto

17368 Caliper Pad Retainer Kit
MCK1264

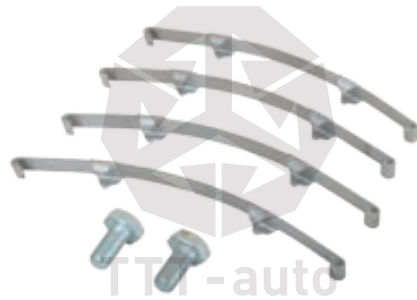
C DUCO
LE DUCO
D DUCO AXIAL
D DUCO RADIAL



TTT - auto

17813 Caliper Pad Spring Set
MBA103

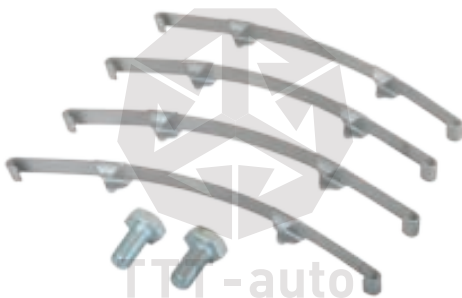
C DUCO



TTT - auto

17737 Caliper Pad Spring Set
MBA104

D DUCO



TTT - auto

15707 Grease (White) - For Brass Bush



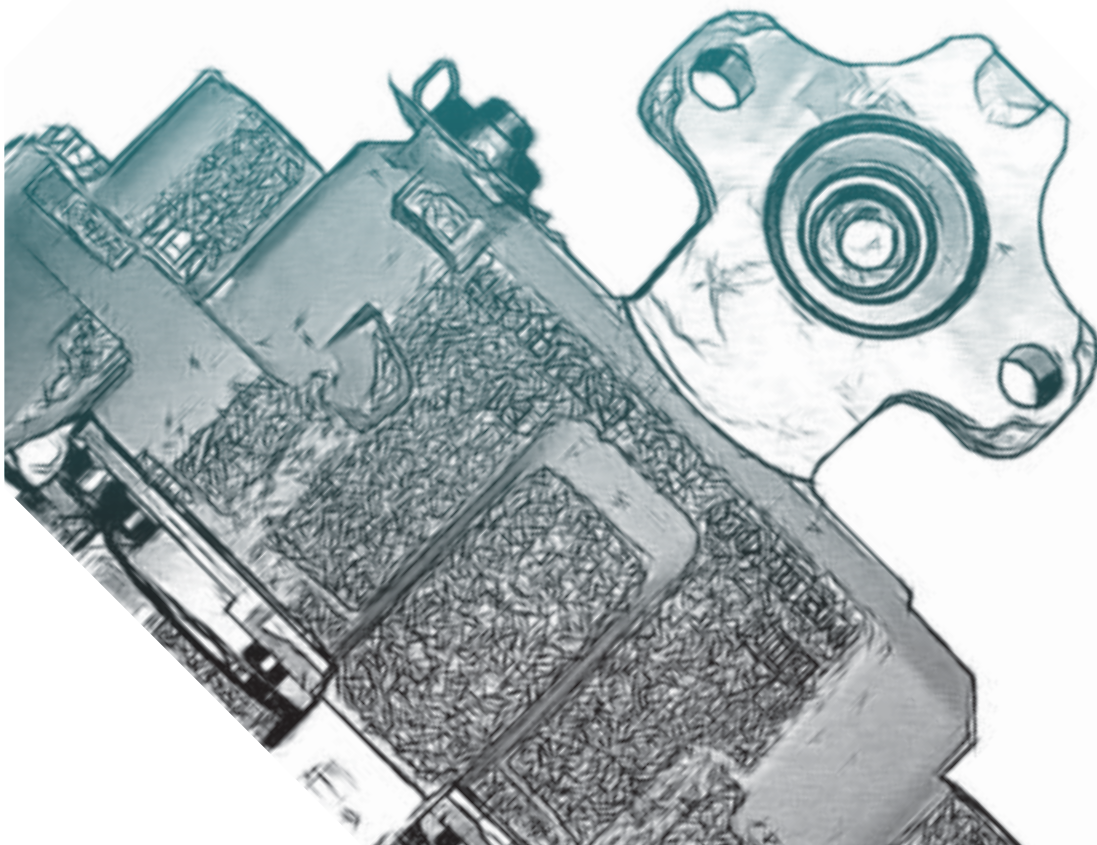
16677 Caliper Complete Repair Kit

B DUCO

VOLVO FL6 L MEDIUM



TTT No	Description	Pcs.			
14835	Caliper Pin Repair Kit	x 1	14929	Rubber Cap	x 1
16622	Adjusting Mechanism	x 1	16618	Caliper Visual Indicator	x 1
14828	Adjusting Mechanism Set - R	x 1	15707	Grease (White) - 5 g	x 1
16459	Caliper Lever Set	x 1	15718	Grease (Green) - 8 g	x 1



16918 Caliper Complete Repair Kit - L

**C DUCO
LE DUCO**

VOLVO FH12
VOLVO FM9 / FM12
VOLVO FL6



TTT No	Description	Pcs.			
14835	Caliper Pin Repair Kit	x 1	16442	Caliper Lever Set - L	x 1
14829	Adjusting Mechanism Set - L	x 1	16618	Caliper Visual Indicator	x 1
14872	Adjusting Mechanism Shaft - L	x 1	14975	Rubber Cap	x 1
17017	Tappet Anti Rotation Plate	x 1	14951	Gasket	x 1
17020	Intermediate Gear & Spring Set	x 1	15707	Grease (White) - 5 g	x 1
16745	Caliper Small Gear Mechanism - L	x 1	15718	Grease (Green) - 8 g	x 1

19072 Caliper Complete Repair Kit - L - (Without Lever)

**C DUCO
LE DUCO**

VOLVO FH12
VOLVO FM9 / FM12
VOLVO FL6



TTT No	Description	Pcs.			
16985	Caliper Pin Repair Kit	x 1	14850	Caliper Bearing Set	x 1
14829	Adjusting Mechanism Set - L	x 1	16618	Caliper Visual Indicator	x 1
18352	Adjusting Mechanism	x 1	14839	Caliper Gasket Set	x 1
17017	Tappet Anti Rotation Plate	x 1	15707	Grease (White) - 5 g	x 1
17020	Intermediate Gear & Spring Set	x 1	15718	Grease (Green) - 8 g	x 1



16919 Caliper Complete Repair Kit - R

**C DUCO
LE DUCO**

VOLVO FH12
VOLVO FM9 / FM12
VOLVO FL6



TTT No	Description	Pcs.			
14835	Caliper Pin Repair Kit	x 1	16441	Caliper Lever Set - R	x 1
14828	Adjusting Mechanism Set - R	x 1	16618	Caliper Visual Indicator	x 1
14871	Adjusting Mechanism Shaft - R	x 1	14975	Rubber Cap	x 1
17017	Tappet Anti Rotation Plate	x 1	14951	Gasket	x 1
17020	Intermediate Gear & Spring Set	x 1	15707	Grease (White) - 5 g	x 1
16746	Caliper Small Gear Mechanism - R	x 1	15718	Grease (Green) - 8 g	x 1

19073 Caliper Complete Repair Kit - R - (Without Lever)

**C DUCO
LE DUCO**

VOLVO FH12
VOLVO FM9 / FM12
VOLVO FL6



TTT No	Description	Pcs.			
16985	Caliper Pin Repair Kit	x 1	14850	Caliper Bearing Set	x 1
14828	Adjusting Mechanism Set - R	x 1	16618	Caliper Visual Indicator	x 1
18351	Adjusting Mechanism	x 1	14839	Caliper Gasket Set	x 1
17017	Tappet Anti Rotation Plate	x 1	15707	Grease (White) - 5 g	x 1
17020	Intermediate Gear & Spring Set	x 1	15718	Grease (Green) - 8 g	x 1

16549 Caliper Complete Repair Kit - L

**D DUCO
AXIAL**

VOLVO FH12 / FH16
VOLVO FM9 / FM10 / FM12 / FMX
VOLVO BUS B7L / B12B / B12M



TTT No	Description	Pcs.		
14835	Caliper Pin Repair Kit	x 1	16042	Caliper Lever Set - L x 1
14829	Adjusting Mechanism Set - L	x 1	16618	Caliper Visual Indicator x 1
14872	Adjusting Mechanism Shaft - L	x 1	14975	Rubber Cap x 1
14735	Tappet Anti Rotation Plate	x 1	14966	Gasket x 1
14734	Intermediate Gear & Spring Set	x 1	15707	Grease (White) - 5 g x 1
16745	Small Gear Mechanism - L	x 1	15718	Grease (Green) - 8 g x 1

19068 Caliper Complete Repair Kit - L - (Without Lever)

**D DUCO
AXIAL**

VOLVO FH12 / FH16
VOLVO FM9 / FM10 / FM12 / FMX
VOLVO BUS B7L / B12B / B12M



TTT No	Description	Pcs.		
16985	Caliper Pin Repair Kit	x 1	14850	Caliper Bearing Set x 1
14829	Adjusting Mechanism Set - L	x 1	16618	Caliper Visual Indicator x 1
18352	Adjusting Mechanism	x 1	14847	Caliper Gasket Set x 1
14735	Tappet Anti Rotation Plate	x 1	15707	Grease (White) - 5 g x 1
14734	Intermediate Gear & Spring Set	x 1	15718	Grease (Green) - 8 g x 1



16539 Caliper Complete Repair Kit - R

**D DUCO
AXIAL**

VOLVO FH12 / FH16
VOLVO FM9 / FM10 / FM12 / FMX
VOLVO BUS B7L / B12B / B12M



TTT No	Description	Pcs.		
14835	Caliper Pin Repair Kit	x 1	16041	Caliper Lever Set - R x 1
14828	Adjusting Mechanism Set - R	x 1	16618	Caliper Visual Indicator x 1
14871	Adjusting Mechanism Shaft - R	x 1	14975	Rubber Cap x 1
14735	Tappet Anti Rotation Plate	x 1	14966	Gasket x 1
14734	Intermediate Gear & Spring Set	x 1	15707	Grease (White) - 5 g x 1
16746	Small Gear Mechanism - R	x 1	15718	Grease (Green) - 8 g x 1

19069 Caliper Complete Repair Kit - R - (Without Lever)

**D DUCO
AXIAL**

VOLVO FH12 / FH16
VOLVO FM9 / FM10 / FM12 / FMX
VOLVO BUS B7L / B12B / B12M

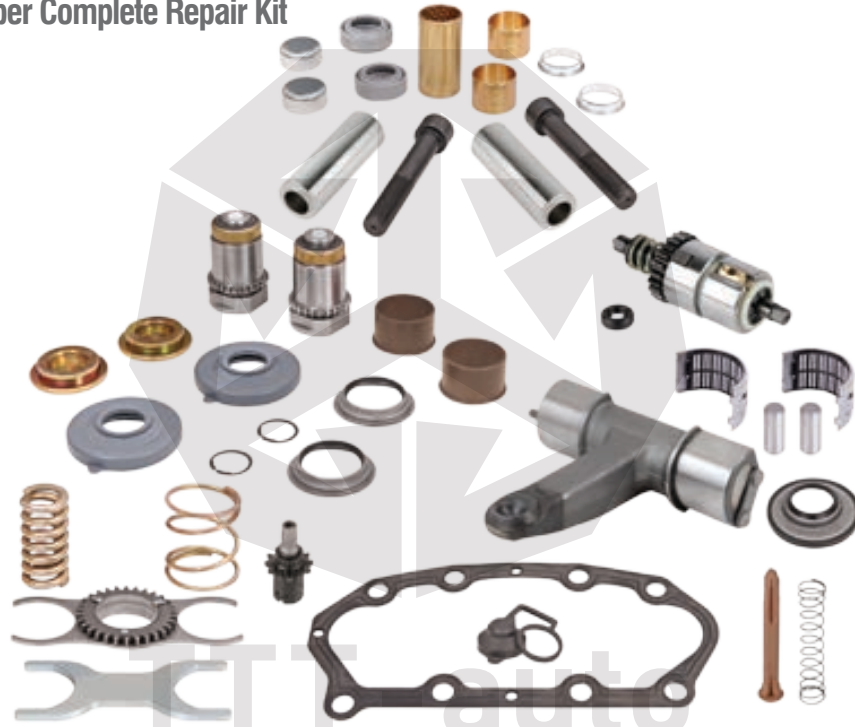


TTT No	Description	Pcs.		
16985	Caliper Pin Repair Kit	x 1	14850	Caliper Bearing Set x 1
14828	Adjusting Mechanism Set - R	x 1	16618	Caliper Visual Indicator x 1
18351	Adjusting Mechanism	x 1	14847	Caliper Gasket Set x 1
14735	Tappet Anti Rotation Plate	x 1	15707	Grease (White) - 5 g x 1
14734	Intermediate Gear & Spring Set	x 1	15718	Grease (Green) - 8 g x 1

16559 Caliper Complete Repair Kit

**D DUCO
RADIAL**

VOLVO FH12 / FH16
VOLVO FM9 / FM10 / FM12
VOLVO FL6 / FM7
VOLVO BUS B12B / B12M



TTT No	Description	Pcs.		
14760	Caliper Pin Repair Kit	x 1	16078	Caliper Lever Set x 1
14828	Adjusting Mechanism Set - R	x 1	16618	Caliper Visual Indicator x 1
14870	Adjusting Mechanism Shaft	x 1	14929	Rubber Cap x 1
14735	Tappet Anti Rotation Plate	x 1	14927	Gasket x 1
14734	Intermediate Gear & Spring Set	x 1	15707	Grease (White) - 5 g x 1
16745	Small Gear Mechanism - L	x 1	15718	Grease (Green) - 8 g x 1

19090 Caliper Complete Repair Kit - (Without Lever)

**D DUCO
RADIAL**

VOLVO FH12 / FH16
VOLVO FM9 / FM10 / FM12
VOLVO FL6 / FM7
VOLVO BUS B12B / B12M



TTT No	Description	Pcs.		
16999	Caliper Pin Repair Kit	x 1	16620	Caliper Bearing Set x 1
14828	Adjusting Mechanism Set - R	x 1	16618	Caliper Visual Indicator x 1
18350	Adjusting Mechanism	x 1	14846	Caliper Gasket Set x 1
14735	Tappet Anti Rotation Plate	x 1	15707	Grease (White) - 5 g x 1
14734	Intermediate Gear & Spring Set	x 1	15718	Grease (Green) - 8 g x 1





LISA

18700 Caliper Pin Repair Kit SJ4052

C LISA

RENAULT MIDLINER/MIDLUM
NISSAN M140 ECOT



TTT No	Description	Pcs.
18708	Caliper Pin - Ø 30 / 115 mm	x 1
18709	Caliper Pin - Ø 30 / 75 mm	x 1
18716	Pin Bolt - M18 x 1.5 / 135 mm	x 1
18717	Pin Bolt - M18 x 1.5 / 95 mm	x 1
18721	Flanged Bush - Ø 30 x 34 / 26 mm	x 2
17374	Oval Bush - Ø 30-31 x 34 / 26 mm	x 1
18722	Ring - Ø 32 x 42 / 12 mm	x 2
18723	Pin Cap - Ø 42 / 43 mm	x 1
18726	Pin Cap - Ø 37 / 11 mm	x 1
16687	Pin Boot	x 2
15707	Grease (White) - 5 g	x 1

14770 Caliper Pin Repair Kit MCK1104 SJ4076

D LISA

RENAULT PREMIUM /TR/PR
RENAULT AE / AE MAGNUM
RENAULT MAGNUM E-TECH
VOLVO BUS B7L / B7R
VOLVO BUS B10B / B10L / B12B
RENAULT BUS AGORA



TTT No	Description	Pcs.
14771	Caliper Pin - Ø 35 / 132 mm	x 1
14772	Caliper Pin - Ø 35 / 79 mm	x 1
14609	Pin Bolt - M20 x 1.5 / 150 mm	x 1
16145	Pin Bolt - M20 x 1.5 / 100 mm	x 1
14726	Oval Bush - Ø 35-36 x 39 / 47 mm	x 1
14602	Round Bush - Ø 35 x 39 / 30 mm	x 2
14732	Round Bush - Ø 35 x 41 / 30 mm	x 2
14621	Ring - Ø 37 x 47 / 12 mm	x 2
14736	Pin Cap - Ø 45 / 14.5 mm	x 2
14640	Pin Boot	x 2
15707	Grease (White) - 5 g	x 1

17052 Caliper Pin Boot Repair Kit SJ4077

C LISA
D LISA



TTT No	Description	Pcs.
16687	Pin Boot	x 2
14640	Pin Boot	x 2

15533 Caliper Pin Bolt & Cap Repair Kit SJ4021

D LISA



TTT No	Description	Pcs.
14609	Pin Bolt - M20 x 1.5 / 150 mm	x 1
16145	Pin Bolt - M20 x 1.5 / 100 mm	x 1
14736	Pin Cap - Ø 45 / 14.5 mm	x 2

17051 Caliper Pin Boot Repair Kit SJ4053

C LISA



TTT No	Description	Pcs.
16687	Pin Boot	x 2

15707 Grease (White) - For Brass Bush



16427 Caliper Boot & Seal Set
SJ4078
SJ4032

C LISA
D LISA



TTT No	Description	Pcs.
15024	Gasket	x 1
16091	Adjusting Boot	x 1
15556	Adjusting O-ring	x 1
15567	Bevel Seal - Ø 40 x 57 / 6 mm	x 1
15568	Seal - Ø 39 x 52 / 5.5 mm	x 1
15569	Shield - Ø 42 x 56 / 6 mm	x 1
15032	Tappet Boot	x 1
14640	Pin Boot	x 2
16687	Pin Boot	x 2

15025 Caliper Boot & Seal Set
SJ4061

C LISA



TTT No	Description	Pcs.
15024	Gasket	x 1
16091	Adjusting Boot	x 1
15556	Adjusting O-ring	x 1
15567	Bevel Seal - Ø 40 x 57 / 6 mm	x 1
15568	Seal - Ø 39 x 52 / 5.5 mm	x 1
15569	Shield - Ø 42 x 56 / 6 mm	x 1
15032	Tappet Boot	x 1
16687	Pin Boot	x 2

15455 Caliper Adjusting Gear - L
SJ4073

C LISA
D LISA



13455 Caliper Adjusting Gear - R
SJ4074

C LISA
D LISA



15457 Caliper Adjusting Mechanism - L
SJ4113

C LISA
D LISA



13457 Caliper Adjusting Mechanism - R
SJ4114

C LISA
D LISA



16181 Caliper Spline Shaft Mechanism Set - L

MCK1021
MCK1151

C LISA
D LISA



TTT No	Description	Pcs.
15993	Spline Shaft - L	x 1
15994	Bearing House - L	x 1
15980	Ball Bearing	x 3
15981	Anti Rotation Pin	x 1

16180 Caliper Spline Shaft Mechanism Set - R

MCK1022
MCK1152

C LISA
D LISA

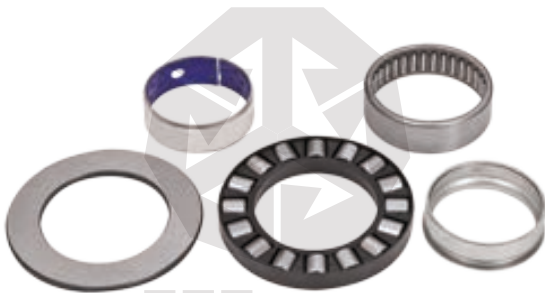


TTT No	Description	Pcs.
15991	Spline Shaft - R	x 1
15992	Bearing House - R	x 1
15980	Ball Bearing	x 3
15981	Anti Rotation Pin	x 1

15028 Caliper Bearings Set

SJ4031

C LISA
D LISA



TTT No	Description	Pcs.
15695	Needle Bearing	x 1
15696	Thrust Bearing	x 1
15693	Thrust Washer	x 1
15681	Bush - Ø 40 x 44 / 15 mm	x 1
15682	Ring	x 1
15707	Grease (White) - 5 g	x 1

17667 Ball Bearing Set

C LISA
D LISA



TTT No	Description	Pcs.
15980	Ball Bearing	x 3

17024 Caliper Lever

68915080
68915081

C LISA
D LISA



17396 Caliper Cover Bolt Kit

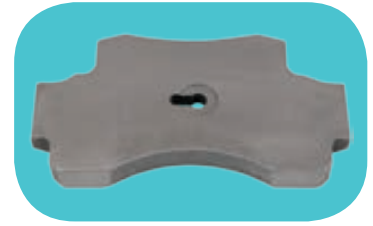
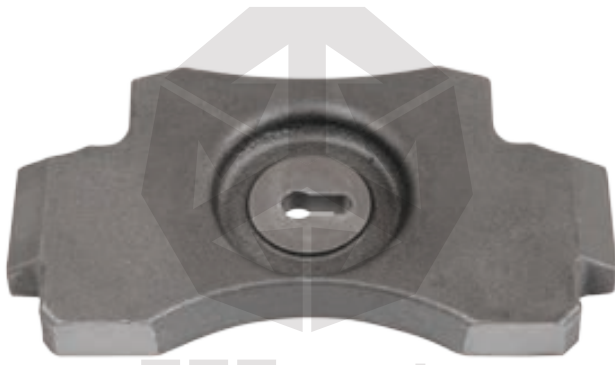
C LISA
D LISA



TTT No	Description	Pcs.
17397	Cover Bolt - M14 x 1.5 / 90 mm	x 7

16741 Caliper Brake Lining Plate

C LISA

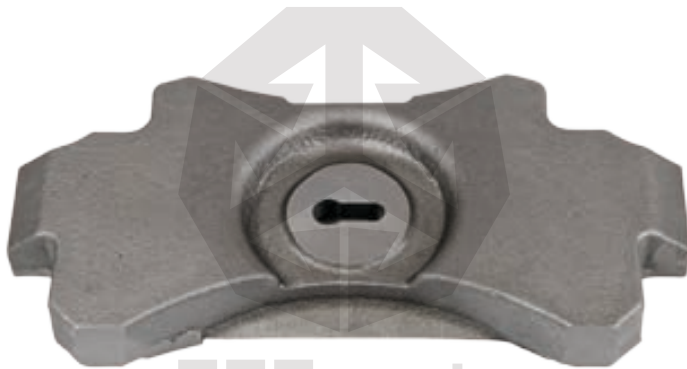


TTT - auto

15062 Caliper Brake Lining Plate

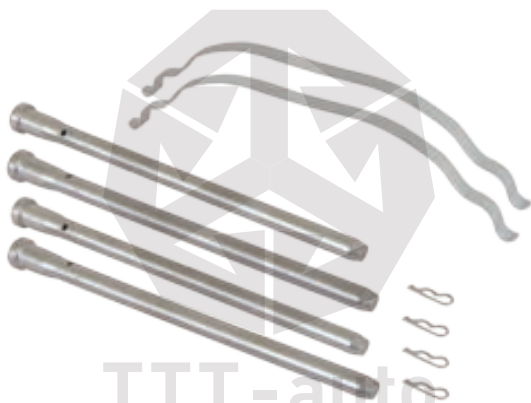
SJ4117
68321441

D LISA



TTT - auto

17283 Brake Pad Retainer Repair Kit D LISA
SJ4022



TTT - auto

17448 Caliper Pad Spring Set D LISA
MBA101



TTT - auto

MERITOR
LISA

17274 Caliper Complete Repair Kit - L

C LISA

RENAULT MIDLINER/MIDLUM
NISSAN M140 ECOT



TTT No	Description	Pcs.		
18700	Caliper Pin Repair Kit	x 1	15556	Adjusting O-ring x 1
16181	Spline Shaft Mechanism Set - L	x 1	16091	Adjusting Boot x 1
15457	Adjusting Mechanism - L	x 1	15032	Tappet Boot x 1
15455	Adjusting Gear - L	x 1	15024	Gasket x 1
15028	Bearings Set	x 1	16741	Brake Lining Plate x 1
15567	Bevel Seal - Ø 40 x 57 / 6 mm	x 1	15707	Grease (White) - 5 g x 1
15568	Seal - Ø 39 x 52 / 5.5 mm	x 1	15718	Grease (Green) - 8 g x 1
15569	Shield - Ø 42 x 56 / 6 mm	x 1		

17275 Caliper Complete Repair Kit- R

C LISA

RENAULT MIDLINER/MIDLUM
NISSAN M140 ECOT



TTT No	Description	Pcs.		
18700	Caliper Pin Repair Kit	x 1	15556	Adjusting O-ring x 1
16180	Spline Shaft Mechanism Set - R	x 1	16091	Adjusting Boot x 1
13457	Adjusting Mechanism - R	x 1	15032	Tappet Boot x 1
13455	Adjusting Gear - R	x 1	15024	Gasket x 1
15028	Bearings Set	x 1	16741	Brake Lining Plate x 1
15567	Bevel Seal - Ø 40 x 57 / 6 mm	x 1	15707	Grease (White) - 5 g x 1
15568	Seal - Ø 39 x 52 / 5.5 mm	x 1	15718	Grease (Green) - 8 g x 1
15569	Shield - Ø 42 x 56 / 6 mm	x 1		



16529 Caliper Complete Repair Kit - L

D LISA

RENAULT PREMIUM /TR/PR
 RENAULT AE / AE MAGNUM
 RENAULT MAGNUM E-TECH
 VOLVO BUS B7L / B7R
 VOLVO BUS B10B / B10L / B12B
 RENAULT BUS AGORA



TTT No	Description	Pcs.		
14770	Caliper Pin Repair Kit	x 1	15556	Adjusting O-ring x 1
16181	Spline Shaft Mechanism Set - L	x 1	16091	Adjusting Boot x 1
15457	Adjusting Mechanism - L	x 1	15032	Tappet Boot x 1
15455	Adjusting Gear - L	x 1	15024	Gasket x 1
15028	Bearings Set	x 1	15062	Brake Lining Plate x 1
15567	Bevel Seal - Ø 40 x 57 / 6 mm	x 1	15707	Grease (White) - 5 g x 1
15568	Seal - Ø 39 x 52 / 5.5 mm	x 1	15718	Grease (Green) - 8 g x 1
15569	Shield - Ø 42 x 56 / 6 mm	x 1		

16519 Caliper Complete Repair Kit - R

D LISA

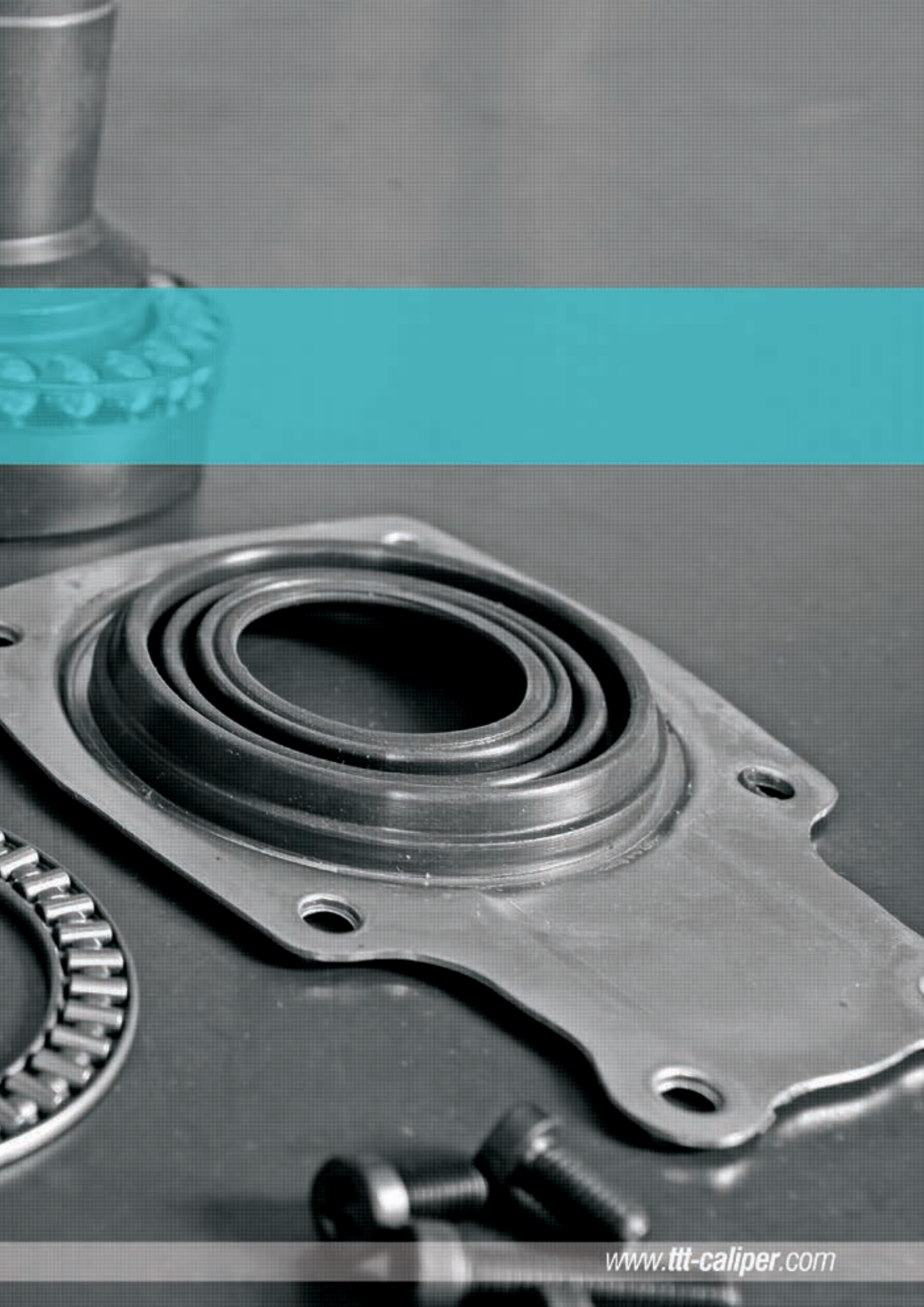
RENAULT PREMIUM /TR/PR
 RENAULT AE / AE MAGNUM
 RENAULT MAGNUM E-TECH
 VOLVO BUS B7L / B7R
 VOLVO BUS B10B / B10L / B12B
 RENAULT BUS AGORA



TTT No	Description	Pcs.		
14770	Caliper Pin Repair Kit	x 1	15556	Adjusting O-ring x 1
16180	Spline Shaft Mechanism Set - R	x 1	16091	Adjusting Boot x 1
13457	Adjusting Mechanism - R	x 1	15032	Tappet Boot x 1
13455	Adjusting Gear - R	x 1	15024	Gasket x 1
15028	Bearings Set	x 1	15062	Brake Lining Plate x 1
15567	Bevel Seal - Ø 40 x 57 / 6 mm	x 1	15707	Grease (White) - 5 g x 1
15568	Seal - Ø 39 x 52 / 5.5 mm	x 1	15718	Grease (Green) - 8 g x 1
15569	Shield - Ø 42 x 56 / 6 mm	x 1		

D3





13519 Caliper Pin Repair Kit

SJ4011
MCK1213

D3



TTT No	Description	Pcs.
14588	Caliper Pin - Ø 32 / 117 mm	x 1
14589	Caliper Pin - Ø 32 / 74 mm	x 1
14591	Pin Bolt - M18 x 1.5 / 120 mm	x 1
14592	Pin Bolt - M18 x 1.5 / 95 mm	x 1
15586	Bush - Ø 32-33 x 36 / 30 mm	x 1
15585	Bush - Ø 32 x 36 / 40 mm	x 2
14594	Pin Cap - Ø 37 / 12 mm	x 2
14593	Dust Cover	x 2
14590	Pin Boot	x 2
15707	Grease (White) - 5 g	x 1

14744 Caliper Pin Repair Kit

SJ4001

D3

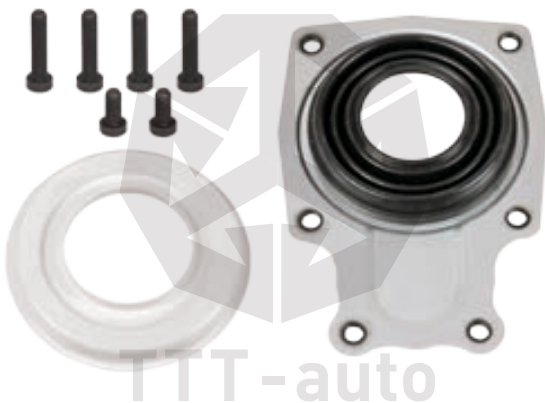


TTT No	Description	Pcs.
14588	Caliper Pin - Ø 32 / 117 mm	x 1
14589	Caliper Pin - Ø 32 / 74 mm	x 1
14591	Pin Bolt - M18 x 1.5 / 120 mm	x 1
14592	Pin Bolt - M18 x 1.5 / 95 mm	x 1
14594	Pin Cap - Ø 37 / 12 mm	x 2
14593	Dust Cover	x 2
14590	Pin Boot	x 2
15707	Grease (White) - 5 g	x 1

14583 Spline Shaft Cover Set

SJ1212

D3



TTT No	Description	Pcs.
14570	Spline Shaft Dust Cover	x 1
14575	Spline Shaft Boot	x 1
15449	Bolt - M8 x 1.25 / 40 mm	x 4
14737	Bolt - M8 x 1.25 / 16 mm	x 2

16986 Caliper Seal & Bush Set

D3



TTT No	Description	Pcs.
14574	Boot Plastic	x 1
14582	Bush - Ø 50 x 55 / 20 mm	x 1
16743	Seal	x 1
16748	Circlip	x 1

15707 Grease (White) - For Brass Bush



15456 Caliper Adjusting Gear - L

D3



13456 Caliper Adjusting Gear - R

D3



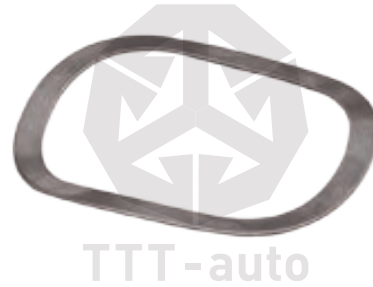
16744 Caliper Adjusting Gear Spring

D3



14567 Wavy Washer
68320133

D3



14566 Thrust Bearing

D3



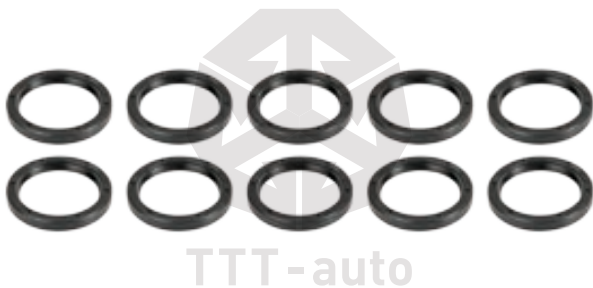
14565 Ball Bearing

D3



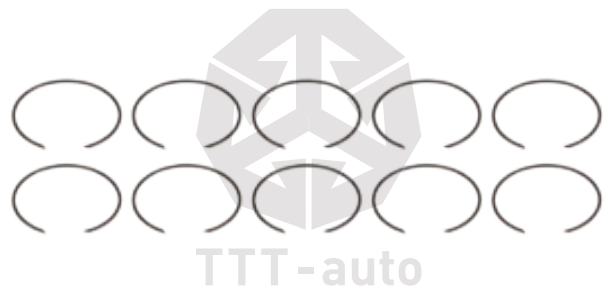
16742 Caliper Seal Set

D3



16747 Caliper Circlip Set

D3



TTT No	Description	Pcs.
16743	Seal	x 10

TTT No	Description	Pcs.
16748	Circlip	x 10

16783 Caliper Calibration Ring Set

D3

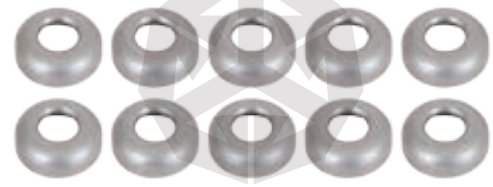


TTT - auto

TTT No	Description	Pcs.
16784	Calibration Ring	x 10

17747 Caliper Spring Plate Set

D3



TTT - auto

TTT No	Description	Pcs.
17642	Spring Plate	x 10

14585 Clutch System (Small) - L

D3



TTT - auto

TTT No	Description	Pcs.
14571	Adjusting Gear (Small)	x 1
14569	Torsion Spring (Small) - L	x 1
14573	Adjuster Bolt - M10 x 1.5 / 50 mm	x 1
15451	Wavy Washer	x 1
14572	Rubber Cap	x 1

14584 Clutch System (Small) - R

D3



TTT - auto

TTT No	Description	Pcs.
14571	Adjusting Gear (Small)	x 1
14568	Torsion Spring (Small) - R	x 1
14573	Adjuster Bolt - M10 x 1.5 / 50 mm	x 1
15451	Wavy Washer	x 1
14572	Rubber Cap	x 1

14775 Clutch System (Big) - L

D3



TTT - auto

TTT No	Description	Pcs.
14742	Torsion Spring Bearing	x 1
14579	Torsion Spring (Big) - L	x 1
14747	Washer	x 4
14748	Washer	x 3

14774 Clutch System (Big) - R

D3



TTT - auto

TTT No	Description	Pcs.
14742	Torsion Spring Bearing	x 1
14578	Torsion Spring (Big) - R	x 1
14747	Washer	x 4
14748	Washer	x 3

15649 Spline Shaft / Front - L
48 Teeth

D3



15648 Spline Shaft / Front - R
48 Teeth

D3



14577 Spline Shaft / Front - L
26 Teeth

D3



14576 Spline Shaft / Front - R
26 Teeth

D3



14587 Spline Shaft / Rear - L

D3



14586 Spline Shaft / Rear - R

D3



14581 Bearing House - L

D3



14580 Bearing House - R

D3



13518 Caliper Brake Lining Plate
68320912
68321272

D3



TTT - auto

17018 Caliper Lever - (48 Teeth)
68321502

D3



TTT - auto

17019 Caliper Lever - (26 Teeth)
31932070
68321507
68321508

D3



TTT - auto

17590 Caliper Cover Bolt Kit

D3



TTT - auto

TTT No	Description	Pcs.
14768	Cover Bolt - M16 x 1.5 / 55 mm	x 4

17447 Caliper Pad Retainer Kit
68320550
68323027

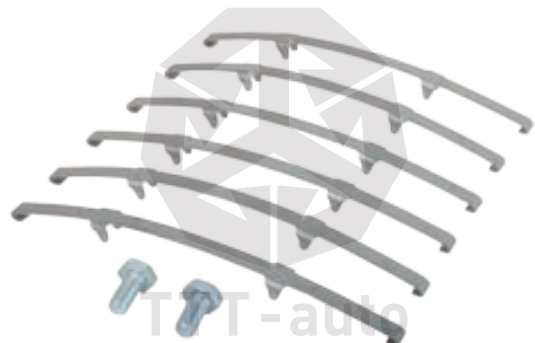
D3



TTT - auto

17723 Caliper Pad Spring Set
MBA108

D3



TTT - auto

16642 Caliper Repair Kit - Front - L

D3

MAN F2000 / F90
RENAULT PREMIUM / MAGNUM



TTT No	Description	Pcs.			
14583	Spline Shaft Cover Set	x 1	14582	Bush - Ø 50 x 55 / 20 mm	x 1
15649	Spline Shaft / Front - L - (48 Teeth)	x 1	14574	Boot Plastic	x 1
14581	Bearing House - L	x 1	14565	Ball Bearing	x 1
15456	Adjusting Gear - L	x 1	14566	Thrust Bearing	x 1
14775	Clutch System (Big) - L	x 1	14567	Wavy Washer	x 1
14584	Clutch System (Small) - R	x 1			

16641 Caliper Repair Kit - Front - R

D3

MAN F2000 / F90
RENAULT PREMIUM / MAGNUM



TTT No	Description	Pcs.			
14583	Spline Shaft Cover Set	x 1	14582	Bush - Ø 50 x 55 / 20 mm	x 1
15648	Spline Shaft / Front - R - (48 Teeth)	x 1	14574	Boot Plastic	x 1
14580	Bearing House - R	x 1	14565	Ball Bearing	x 1
13456	Adjusting Gear - R	x 1	14566	Thrust Bearing	x 1
14774	Clutch System (Big) - R	x 1	14567	Wavy Washer	x 1
14585	Clutch System (Small) - L	x 1			

15516 Caliper Repair Kit - Front - L

D3

MB BUS 0350 / 0403 / 0404
EVOBUS INTEGRO
SETRA S315 GT

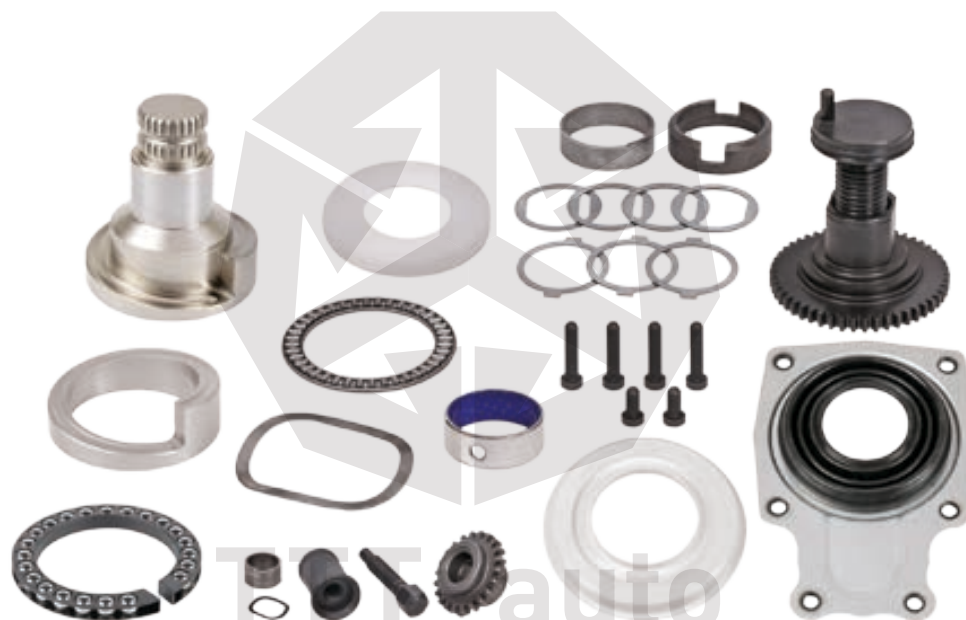


TTT No	Description	Pcs.		
14583	Spline Shaft Cover Set	x 1	14582	Bush - Ø 50 x 55 / 20 mm x 1
14577	Spline Shaft / Front - L - (26 Teeth)	x 1	14574	Boot Plastic x 1
14581	Bearing House - L	x 1	14565	Ball Bearing x 1
15456	Adjusting Gear - L	x 1	14566	Thrust Bearing x 1
14775	Clutch System (Big) - L	x 1	14567	Wavy Washer x 1
14584	Clutch System (Small) - R	x 1		

13516 Caliper Repair Kit - Front - R

D3

MB BUS 0350 / 0403 / 0404
EVOBUS INTEGRO
SETRA S315 GT



TTT No	Description	Pcs.		
14583	Spline Shaft Cover Set	x 1	14582	Bush - Ø 50 x 55 / 20 mm x 1
14576	Spline Shaft / Front - R - (26 Teeth)	x 1	14574	Boot Plastic x 1
14580	Bearing House - R	x 1	14565	Ball Bearing x 1
13456	Adjusting Gear - R	x 1	14566	Thrust Bearing x 1
14774	Clutch System (Big) - R	x 1	14567	Wavy Washer x 1
14585	Clutch System (Small) - L	x 1		



15517 Caliper Repair Kit - Rear - L

D3

MB BUS 0350 / 0403 / 0404



TTT No	Description	Pcs.			
14583	Spline Shaft Cover Set	x 1	14582	Bush - Ø 50 x 55 / 20 mm	x 1
14587	Spline Shaft / Rear - L	x 1	14574	Boot Plastic	x 1
14581	Bearing House - L	x 1	14565	Ball Bearing	x 1
15456	Adjusting Gear - L	x 1	14566	Thrust Bearing	x 1
14775	Clutch System (Big) - L	x 1	14567	Wavy Washer	x 1
14584	Clutch System (Small) - R	x 1			

13517 Caliper Repair Kit - Rear - R

D3

MB BUS 0350 / 0403 / 0404



TTT No	Description	Pcs.			
14583	Spline Shaft Cover Set	x 1	14582	Bush - Ø 50 x 55 / 20 mm	x 1
14586	Spline Shaft / Rear - R	x 1	14574	Boot Plastic	x 1
14580	Bearing House - R	x 1	14565	Ball Bearing	x 1
13456	Adjusting Gear - R	x 1	14566	Thrust Bearing	x 1
14774	Clutch System (Big) - R	x 1	14567	Wavy Washer	x 1
14585	Clutch System (Small) - L	x 1			

19101 Caliper Complete Repair Kit - Front - L

D3

MAN F2000 / F90
RENAULT PREMIUM / MAGNUM



TTT No	Description	Pcs.			
13519	Caliper Pin Repair Kit	x 1	14565	Ball Bearing	x 1
14583	Spline Shaft Cover Set	x 1	14566	Thrust Bearing	x 1
15649	Spline Shaft / Front - L - (48 Teeth)	x 1	14567	Wavy Washer	x 1
14581	Bearing House - L	x 1	16986	Seal & Bush Set	x 1
15456	Adjusting Gear - L	x 1	16784	Calibration Ring	x 1
16744	Adjusting Gear Spring	x 1	13518	Brake Lining Plate	x 1
14775	Clutch System (Big) - L	x 1	17018	Caliper Lever - (48 Teeth)	x 1
14584	Clutch System (Small) - R	x 1	15707	Grease (White) - 5 g	x 2
17642	Spring Plate	x 1			

19102 Caliper Complete Repair Kit - Front - R

D3

MAN F2000 / F90
RENAULT PREMIUM / MAGNUM



TTT No	Description	Pcs.			
13519	Caliper Pin Repair Kit	x 1	14565	Ball Bearing	x 1
14583	Spline Shaft Cover Set	x 1	14566	Thrust Bearing	x 1
15648	Spline Shaft / Front - R - (48 Teeth)	x 1	14567	Wavy Washer	x 1
14580	Bearing House - R	x 1	16986	Seal & Bush Set	x 1
13456	Adjusting Gear - R	x 1	16784	Calibration Ring	x 1
16744	Adjusting Gear Spring	x 1	13518	Brake Lining Plate	x 1
14774	Clutch System (Big) - R	x 1	17018	Caliper Lever - (48 Teeth)	x 1
14585	Clutch System (Small) - L	x 1	15707	Grease (White) - 5 g	x 2
17642	Spring Plate	x 1			



19103 Caliper Complete Repair Kit - Front - L

D3

MB BUS O350 / O403 / O404
EVOBUS INTEGRO
SETRA S315 GT



TTT No	Description	Pcs.			
13519	Caliper Pin Repair Kit	x 1	14565	Ball Bearing	x 1
14583	Spline Shaft Cover Set	x 1	14566	Thrust Bearing	x 1
14577	Spline Shaft / Front - L - (26 Teeth)	x 1	14567	Wavy Washer	x 1
14581	Bearing House - L	x 1	16986	Seal & Bush Set	x 1
15456	Adjusting Gear - L	x 1	16784	Calibration Ring	x 1
16744	Adjusting Gear Spring	x 1	13518	Brake Lining Plate	x 1
14775	Clutch System (Big) - L	x 1	17019	Caliper Lever - (26 Teeth)	x 1
14584	Clutch System (Small) - R	x 1	15707	Grease (White) - 5 g	x 2
17642	Spring Plate	x 1			

19104 Caliper Complete Repair Kit - Front - R

D3

MB BUS O350 / O403 / O404
EVOBUS INTEGRO
SETRA S315 GT



TTT No	Description	Pcs.			
13519	Caliper Pin Repair Kit	x 1	14565	Ball Bearing	x 1
14583	Spline Shaft Cover Set	x 1	14566	Thrust Bearing	x 1
14576	Spline Shaft / Front - R - (26 Teeth)	x 1	14567	Wavy Washer	x 1
14580	Bearing House - R	x 1	16986	Seal & Bush Set	x 1
13456	Adjusting Gear - R	x 1	16784	Calibration Ring	x 1
16744	Adjusting Gear Spring	x 1	13518	Brake Lining Plate	x 1
14774	Clutch System (Big) - R	x 1	17019	Caliper Lever - (26 Teeth)	x 1
14585	Clutch System (Small) - L	x 1	15707	Grease (White) - 5 g	x 2
17642	Spring Plate	x 1			

19105 Caliper Complete Repair Kit - Rear - L

D3

MB BUS 0350 / 0403 / 0404



TTT No	Description	Pcs.			
13519	Caliper Pin Repair Kit	x 1	14565	Ball Bearing	x 1
14583	Spline Shaft Cover Set	x 1	14566	Thrust Bearing	x 1
14587	Spline Shaft / Rear - L	x 1	14567	Wavy Washer	x 1
14581	Bearing House - L	x 1	16986	Seal & Bush Set	x 1
15456	Adjusting Gear - L	x 1	16784	Calibration Ring	x 1
16744	Adjusting Gear Spring	x 1	13518	Brake Lining Plate	x 1
14775	Clutch System (Big) - L	x 1	17019	Caliper Lever - (26 Teeth)	x 1
14584	Clutch System (Small) - R	x 1	15707	Grease (White) - 5 g	x 2
17642	Spring Plate	x 1			

19106 Caliper Complete Repair Kit - Rear - R

D3

MB BUS 0350 / 0403 / 0404



TTT No	Description	Pcs.			
13519	Caliper Pin Repair Kit	x 1	14565	Ball Bearing	x 1
14583	Spline Shaft Cover Set	x 1	14566	Thrust Bearing	x 1
14586	Spline Shaft / Rear - R	x 1	14567	Wavy Washer	x 1
14580	Bearing House - R	x 1	16986	Seal & Bush Set	x 1
13456	Adjusting Gear - R	x 1	16784	Calibration Ring	x 1
16744	Adjusting Gear Spring	x 1	13518	Brake Lining Plate	x 1
14774	Clutch System (Big) - R	x 1	17019	Caliper Lever - (26 Teeth)	x 1
14585	Clutch System (Small) - L	x 1	15707	Grease (White) - 5 g	x 2
17642	Spring Plate	x 1			

MERITOR

D3



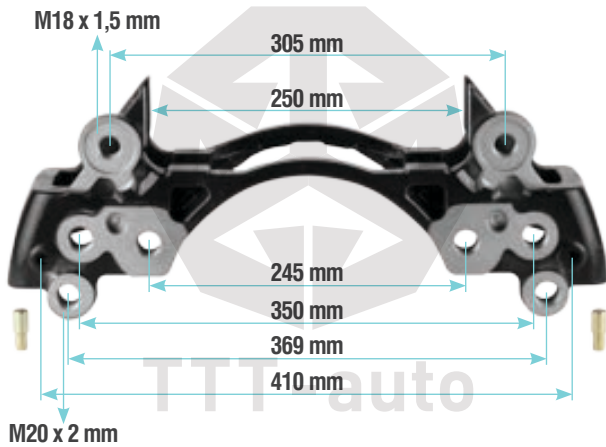
The image features two views of a Meritor carrier component, a complex metal part used in heavy machinery. The top view shows a side profile of the carrier with a large circular hole and a smaller one below it. The bottom view shows a top-down perspective of the carrier, highlighting several circular mounting points and a central circular opening. A teal banner with the text 'MERITOR CARRIERS' is overlaid across the middle of the image.

MERITOR CARRIERS

20305 Caliper Carrier - 22.5 " ELSA 225

MCK1297 S
MCK1322 S
68325303 S

VOLVO - (With Pin)
RENAULT - (Without Pin)



20335 Caliper Carrier Kit - 22.5 " ELSA 225

MCK1297
MCK1322
68325303

VOLVO - (With Pin)
RENAULT - (Without Pin)

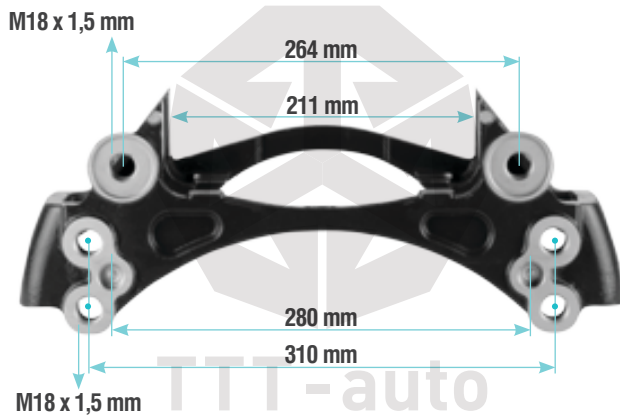


TTT No	Description	Pcs.
20305	Caliper Carrier	x 1
15573	Pin Bolt - M18 x 1.5 / 120 mm	x 2
15574	Pin Bolt - M18 x 1.5 / 80 mm	x 1

20306 Caliper Carrier - 19.5 " ELSA 195

MCK1252 S
68324660 S

ROR Axle



20336 Caliper Carrier Kit - 19.5 " ELSA 195

MCK1252
68324660

ROR Axle

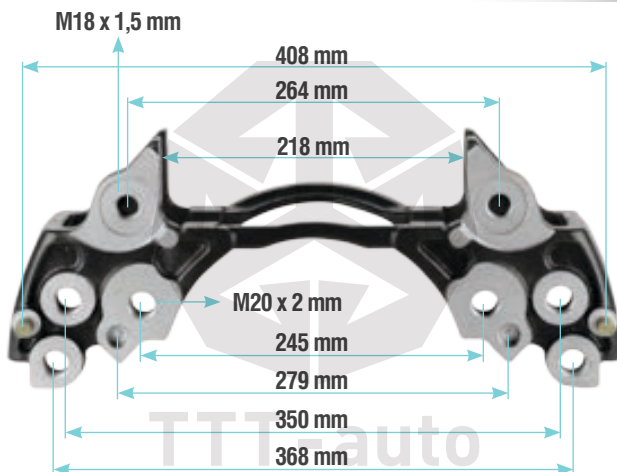


TTT No	Description	Pcs.
20306	Caliper Carrier	x 1
15573	Pin Bolt - M18 x 1.5 / 120 mm	x 1
15574	Pin Bolt - M18 x 1.5 / 80 mm	x 1

20308 Caliper Carrier - 22.5 " ELSA 225

MCK1319 S
68325306 S

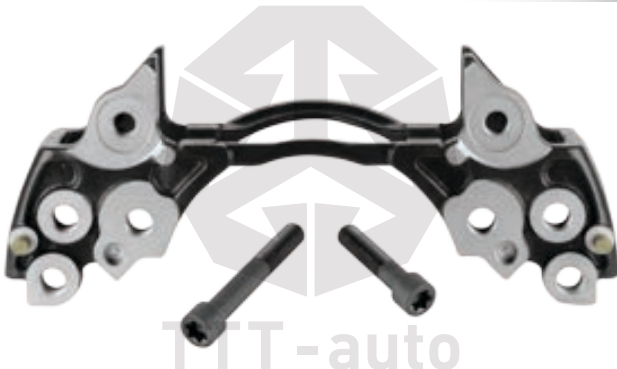
VOLVO
RENAULT



20338 Caliper Carrier Kit - 22.5 " ELSA 225

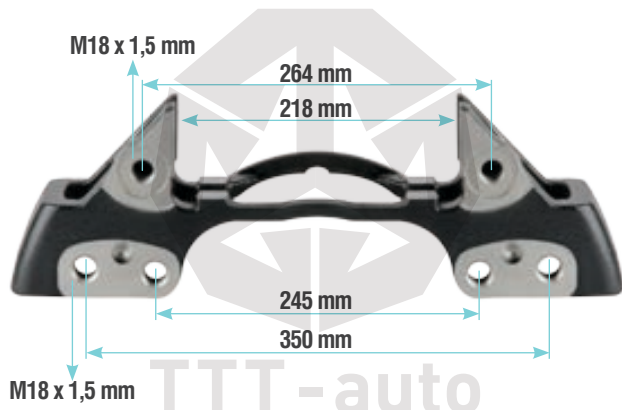
MCK1319
68325306

VOLVO
RENAULT

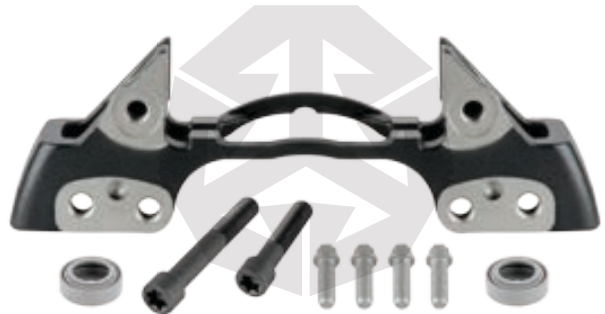


TTT No	Description	Pcs.
20308	Caliper Carrier	x 1
15573	Pin Bolt - M18 x 1.5 / 120 mm	x 1
15574	Pin Bolt - M18 x 1.5 / 80 mm	x 1

20309 Caliper Carrier - 22.5 " **ELSA 225**
MCK1384 S *ROR Axle*

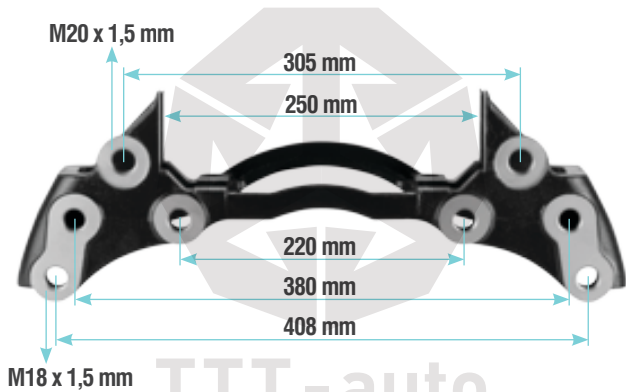


20339 Caliper Carrier Kit - 22.5 " **ELSA 225**
MCK1384 *ROR Axle*



TTT No	Description	Pcs.
20309	Caliper Carrier	x 1
15573	Pin Bolt - M18 x 1.5 / 120 mm	x 1
15574	Pin Bolt - M18 x 1.5 / 80 mm	x 1
15583	Bolt - M14 x 1.5 / 40 mm	x 4
14640	Pin Boot	x 2

20310 Caliper Carrier - 22.5 " **ELSA 1**
BDA445 S *MAN RENAULT*

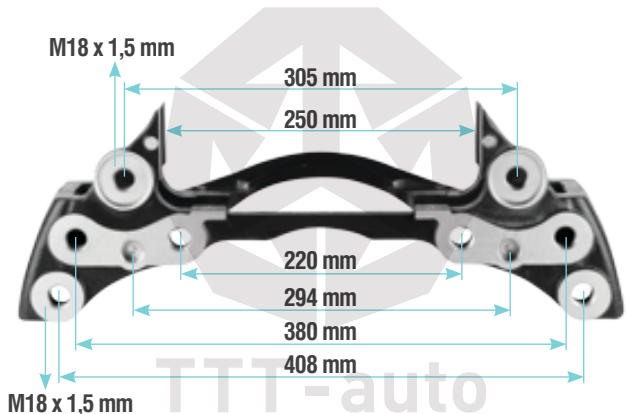


20340 Caliper Carrier Kit - 22.5 " **ELSA 1**
BDA445 *MAN RENAULT*
68321617

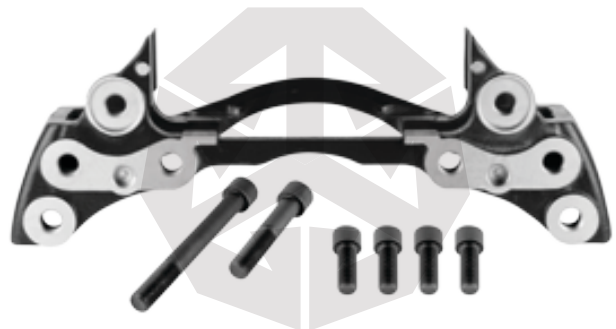


TTT No	Description	Pcs.
20310	Caliper Carrier	x 1
14609	Pin Bolt - M20 x 1.5 / 150 mm	x 1
14610	Pin Bolt - M20 x 1.5 / 90 mm	x 1
14605	Pin Cap Ø 45 / 28 mm	x 2

20307 Caliper Carrier - 22.5 " **ELSA 225**
MCK1138 S *ROR Axle*
MCK1368 S



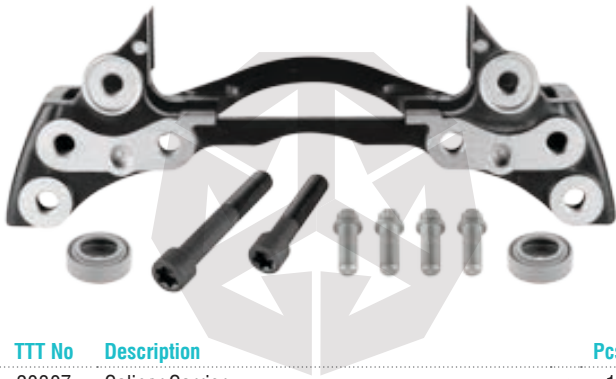
20347 Caliper Carrier Kit - 22.5 " **ELSA 2**
MCK1138 *MAN TGA*



TTT No	Description	Pcs.
20307	Caliper Carrier	x 1
14685	Pin Bolt - M18 x 1.5 / 150 mm	x 1
14686	Pin Bolt - M18 x 1.5 / 90 mm	x 1
14766	Bolt - M16 x 1.5 / 40 mm	x 4

20348 Caliper Carrier Kit - 22.5 " ELSA 225
MCK1368

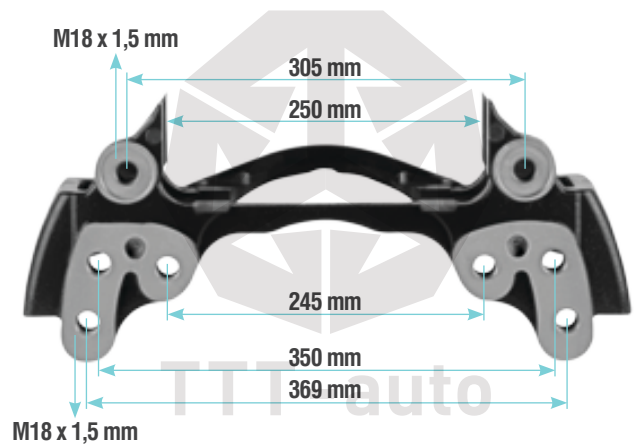
ROR Axle



TTT No	Description	Pcs.
20307	Caliper Carrier	x 1
15573	Pin Bolt - M18 x 1.5 / 120 mm	x 1
15574	Pin Bolt - M18 x 1.5 / 80 mm	x 1
15584	Bolt - M16 x 1.5 / 40 mm	x 4
14640	Pin Boot	x 2

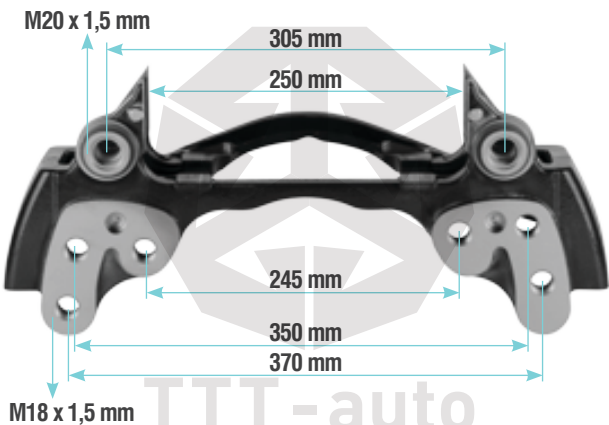
20311 Caliper Carrier - 22.5 " ELSA 2
68323673

RENAULT 420



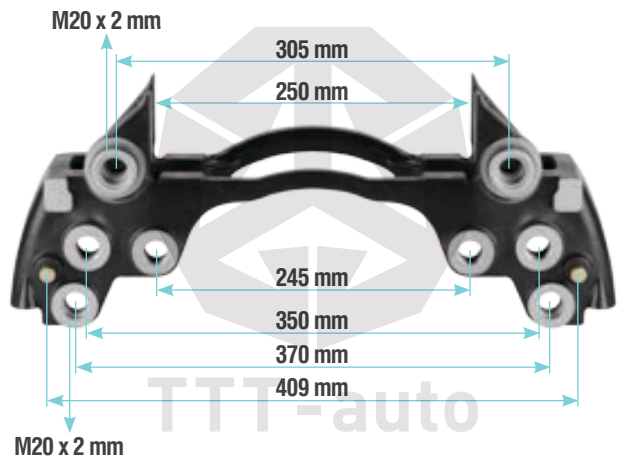
20312 Caliper Carrier - 22.5 " ELSA 2
68324199

RENAULT 380 / 400



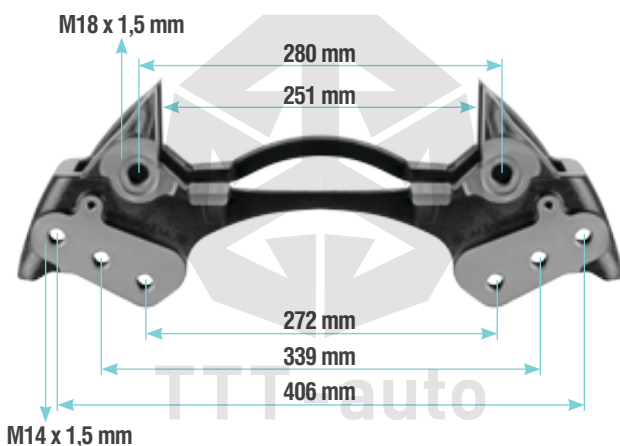
20315 Caliper Carrier - 22.5 " D DUCO
68322778
68322849

VOLVO FH / FM



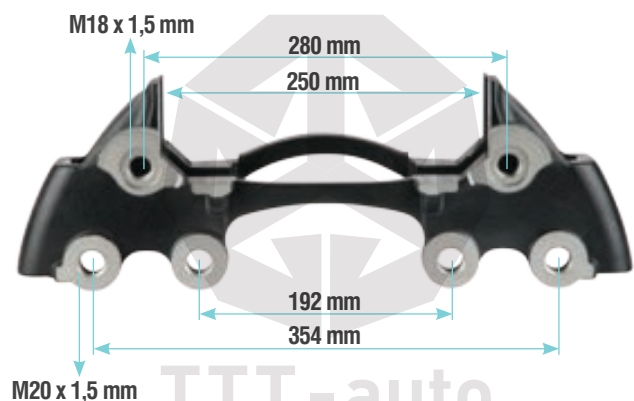
20317 Caliper Carrier - 22.5 " D3
BDA443
31932043

MB 0403 / 0404



20318 Caliper Carrier - 22.5 " D3
68320814

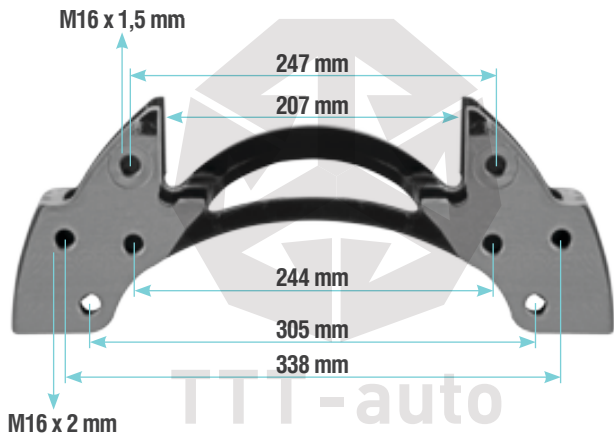
RENAULT MAGNUM / PREMIUM



20320 Caliper Carrier - 19.5 "
MCK1185
68323215

DX195

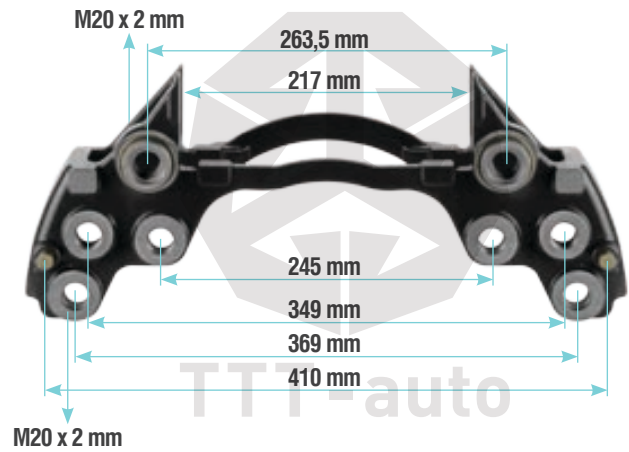
ROR Axle



20323 Caliper Carrier - 19.5 "
68323828

LE DUCO

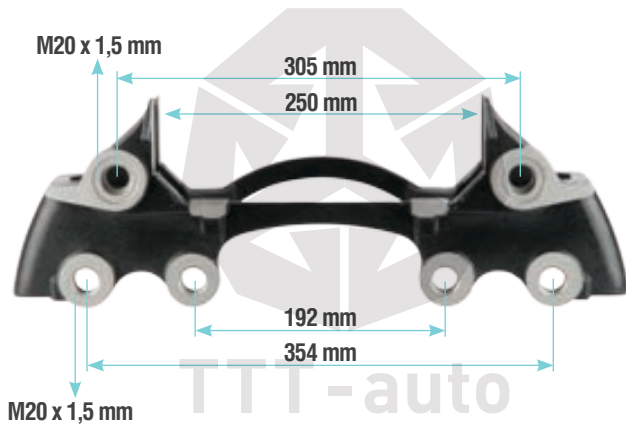
VOLVO FM



20328 Caliper Carrier - 22.5 "
68321281

D LISA

RENAULT MAGNUM / PREMIUM



www.ttt-caliper.com



for **wabco** caliper

13449 Caliper Boot & Pin Repair Kit PAN 17

12 999 699VT
12 999 702

MAN L2000 / M2000-L
DAF LF45
RENAULT MIDLUM M112
IVECO EUROCARGO
IVECO BUS EUROPOLIS



TTT No	Description	Pcs.
14622	Caliper Pin - Ø 30 / 91 mm	x 1
14623	Caliper Pin - Ø 30 / 77 mm	x 1
14624	Pin Bolt - M16 x 1.5 / 90 mm	x 1
14625	Pin Bolt - M16 x 1.5 / 70 mm	x 1
14628	Pin Bush - Ø 30 x 34 / 20 mm	x 2
15754	Pin Bush - Ø 30 x 34 / 25 mm	x 1
14629	Pin Cap - Ø 34 / 17 mm	x 2
14626	Tappet Boot	x 1
14627	Pin Boot	x 2
15707	Grease (White) - 5 g	x 1

14641 Caliper Boot & Pin Repair Kit PAN 17



TTT No	Description	Pcs.
14622	Caliper Pin - Ø 30 / 91 mm	x 1
14623	Caliper Pin - Ø 30 / 77 mm	x 1
14628	Pin Bush - Ø 30 x 34 / 20 mm	x 2
15754	Pin Bush - Ø 30 x 34 / 25 mm	x 1
14629	Pin Cap - Ø 34 / 17 mm	x 2
14626	Tappet Boot	x 1
14627	Pin Boot	x 2
15707	Grease (White) - 5 g	x 1

14631 Caliper Boot & Pin Bush Set PAN 17



TTT No	Description	Pcs.
14628	Pin Bush - Ø 30 x 34 / 20 mm	x 2
15754	Pin Bush - Ø 30 x 34 / 25 mm	x 1
14629	Pin Cap - Ø 34 / 17 mm	x 2
14626	Tappet Boot	x 1
14627	Pin Boot	x 2

14817 Caliper Boot & Pin Cap Set PAN 17



TTT No	Description	Pcs.
14629	Pin Cap - Ø 34 / 17 mm	x 2
14626	Tappet Boot	x 1
14627	Pin Boot	x 2

13450 Caliper Boot Set PAN 17



TTT No	Description	Pcs.
14626	Tappet Boot	x 1
14627	Pin Boot	x 2

14809 Caliper Boot & Bolt Set 12 999 580VT

PAN 17



TTT No	Description	Pcs.
14630	Caliper Boot & Pin Bolt Repair Kit	x 1
14810	Caliper Head Gasket Set	x 1
14756	Caliper Head Bolt - M10 x 1 / 40 mm	x 8

14808 Caliper Pin Repair Kit

PAN 17



TTT No	Description	Pcs.
14622	Caliper Pin - Ø 30 / 91 mm	x 1
14623	Caliper Pin - Ø 30 / 77 mm	x 1
14624	Pin Bolt - M16 x 1.5 / 90 mm	x 1
14625	Pin Bolt - M16 x 1.5 / 70 mm	x 1
14756	Caliper Head Bolt - M10 x 1 / 40 mm	x 8

14630 Caliper Boot & Pin Bolt Repair Kit 12 999 704VT

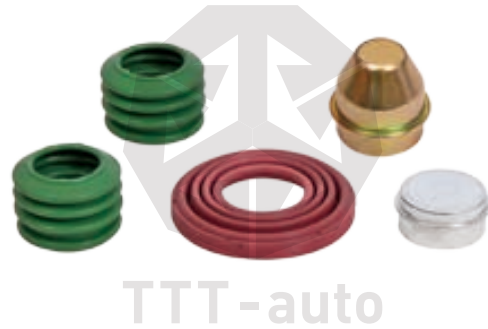
PAN 17



TTT No	Description	Pcs.
14624	Pin Bolt - M16 x 1.5 / 90 mm	x 1
14625	Pin Bolt - M16 x 1.5 / 70 mm	x 1
14628	Pin Bush - Ø 30 x 34 / 20 mm	x 2
15754	Pin Bush - Ø 30 x 34 / 25 mm	x 1
14629	Pin Cap - Ø 34 / 17 mm	x 2
14626	Tappet Boot	x 1
14627	Pin Boot	x 2

15905 Caliper Boot & Pin Cap Set

PAN 17



TTT No	Description	Pcs.
14629	Pin Cap - Ø 34 / 17 mm	x 1
18656	Pin Cap - Ø 34 / 38 mm	x 1
14626	Tappet Boot	x 1
14627	Pin Boot	x 2

18656 Pin Cap - Ø 34 / 38 mm

PAN 17



15707 Grease (White) - For Brass Bush



15718 Grease (Green) - For Rubber Bush



13451 Calibration Bolt
(With Pin) - 87 mm

PAN 17



TTT - auto

13452 Calibration Bolt
(With Groove) - 87 mm

PAN 17



TTT - auto

13448 Caliper Adjusting Mechanism Set - Short (With Pin)

PAN 17



TTT - auto

14758 Caliper Adjusting Mechanism Set - Short (With Groove)

PAN 17



TTT - auto

WABCO

PAN 17

TTT No	Description	Pcs.
14494	Mechanism Washer & Spring Set	x 1
14761	Mechanism Slot - 110 mm	x 1
13451	Bolt - (With Pin) - 87 mm	x 1
14752	Torsion Spring Ring (Thick)	x 1
14753	Torsion Spring Ring (Thin)	x 1
14754	Torsion Spring	x 1

TTT No	Description	Pcs.
14494	Mechanism Washer & Spring Set	x 1
14761	Mechanism Slot - 110 mm	x 1
13452	Bolt - (With Groove) - 87 mm	x 1
14752	Torsion Spring Ring (Thick)	x 1
14753	Torsion Spring Ring (Thin)	x 1
14754	Torsion Spring	x 1

14494 Adjusting Mechanism Washer & Spring Set

PAN 17



TTT - auto

15023 Shaft Housing

PAN 17



TTT - auto

TTT No	Description	Pcs.
14773	Adjusting Spring	x 1
14783	Bevel Washer	x 1
14784	Washer	x 1
14785	Bottom Washer	x 1
14786	Locker Ring	x 1
14787	Clips	x 1



17268 Complete Mechanism Set Short (With Pin) PAN 17



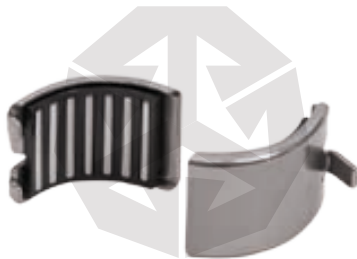
TTT No	Description		Pcs.
13448	Caliper Adjusting Mechanism Set - Short (With Pin)	x	1
15023	Shaft Housing	x	1

17273 Complete Mechanism Set Short (With Groove) PAN 17



TTT No	Description		Pcs.
14758	Caliper Adjusting Mechanism Set - Short (With Groove)	x	1
15023	Shaft Housing	x	1

14662 Needle Bearing Set PAN 17



TTT No	Description		Pcs.
13478	Needle Bearing	x	2

15500 Caliper Lever PAN 17



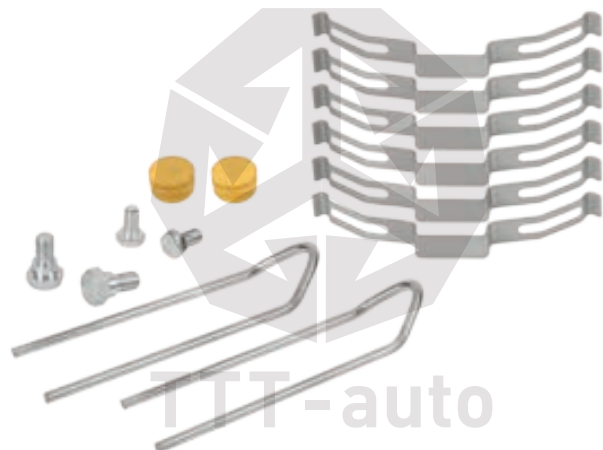
TTT No	Description		Pcs.
13478	Needle Bearing	x	2

14810 Caliper Head Gasket Set PAN 17



TTT No	Description		Pcs.
14776	Caliper Head Gasket	x	1
14777	Caliper Head Seal	x	1
14778	Caliper Head Cap	x	1
16033	Caliper Head Seal	x	1

16409 Brake Pad Retainer Set PAN 17



13447 Brake Caliper Repair Kit

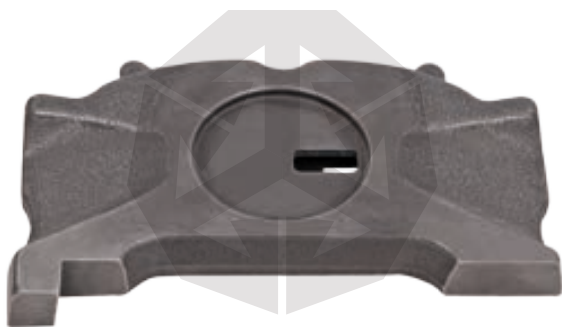
PAN 17



TTT No	Description	Pcs.
13448	Caliper Adjusting Mechanism Set - Short (With Pin)	x 1
14622	Caliper Pin - Ø 30 / 91 mm	x 1
14623	Caliper Pin - Ø 30 / 77 mm	x 1
14624	Pin Bolt - M16 x 1.5 / 90 mm	x 1
14625	Pin Bolt - M16 x 1.5 / 70 mm	x 1
14628	Pin Bush - Ø 30 x 34 / 20 mm	x 2
15754	Pin Bush - Ø 30 x 34 / 25 mm	x 1
14629	Pin Cap - Ø 34 / 17 mm	x 2
14626	Tappet Boot	x 1
14627	Pin Boot	x 2
15707	Grease (White) - 5 g	x 1

15454 Brake Lining Plate (With Groove) - L

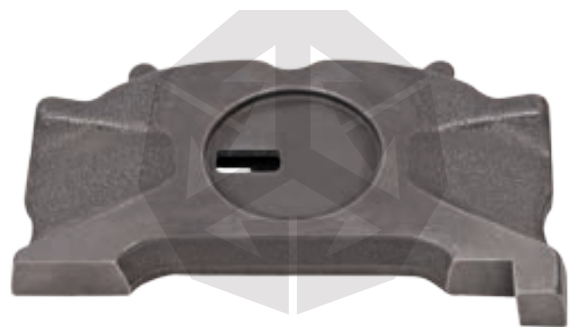
PAN 17



TTT - auto

13454 Brake Lining Plate (With Groove) - R

PAN 17



TTT - auto



17160 Caliper Complete Repair Kit - L - (With Pin)

PAN 17

MAN L2000 / M2000-L
DAF LF45
RENAULT MIDLUM M112
IVECO EUROCARGO
IVECO BUS EUROPOLIS



TTT No	Description	Pcs.			
13449	Caliper Boot & Pin Repair Kit	x 1	14810	Caliper Head Gasket Set	x 1
15454	Brake Lining Plate (With Groove) - L	x 1	14756	Caliper Head Bolt - M10 x 1 / 40 mm	x 8
17268	Complete Mechanism Set - Short (With Pin)	x 1	15707	Grease (White) - 5 g	x 1
14662	Needle Bearing Set	x 1	15718	Grease (Green) - 8 g	x 1
15500	Caliper Lever	x 1			

17150 Caliper Complete Repair Kit - R - (With Pin)

PAN 17

MAN L2000 / M2000-L
DAF LF45
RENAULT MIDLUM M112
IVECO EUROCARGO
IVECO BUS EUROPOLIS



TTT No	Description	Pcs.			
13449	Caliper Boot & Pin Repair Kit	x 1	14810	Caliper Head Gasket Set	x 1
13454	Brake Lining Plate (With Groove) - R	x 1	14756	Caliper Head Bolt - M10 x 1 / 40 mm	x 8
17268	Complete Mechanism Set - Short (With Pin)	x 1	15707	Grease (White) - 5 g	x 1
14662	Needle Bearing Set	x 1	15718	Grease (Green) - 8 g	x 1
15500	Caliper Lever	x 1			

14805 Brake Caliper Repair Kit

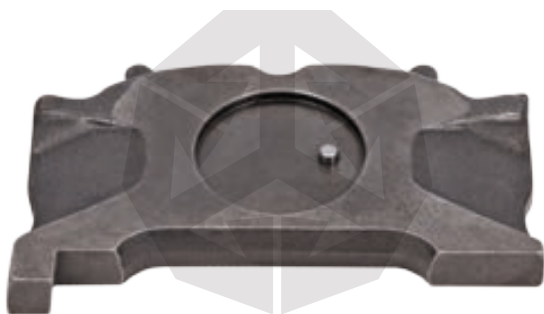
PAN 17



TTT No	Description	Pcs.
14758	Caliper Adjusting Mechanism Set - Short (With Groove)	x 1
14622	Caliper Pin - Ø 30 / 91 mm	x 1
14623	Caliper Pin - Ø 30 / 77 mm	x 1
14624	Pin Bolt - M16 x 1.5 / 90 mm	x 1
14625	Pin Bolt - M16 x 1.5 / 70 mm	x 1
14628	Pin Bush - Ø 30 x 34 / 20 mm	x 2
15754	Pin Bush - Ø 30 x 34 / 25 mm	x 1
14629	Pin Cap - Ø 34 / 17 mm	x 2
14626	Tappet Boot	x 1
14627	Pin Boot	x 2
15707	Grease (White) - 5 g	x 1

15453 Brake Lining Plate (With Pin) - L

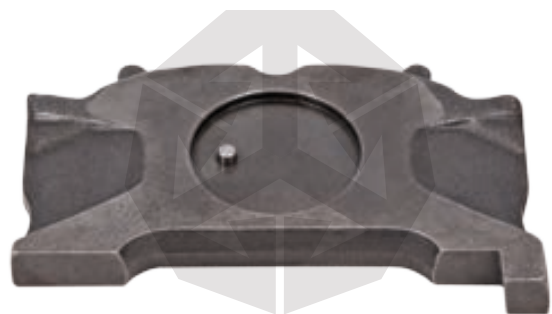
PAN 17



TTT - auto

13453 Brake Lining Plate (With Pin) - R

PAN 17



TTT - auto



17153 Caliper Complete Repair Kit - L - (With Groove)

PAN 17

MAN L2000 / M2000-L
DAF LF45
RENAULT MIDLUM M112
IVECO EUROCARGO
IVECO BUS EUROPOLIS



TTT No	Description	Pcs.			
13449	Caliper Boot & Pin Repair Kit	x 1	14810	Caliper Head Gasket Set	x 1
15453	Brake Lining Plate (With Pin) - L	x 1	14756	Caliper Head Bolt - M10 x 1 / 40 mm	x 8
17273	Complete Mechanism Set - Short (With Groove)	x 1	15707	Grease (White) - 5 g	x 1
14662	Needle Bearing Set	x 1	15718	Grease (Green) - 8 g	x 1
15500	Caliper Lever	x 1			

17143 Caliper Complete Repair Kit - R - (With Groove)

PAN 17

MAN L2000 / M2000-L
DAF LF45
RENAULT MIDLUM M112
IVECO EUROCARGO
IVECO BUS EUROPOLIS



TTT No	Description	Pcs.			
13449	Caliper Boot & Pin Repair Kit	x 1	14810	Caliper Head Gasket Set	x 1
13453	Brake Lining Plate (With Pin) - R	x 1	14756	Caliper Head Bolt - M10 x 1 / 40 mm	x 8
17273	Complete Mechanism Set - Short (With Groove)	x 1	15707	Grease (White) - 5 g	x 1
14662	Needle Bearing Set	x 1	15718	Grease (Green) - 8 g	x 1
15500	Caliper Lever	x 1			

A close-up photograph of a single piston, showing its crown, rings, and skirt. The piston is metallic and has a textured surface. A teal banner is overlaid across the middle of the image, containing white text. The background is dark and out of focus.

19.5" / 22.5" Single Piston

13482 Caliper Boot & Pin Repair Kit

12 999 776
640 225 921 2

PAN 19-1 PLUS
PAN 22-1

DAF LF55
SCHMITZ TRAILER



TTT No	Description	Pcs.
14632	Caliper Pin - Ø 38 / 118 mm	x 1
14633	Caliper Pin - Ø 37.7 / 76 mm	x 1
14634	Pin Bolt - M16 x 1.5 / 120 mm	x 1
14767	Pin Bolt - M16 x 1.5 / 80 mm	x 1
14635	Pin Bush - Ø 38 x 42 / 30 mm	x 3
14644	Pin Cap - Ø 42 / 28 mm	x 1
14638	Pin Cap - Ø 42 / 17 mm	x 1
14636	Tappet Boot	x 1
14637	Pin Boot (Green)	x 2
14645	Washer	x 2
15707	Grease (White) - 5 g	x 1

14816 Caliper Boot & Pin Bush Repair Kit

PAN 19-1 PLUS
PAN 22-1



TTT No	Description	Pcs.
14635	Pin Bush - Ø 38 x 42 / 30 mm	x 3
14644	Pin Cap - Ø 42 / 28 mm	x 1
14638	Pin Cap - Ø 42 / 17 mm	x 1
14636	Tappet Boot	x 1
14637	Pin Boot (Green)	x 2
14645	Washer	x 2

14814 Caliper Boot & Pin Repair Kit

PAN 19-1 PLUS
PAN 22-1



TTT No	Description	Pcs.
14632	Caliper Pin - Ø 38 / 118 mm	x 1
14633	Caliper Pin - Ø 37.7 / 76 mm	x 1
14635	Pin Bush - Ø 38 x 42 / 30 mm	x 3
14644	Pin Cap - Ø 42 / 28 mm	x 1
14638	Pin Cap - Ø 42 / 17 mm	x 1
14636	Tappet Boot	x 1
14637	Pin Boot (Green)	x 2
14645	Washer	x 2
15707	Grease (White) - 5 g	x 1

13483 Caliper Boot Set

PAN 19-1 PLUS
PAN 22-1



TTT No	Description	Pcs.
14636	Tappet Boot	x 1
14637	Pin Boot (Green)	x 2
14645	Washer	x 2

17610 Caliper Tappet Boot & Cap

640 175 920 2

PAN 19-1
PAN 19-1 PLUS
PAN 22-1



TTT No	Description	Pcs.
14636	Tappet Boot	x 1
14777	Caliper Head Seal	x 1
14778	Caliper Head Cap	x 1

14801 Caliper Boot & Pin Repair Kit

12 999 738VT

PAN 19-1
PAN 19-1 PLUS
PAN 22-1

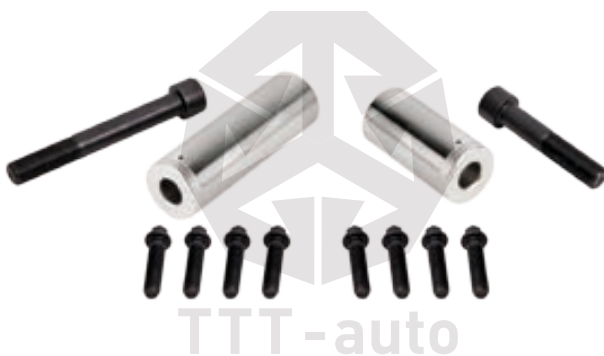
SAF SK RLB INTEGRAL
SAF SK NLB INTEGRAL
SAF SKRB INTEGRAL
SAF SKRS / SKRZ



TTT No	Description	Pcs.
14632	Caliper Pin - Ø 38 / 118 mm	x 1
14633	Caliper Pin - Ø 37.7 / 76 mm	x 1
14634	Pin Bolt - M16 x 1.5 / 120 mm	x 1
14767	Pin Bolt - M16 x 1.5 / 80 mm	x 1
14635	Pin Bush - Ø 38 x 42 / 30 mm	x 3
14644	Pin Cap - Ø 42 / 28 mm	x 2
14638	Pin Cap - Ø 42 / 17 mm	x 2
14636	Tappet Boot	x 1
14799	Pin Boot (White)	x 2
14637	Pin Boot (Green)	x 2
14645	Washer	x 4
15707	Grease (White) - 5 g	x 1

14804 Caliper Pin & Bolt Set

PAN 19-1
PAN 19-1 PLUS
PAN 22-1



TTT No	Description	Pcs.
14632	Caliper Pin - Ø 38 / 118 mm	x 1
14633	Caliper Pin - Ø 37.7 / 76 mm	x 1
14634	Pin Bolt - M16 x 1.5 / 120 mm	x 1
14767	Pin Bolt - M16 x 1.5 / 80 mm	x 1
14756	Caliper Head Bolt - M10 x 1 / 40 mm	x 8

14803 Caliper Boot & Pin Repair Kit

PAN 19-1
PAN 19-1 PLUS
PAN 22-1



TTT No	Description	Pcs.
14632	Caliper Pin - Ø 38 / 118 mm	x 1
14633	Caliper Pin - Ø 37.7 / 76 mm	x 1
14634	Pin Bolt - M16 x 1.5 / 120 mm	x 1
14767	Pin Bolt - M16 x 1.5 / 80 mm	x 1
14635	Pin Bush - Ø 38 x 42 / 30 mm	x 3
14644	Pin Cap - Ø 42 / 28 mm	x 1
14638	Pin Cap - Ø 42 / 17 mm	x 1
14636	Tappet Boot	x 1
14799	Pin Boot (White)	x 2
14645	Washer	x 2
15707	Grease (White) - 5 g	x 1

14802 Caliper Boot & Pin Bush Repair Kit

PAN 19-1
PAN 19-1 PLUS
PAN 22-1



TTT No	Description	Pcs.
14635	Pin Bush - Ø 38 x 42 / 30 mm	x 3
14644	Pin Cap - Ø 42 / 28 mm	x 2
14638	Pin Cap - Ø 42 / 17 mm	x 2
14636	Tappet Boot	x 1
14799	Pin Boot (White)	x 2
14637	Pin Boot (Green)	x 2
14645	Washer	x 4

13484 Calibration Bolt
91 mm

PAN 19-1
PAN 19-1 PLUS
PAN 22-1



TTT - auto

14494 Adjusting Mechanism
Washer & Spring Set

PAN 19-1
PAN 19-1 PLUS
PAN 22-1



TTT - auto

13458 Caliper Adjusting
Mechanism Set - Long
(With Pin)

PAN 19-1
PAN 19-1 PLUS
PAN 22-1



TTT - auto

TTT No	Description	Pcs.
14773	Adjusting Spring	x 1
14783	Bevel Washer	x 1
14784	Washer	x 1
14785	Bottom Washer	x 1
14786	Locker Ring	x 1
14787	Clips	x 1

15022 Shaft Housing

PAN 19-1
PAN 19-1 PLUS
PAN 22-1



TTT - auto

TTT No	Description	Pcs.
14494	Mechanism Washer & Spring Set	x 1
14764	Mechanism Slot - 115 mm	x 1
13484	Calibration Bolt - 91 mm	x 1
14752	Torsion Spring Ring (Thick)	x 1
14753	Torsion Spring Ring (Thin)	x 1
14754	Torsion Spring	x 1

15707 Grease (White) - For Brass Bush



15718 Grease (Green) - For Rubber Bush



WABCO

PAN 19-1
PAN 22-1

17269 Complete Mechanism Set - Long (With Pin)

PAN 19-1
PAN 19-1 PLUS
PAN 22-1



TTT No	Description		Pcs.
13458	Caliper Adjusting Mechanism Set - Long (With Pin)	x	1
15022	Shaft Housing	x	1

14662 Needle Bearing Set

PAN 19-1
PAN 19-1 PLUS
PAN 22-1



TTT No	Description		Pcs.
13478	Needle Bearing	x	2

14810 Caliper Head Gasket Set

PAN 19-1
PAN 19-1 PLUS
PAN 22-1



TTT No	Description		Pcs.
14776	Caliper Head Gasket	x	1
14777	Caliper Head Seal	x	1
14778	Caliper Head Cap	x	1
16033	Caliper Head Seal	x	1

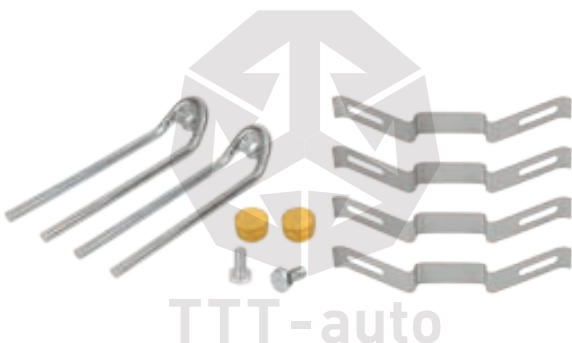
15500 Caliper Lever

PAN 19-1
PAN 19-1 PLUS
PAN 22-1



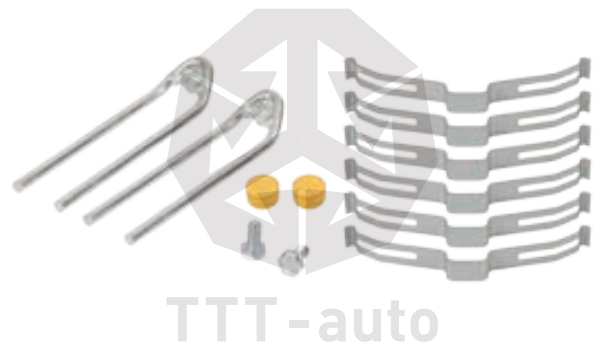
16588 Brake Pad Retainer Set

PAN 19-1
PAN 19-1 PLUS
RENAULT MIDLUM



15934 Brake Pad Retainer Set

PAN 22-1
SAF Axle



13481 Brake Caliper Repair Set

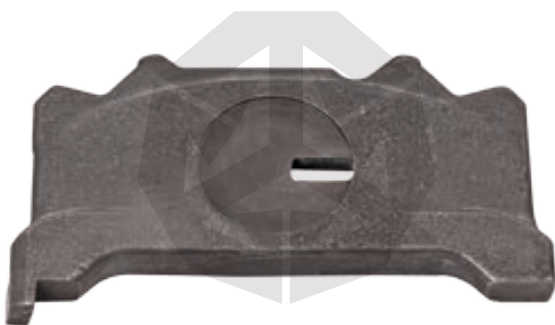
PAN 19-1 PLUS
PAN 22-1



TTT No	Description	Pcs.
13458	Caliper Adjusting Mechanism Set - Long (With Pin)	x 1
14632	Caliper Pin - Ø 38 / 118 mm	x 1
14633	Caliper Pin - Ø 37.7 / 76 mm	x 1
14634	Pin Bolt - M16 x 1.5 / 120 mm	x 1
14767	Pin Bolt - M16 x 1.5 / 80 mm	x 1
14635	Pin Bush - Ø 38 x 42 / 30 mm	x 3
14644	Pin Cap - Ø 42 / 28 mm	x 1
14638	Pin Cap - Ø 42 / 17 mm	x 1
14636	Tappet Boot	x 1
14637	Pin Boot (Green)	x 2
14645	Washer	x 2
15707	Grease (White) - 5 g	x 1

14961 Brake Lining Plate (With Groove) - L 640 195 936 2 - L

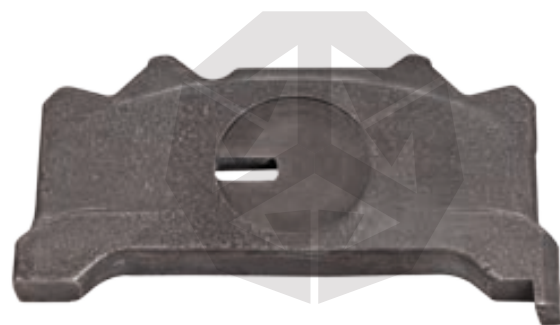
PAN 19-1 PLUS
PAN 22-1



TTT-auto

14960 Brake Lining Plate (With Groove) - R 640 195 936 2 - R

PAN 19-1 PLUS
PAN 22-1



TTT-auto

17260 Caliper Complete Repair Kit - L

PAN 19-1 PLUS
PAN 22-1

DAF LF55
SCHMITZ TRAILER



TTT No	Description	Pcs.		
13482	Caliper Boot & Pin Repair Kit	x 1	14810	Caliper Head Gasket Set x 1
14961	Brake Lining Plate (With Groove) - L	x 1	14756	Caliper Head Bolt - M10 x 1 / 40 mm x 8
17269	Complete Mechanism Set - Long (With Pin)	x 1	15707	Grease (White) - 5 g x 1
14662	Needle Bearing Set	x 1	15718	Grease (Green) - 8 g x 1
15500	Caliper Lever	x 1		

17250 Caliper Complete Repair Kit - R

PAN 19-1 PLUS
PAN 22-1

DAF LF55
SCHMITZ TRAILER



TTT No	Description	Pcs.		
13482	Caliper Boot & Pin Repair Kit	x 1	14810	Caliper Head Gasket Set x 1
14960	Brake Lining Plate (With Groove) - R	x 1	14756	Caliper Head Bolt - M10 x 1 / 40 mm x 8
17269	Complete Mechanism Set - Long (With Pin)	x 1	15707	Grease (White) - 5 g x 1
14662	Needle Bearing Set	x 1	15718	Grease (Green) - 8 g x 1
15500	Caliper Lever	x 1		

WABCO

PAN 19-1
PAN 22-1



15913 Caliper Repair Kit

PAN 19-1
PAN 19-1 PLUS
PAN 22-1



TTT No	Description	Pcs.
13458	Caliper Adjusting Mechanism Set - Long (With Pin)	x 1
14632	Caliper Pin - Ø 38 / 118 mm	x 1
14633	Caliper Pin - Ø 37.7 / 76 mm	x 1
14634	Pin Bolt - M16 x 1.5 / 120 mm	x 1
14767	Pin Bolt - M16 x 1.5 / 80 mm	x 1
14635	Pin Bush - Ø 38 x 42 / 30 mm	x 3
14644	Pin Cap - Ø 42 / 28 mm	x 2
14638	Pin Cap - Ø 42 / 17 mm	x 2
14636	Tappet Boot	x 1
14799	Pin Boot (White)	x 2
14637	Pin Boot (Green)	x 2
14645	Washer	x 4
15707	Grease (White) - 5 g	x 1

15485 Brake Lining Plate (With Groove) - L 640 225 926 2 - L

PAN 19-1
PAN 19-1 PLUS
PAN 22-1



13485 Brake Lining Plate (With Groove) - R 640 225 926 2 - R

PAN 19-1
PAN 19-1 PLUS
PAN 22-1



WABCO

PAN 19-1
PAN 22-1

17286 Caliper Complete Repair Kit - L

PAN 19-1
PAN 19-1 PLUS
PAN 22-1

SAF SK RLB INTEGRAL
 SAF SK NLB INTEGRAL
 SAF SKRB INTEGRAL
 SAF SKRS / SKRZ



TTT No	Description	Pcs.			
14801	Caliper Boot & Pin Repair Kit	x 1	14810	Caliper Head Gasket Set	x 1
15485	Brake Lining Plate (With Groove) - L	x 1	14756	Caliper Head Bolt - M10 x 1 / 40 mm	x 8
17269	Complete Mechanism Set - Long (With Pin)	x 1	15707	Grease (White) - 5 g	x 1
14662	Needle Bearing Set	x 1	15718	Grease (Green) - 8 g	x 1
15500	Caliper Lever	x 1			

17276 Caliper Complete Repair Kit - R

PAN 19-1
PAN 19-1 PLUS
PAN 22-1

SAF SK RLB INTEGRAL
 SAF SK NLB INTEGRAL
 SAF SKRB INTEGRAL
 SAF SKRS / SKRZ



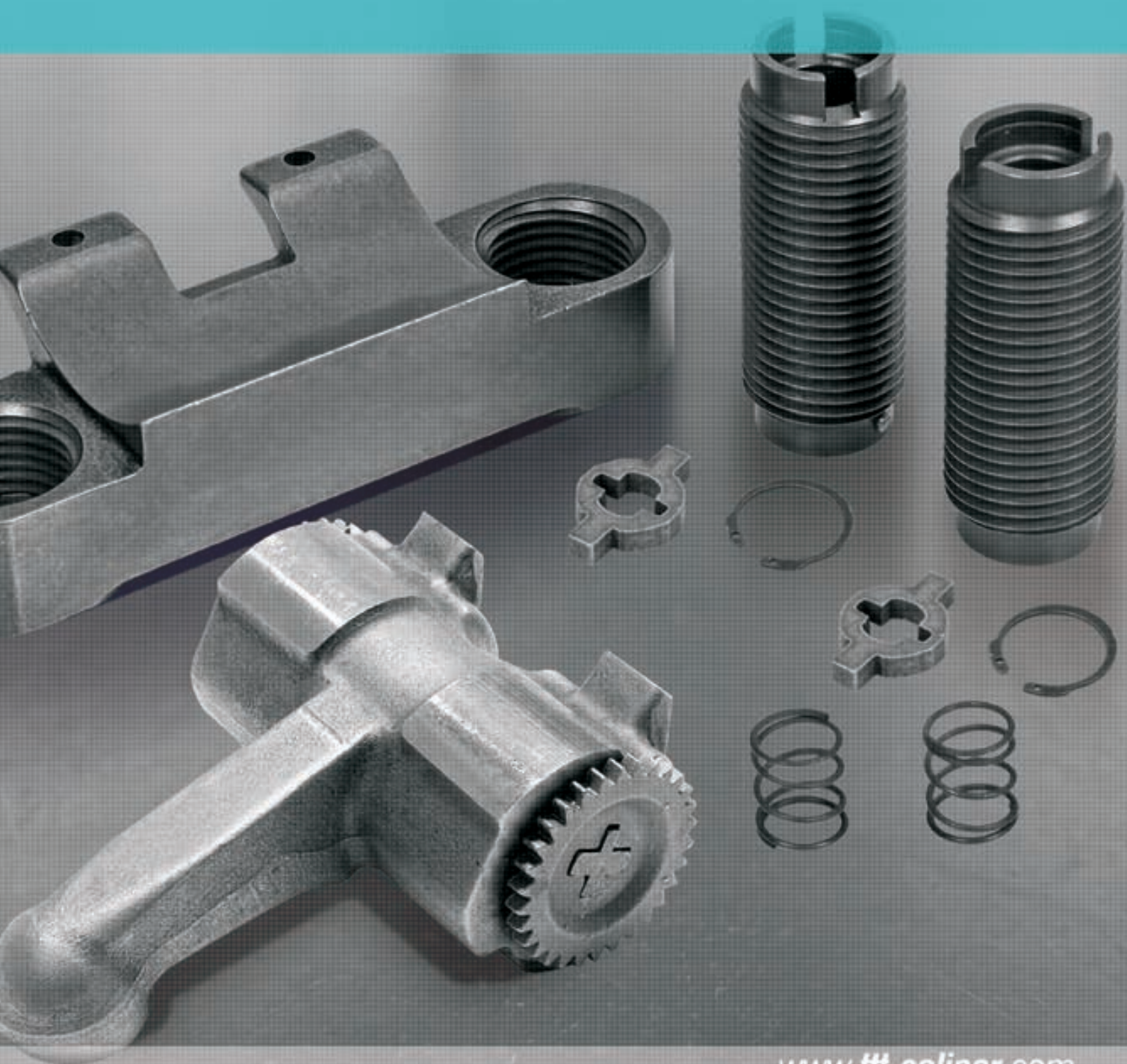
TTT No	Description	Pcs.			
14801	Caliper Boot & Pin Repair Kit	x 1	14810	Caliper Head Gasket Set	x 1
13485	Brake Lining Plate (With Groove) - R	x 1	14756	Caliper Head Bolt - M10 x 1 / 40 mm	x 8
17269	Complete Mechanism Set - Long (With Pin)	x 1	15707	Grease (White) - 5 g	x 1
14662	Needle Bearing Set	x 1	15718	Grease (Green) - 8 g	x 1
15500	Caliper Lever	x 1			

WABCO

PAN 19-1
 PAN 22-1



19.5" / 22.5" Double Piston



15005 Caliper Boot & Pin Repair Kit

12 999 746VT

PAN 19-2

DAF LF55
RENAULT MIDLUM M113



TTT No	Description	Pcs.
15001	Caliper Tappet & Boot Set	x 1
14632	Caliper Pin - Ø 38 / 118 mm	x 1
14633	Caliper Pin - Ø 37.7 / 76 mm	x 1
14634	Pin Bolt - M16 x 1.5 / 120 mm	x 1
14767	Pin Bolt - M16 x 1.5 / 80 mm	x 1
14644	Pin Cap - Ø 42 / 28 mm	x 1
14638	Pin Cap - Ø 42 / 17 mm	x 1
14635	Pin Bush - Ø 38 x 42 / 30 mm	x 3
14799	Pin Boot (White)	x 2
14645	Washer	x 2
14778	Caliper Head Cap	x 2
15707	Grease (White) - 5 g	x 1

15819 Caliper Pin & Boot Set

PAN 19-2



TTT No	Description	Pcs.
14632	Caliper Pin - Ø 38 / 118 mm	x 1
14633	Caliper Pin - Ø 37.7 / 76 mm	x 1
14634	Pin Bolt - M16 x 1.5 / 120 mm	x 1
14767	Pin Bolt - M16 x 1.5 / 80 mm	x 1
15001	Caliper Tappet & Boot Set	x 1
14799	Pin Boot (White)	x 2
14645	Washer	x 2
14778	Caliper Head Cap	x 2
15707	Grease (White) - 5 g	x 1

16538 Caliper Pin Repair Kit

12 999 678VT

PAN 22-2

FRUEHAUF TRAILER
SMB Axle



TTT No	Description	Pcs.
16647	Caliper Pin - Ø 38 / 128 mm	x 1
16648	Caliper Pin - Ø 37.7 / 70 mm	x 1
16629	Pin Bolt - M16 x 1.5 / 130 mm	x 1
14767	Pin Bolt - M16 x 1.5 / 80 mm	x 1
14635	Pin Bush - Ø 38 x 42 / 30 mm	x 3
14799	Pin Boot (White)	x 2
14645	Washer	x 2
14638	Pin Cap - Ø 42 / 17 mm	x 1
16643	Ring - Ø 42 x 57 x 11 mm	x 1
16578	Pin Bellow Cap	x 1
15707	Grease (White) - 5 g	x 1

16993 Caliper Boot & Pin Repair Kit

12 999 677VT

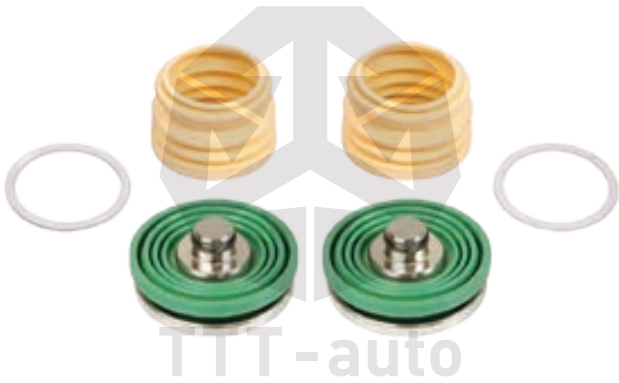
PAN 22-2



TTT No	Description	Pcs.
15001	Caliper Tappet & Boot Set	x 1
16629	Pin Bolt - M16 x 1.5 / 130 mm	x 1
14767	Pin Bolt - M16 x 1.5 / 80 mm	x 1
14799	Pin Boot (White)	x 2
14645	Washer	x 2
14638	Pin Cap - Ø 42 / 17 mm	x 1
16643	Ring - Ø 42 x 57 x 11 mm	x 1
16578	Pin Bellow Cap	x 1
14778	Caliper Head Cap	x 2
15707	Grease (White) - 5 g	x 1

15818 Caliper Tappet & Boot Set

PAN 19-2
PAN 22-2



TTT No	Description	Pcs.
15001	Caliper Tappet & Boot Set	x 1
14799	Pin Boot (White)	x 2
14645	Washer	x 2

15001 Caliper Tappet Set

PAN 19-2
PAN 22-2



TTT No	Description	Pcs.
18381	Tappet	x 2
18382	Ring	x 2
18383	Tappet Boot	x 2

16247 Caliper Mechanism Gear Set - R

PAN 19-2
PAN 22-2



TTT No	Description	Pcs.
16391	Caliper Mechanism Gear - R	x 2

16248 Caliper Mechanism Gear Set - L

PAN 19-2
PAN 22-2



TTT No	Description	Pcs.
16392	Caliper Mechanism Gear - L	x 2

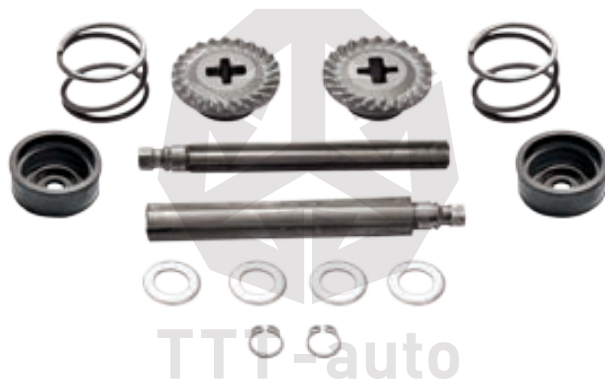
16318 Caliper Mechanism Pin Set

PAN 19-2
PAN 22-2



16448 Caliper Mechanism Repair Set

PAN 19-2
PAN 22-2



WABCO

PAN 19-2
PAN 22-2

16372 Caliper Calibration Bolt Set - L

PAN 19-2
PAN 22-2



TTT No	Description	Pcs.
15402	Caliper Calibration Bolt - L	x 1
17261	Calibration Bolt Locking Plate	x 1
17262	Calibration Bolt Ring	x 1

16371 Caliper Calibration Bolt Set - R

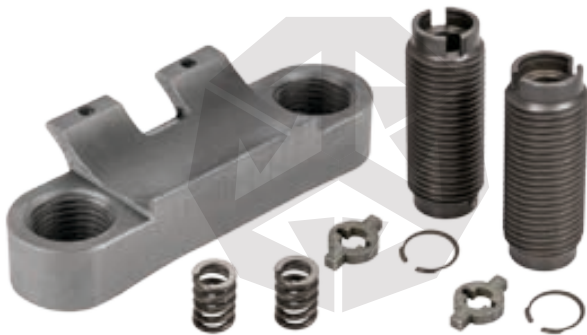
PAN 19-2
PAN 22-2



TTT No	Description	Pcs.
15401	Caliper Calibration Bolt - R	x 1
17261	Calibration Bolt Locking Plate	x 1
17262	Calibration Bolt Ring	x 1

15410 Caliper Shaft Housing Set

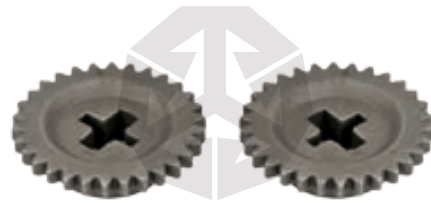
PAN 19-2
PAN 22-2



TTT No	Description	Pcs.
15400	Caliper Shaft Housing	x 1
15401	Caliper Calibration Bolt - R	x 1
15402	Caliper Calibration Bolt - L	x 1
17261	Calibration Bolt Locking Plate	x 2
17262	Calibration Bolt Ring	x 2
15282	Spring	x 2

16258 Caliper Lever Gear Set

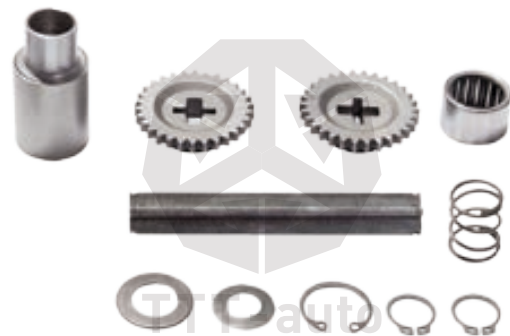
PAN 19-2
PAN 22-2



TTT No	Description	Pcs.
16418	Caliper Lever Gear	x 2

16617 Caliper Lever Mechanism Repair Kit

PAN 19-2
PAN 22-2



16419 Caliper Lever Pin

PAN 19-2
PAN 22-2



16104 Needle Bearing Set

PAN 19-2
PAN 22-2



TTT No	Description	Pcs.
15989	Needle Bearing	x 2

16069 Needle Bearing Set

PAN 19-2
PAN 22-2



TTT - auto

TTT No	Description	Pcs.
15984	Needle Bearing	x 2

16257 Caliper Bearing Saddle

PAN 19-2
PAN 22-2



TTT - auto

16530 Caliper Lever

PAN 19-2
PAN 22-2



TTT - auto

16740 Caliper Lever With Mechanism

PAN 19-2
PAN 22-2



TTT - auto

TTT No	Description	Pcs.
16530	Caliper Lever	x 1
16617	Caliper Lever Mechanism Repair Kit	x 1

16449 Caliper Head Gasket Set

PAN 19-2
PAN 22-2



TTT - auto

TTT No	Description	Pcs.
16097	Caliper Head Gasket	x 1
14777	Caliper Head Seal	x 2
14778	Caliper Head Cap	x 2
14756	Caliper Head Bolt - M10 x 1 / 40 mm	x 2
14766	Bolt - M16 x 1.5 / 40 mm	x 5

16609 Caliper Pad Retainer Kit

PAN 19-2
PAN 22-2

DAF LF55



TTT - auto

17306 Caliper Complete Repair Kit

PAN 19-2

DAF LF55
RENAULT MIDLUM M113



TTT No	Description	Pcs.			
15005	Caliper Boot & Pin Repair Kit	x 1	16448	Caliper Mechanism Repair Set	x 1
15410	Caliper Shaft Housing Set	x 1	16740	Caliper Lever with Mechanism	x 1
16449	Caliper Head Gasket Set	x 1	16257	Caliper Bearing Saddle	x 1
16069	Needle Bearing Set	x 1	15707	Grease (White) - 5 g	x 1
16104	Needle Bearing Set	x 1	15718	Grease (Green) - 8 g	x 1

17359 Caliper Complete Repair Kit

PAN 22-2

FRUEHAUF TRAILER
SMB Axle



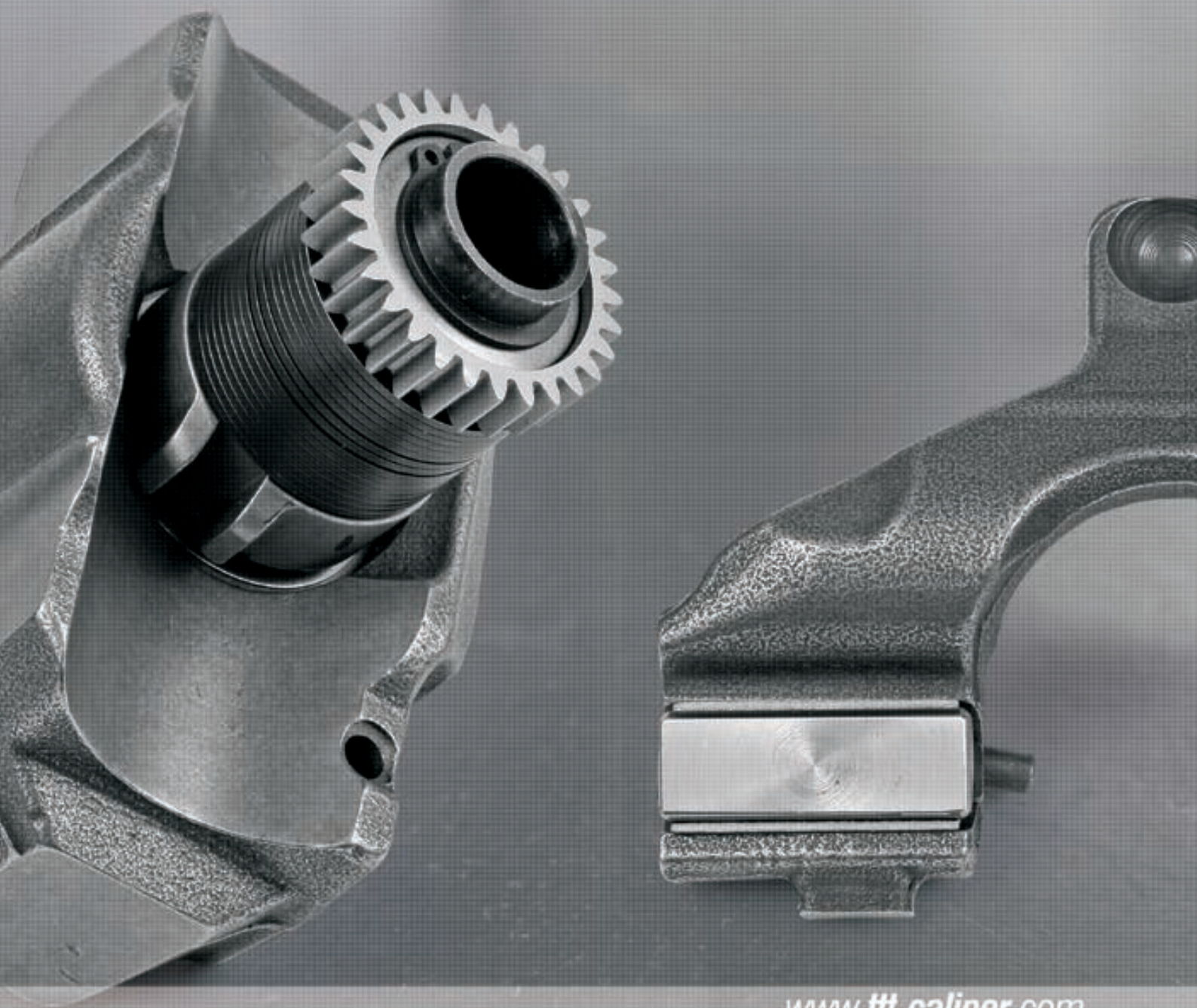
TTT No	Description	Pcs.			
16538	Caliper Pin Repair Kit	x 1	16448	Caliper Mechanism Repair Set	x 1
15001	Caliper Tappet & Boot Set	x 1	16740	Caliper Lever with Mechanism	x 1
15410	Caliper Shaft Housing Set	x 1	16257	Caliper Bearing Saddle	x 1
16449	Caliper Head Gasket Set	x 1	15707	Grease (White) - 5 g	x 1
16069	Needle Bearing Set	x 1	15718	Grease (Green) - 8 g	x 1
16104	Needle Bearing Set	x 1			

WABCO

PAN 19-2
PAN 22-2



MAXX 22



17061 Caliper Boot & Pin Repair Kit

640 322 926 2

MAXX 22

MAN TGX / TGS



TTT No	Description	Pcs.
14632	Caliper Pin - Ø 38 / 118 mm	x 1
14633	Caliper Pin - Ø 37.7 / 76 mm	x 1
14634	Pin Bolt - M16 x 1.5 / 120 mm	x 1
14767	Pin Bolt - M16 x 1.5 / 80 mm	x 1
17062	Pin Bush - Ø 42 x 38 / 35 mm	x 3
14638	Pin Cap - Ø 42 / 17 mm	x 2
14636	Tappet Boot	x 1
14637	Pin Boot (Green)	x 2
14645	Washer	x 2
14778	Caliper Head Cap	x 1
15707	Grease (White) - 5 g	x 2

13483 Caliper Boot Set

MAXX 22



TTT No	Description	Pcs.
14636	Tappet Boot	x 1
14637	Pin Boot (Green)	x 2
14645	Washer	x 2

17149 Caliper Tappet Boot & Cap

640 322 932 2

MAXX 22



TTT No	Description	Pcs.
14636	Tappet Boot	x 1
14778	Caliper Head Cap	x 1

17084 Caliper Boot & Pin Bush Repair Kit

MAXX 22



TTT No	Description	Pcs.
17062	Pin Bush - Ø 42 x 38 / 35 mm	x 3
14638	Pin Cap - Ø 42 / 17 mm	x 2
14636	Tappet Boot	x 1
14637	Pin Boot (Green)	x 2
14645	Washer	x 2
14778	Caliper Head Cap	x 1
15707	Grease (White) - 5 g	x 2

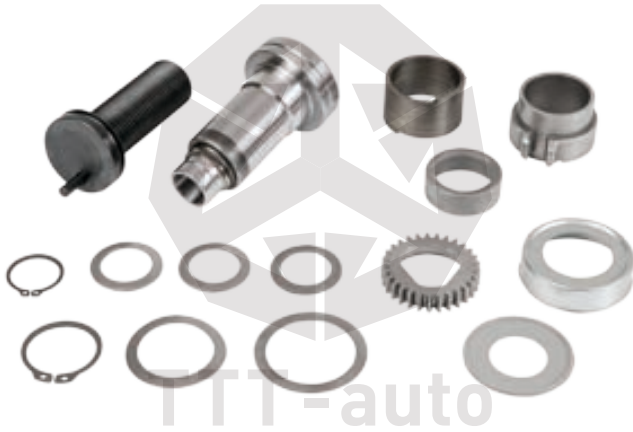
17089 Caliper Calibration Bolt

MAXX 22



17090 Caliper Adjusting Mechanism Set

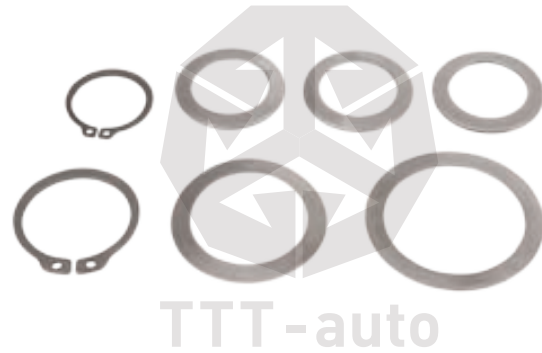
MAXX 22



TTT No	Description	Pcs.
17144	Adjusting Mechanism Washer Set	x 1
17091	Mechanism Slot	x 1
17089	Calibration Bolt	x 1
17099	Torsion Spring Ring (Thick)	x 1
17098	Torsion Spring Ring (Thin)	x 1
17092	Torsion Spring	x 1
17109	Mechanism Gear	x 1
17117	Mechanism Shield	x 1
17118	Calibration Bolt Seal	x 1

17144 Adjusting Mechanism Washer Set

MAXX 22



TTT No	Description	Pcs.
17093	Bevel Washer (Small)	x 3
17094	Bevel Washer (Big)	x 1
17095	Washer	x 1
17096	Clips (Small)	x 1
17097	Clips (Big)	x 1

17148 Adjusting Mechanism Shield Set

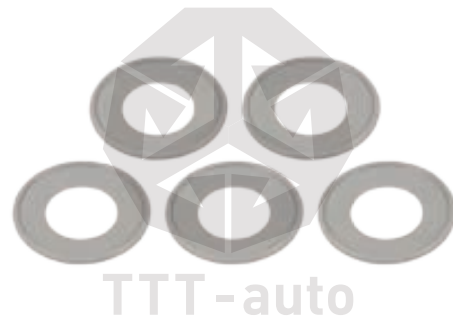
MAXX 22



TTT No	Description	Pcs.
17117	Mechanism Shield	x 5

17154 Calibration Bolt Seal Set

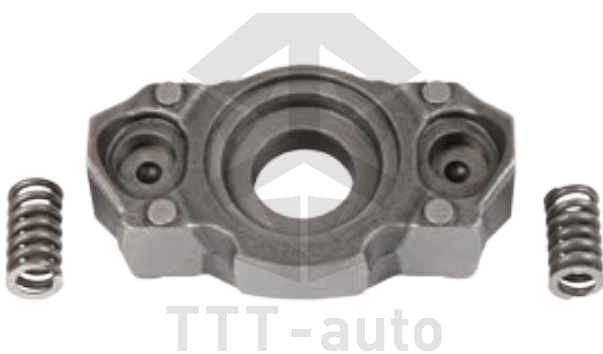
MAXX 22



TTT No	Description	Pcs.
17118	Calibration Bolt Seal	x 5

17088 Caliper Shaft Housing

MAXX 22



17366 Caliper Complete Mechanism Set

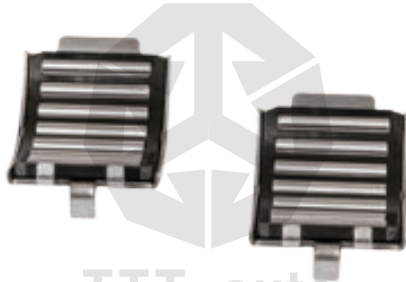
MAXX 22



TTT No	Description	Pcs.
17090	Adjusting Mechanism Set	x 1
17088	Shaft Housing	x 1

17140 Needle Bearing Set

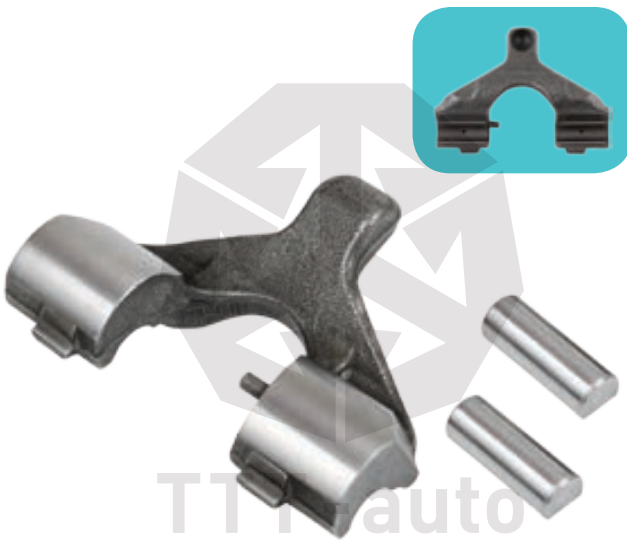
MAXX 22



TTT No	Description	Pcs.
17116	Needle Bearing	x 2

17070 Caliper Lever

MAXX 22



TTT No	Description	Pcs.
17920	Lever	x 1
17082	Roller Bearing	x 2

17080 Caliper Bearing Set

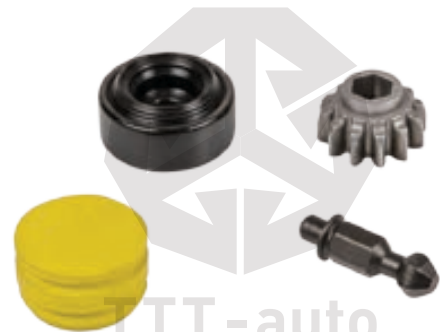
MAXX 22



TTT No	Description	Pcs.
17116	Needle Bearing	x 2
17081	Lever Bearing	x 2
17082	Roller Bearing	x 2

17151 Caliper Manual Adjuster Repair Kit 640 322 927 2

MAXX 22



TTT No	Description	Pcs.
17138	Adjuster Shaft	x 1
17139	Adjuster Gear	x 1
17152	Head Seal	x 1
14778	Caliper Head Cap	x 1

17199 Caliper Cover Set

MAXX 22



TTT No	Description	Pcs.
17979	Cover	x 1
17083	Cover Seal	x 1
14737	Bolt - M8 x 1.25 / 16 mm	x 6

17159 Caliper Cover Seal Set

MAXX 22



TTT No	Description	Pcs.
17083	Cover Seal	x 5

17198 Wear Sensor Repair Kit
(MAN Type)
640 322 928 2

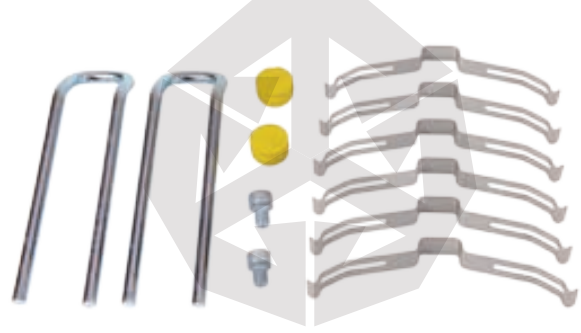
MAXX 22



TTT-auto

17251 Caliper Pad Retainer Kit

MAXX 22



TTT-auto

17161 Brake Lining Plate - L
640 322 931 2 - L

MAXX 22



TTT-auto

17162 Brake Lining Plate - R
640 322 931 2 - R

MAXX 22



TTT-auto

15707 Grease (White) - For Brass Bush



15718 Grease (Green) - For Rubber Bush



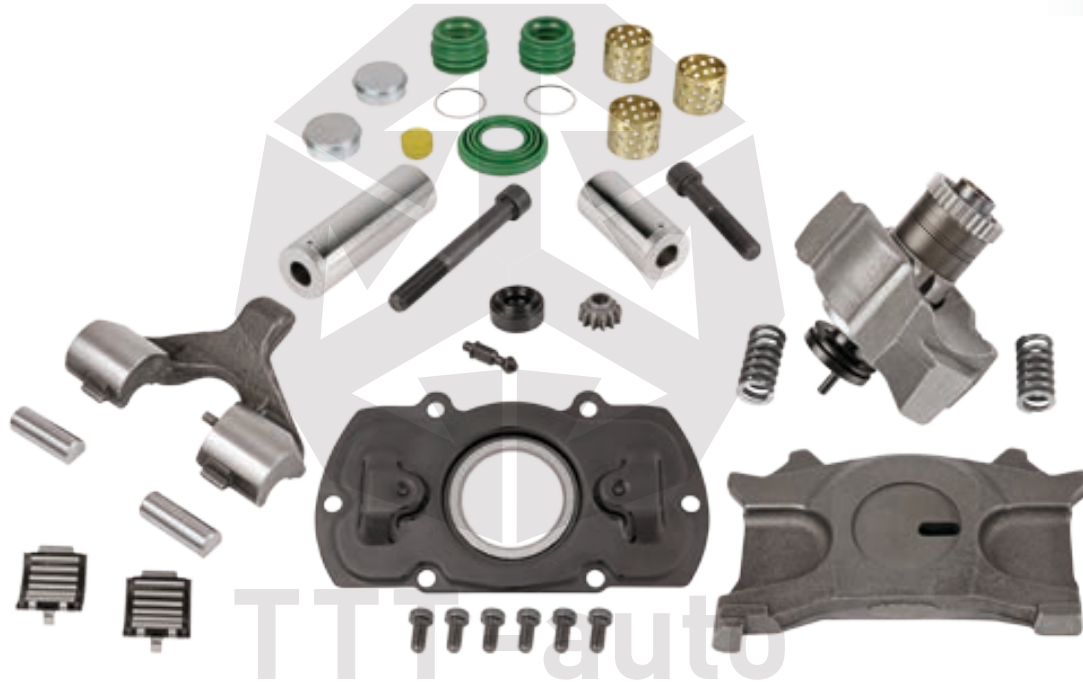
WABCO

MAXX 22

17388 Caliper Complete Repair Kit - L

MAXX 22

MAN TGX / TGS



TTT No	Description	Pcs.		
17061	Caliper Boot & Pin Repair Kit	x 1	17199	Caliper Cover Set x 1
17161	Brake Lining Plate - L	x 1	17151	Manual Adjuster Repair Kit x 1
17366	Complete Mechanism Set	x 1	15707	Grease (White) - 5 g x 1
17140	Needle Bearing Set	x 1	15718	Grease (Green) - 8 g x 1
17070	Caliper Lever	x 1		

17389 Caliper Complete Repair Kit - R

MAXX 22

MAN TGX / TGS



TTT No	Description	Pcs.		
17061	Caliper Boot & Pin Repair Kit	x 1	17199	Caliper Cover Set x 1
17162	Brake Lining Plate - R	x 1	17151	Manual Adjuster Repair Kit x 1
17366	Complete Mechanism Set	x 1	15707	Grease (White) - 5 g x 1
17140	Needle Bearing Set	x 1	15718	Grease (Green) - 8 g x 1
17070	Caliper Lever	x 1		

WABCO

MAXX 22



MAXX 22L



18210 Caliper Boot & Pin Repair Kit

640 322 938 2

MAXX 22L

MB AROCS



TTT No	Description	Pcs.
19531	Caliper Pin - Ø 38 / 118 mm	x 1
19532	Caliper Pin - Ø 37.7 / 76 mm	x 1
19543	Pin Bolt - M16 x 1.5 / 80 mm	x 2
18211	Pin Bush - Ø 38 x 42 / 30 mm	x 3
14638	Pin Cap - Ø 42 / 17 mm	x 2
18212	Tappet Boot	x 1
19521	Pin Boot	x 2
18213	Caliper Head Cap	x 1
15707	Grease (White) - 5 g	x 2

18215 Caliper Pin Repair Kit

640 322 951 2

MAXX 22L



TTT No	Description	Pcs.
19531	Caliper Pin - Ø 38 / 118 mm	x 1
19532	Caliper Pin - Ø 37.7 / 76 mm	x 1
19543	Pin Bolt - M16 x 1.5 / 80 mm	x 2
18211	Pin Bush - Ø 38 x 42 / 30 mm	x 3
14638	Pin Cap - Ø 42 / 17 mm	x 2
19521	Pin Boot	x 2
18213	Caliper Head Cap	x 1
15707	Grease (White) - 5 g	x 2

18222 Caliper Boot & Pin Bolt Repair Kit

640 319 922 2

MAXX 22L



TTT No	Description	Pcs.
19543	Pin Bolt - M16 x 1.5 / 80 mm	x 2
18211	Pin Bush - Ø 38 x 42 / 30 mm	x 3
14638	Pin Cap - Ø 42 / 17 mm	x 2
18212	Tappet Boot	x 1
19521	Pin Boot	x 2
15707	Grease (White) - 5 g	x 2

18224 Caliper Boot & Pin Bush Repair Kit

MAXX 22L



TTT No	Description	Pcs.
18211	Pin Bush - Ø 38 x 42 / 30 mm	x 3
14638	Pin Cap - Ø 42 / 17 mm	x 2
18212	Tappet Boot	x 1
19521	Pin Boot	x 2
18213	Caliper Head Cap	x 1
15707	Grease (White) - 5 g	x 2

18225 Caliper Boot Set

MAXX 22L



TTT No	Description	Pcs.
18212	Tappet Boot	x 1
19521	Pin Boot	x 2

18220 Caliper Tappet Boot & Cap

640 322 942 2

MAXX 22L



TTT No	Description	Pcs.
18212	Tappet Boot	x 1
18213	Caliper Head Cap	x 1

17089 Caliper Calibration Bolt **MAXX 22L**



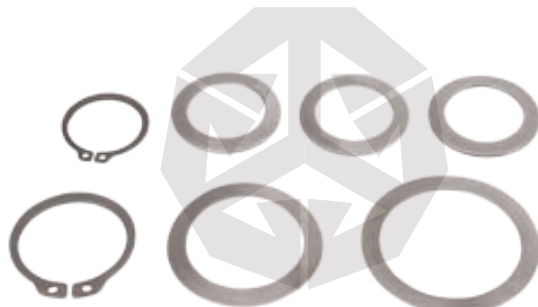
TTT - auto

18305 Caliper Adjusting Mechanism Set **MAXX 22L**



TTT - auto

17144 Adjusting Mechanism Washer Set **MAXX 22L**

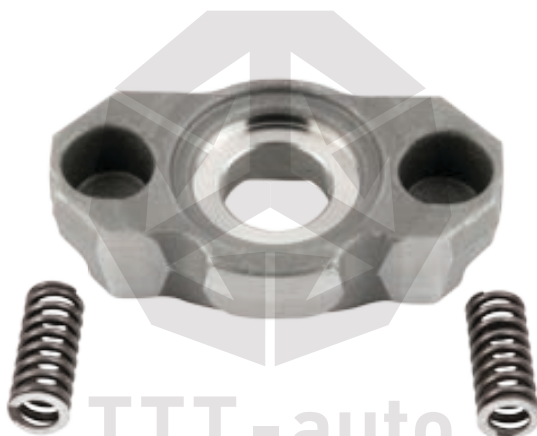


TTT - auto

TTT No	Description	Pcs.
17093	Bevel Washer (Small)	x 3
17094	Bevel Washer (Big)	x 1
17095	Washer	x 1
17096	Clips (Small)	x 1
17097	Clips (Big)	x 1

TTT No	Description	Pcs.
17144	Adjusting Mechanism Washer Set	x 1
18306	Mechanism Slot	x 1
17089	Calibration Bolt	x 1
17099	Torsion Spring Ring (Thick)	x 1
17098	Torsion Spring Ring (Thin)	x 1
17092	Torsion Spring	x 1
17109	Mechanism Gear	x 1

18308 Caliper Shaft Housing **MAXX 22L**



TTT - auto

18310 Caliper Complete Mechanism Set **MAXX 22L**



TTT - auto

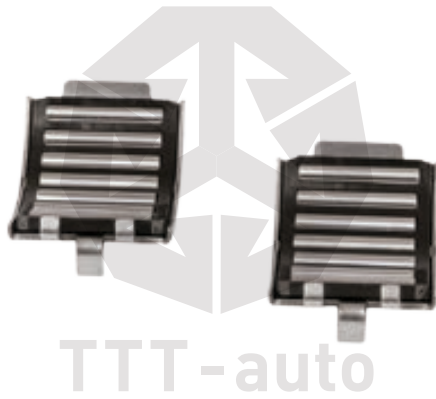
TTT No	Description	Pcs.
18305	Adjusting Mechanism Set	x 1
18308	Shaft Housing	x 1

WABCO

MAXX 22L

17140 Needle Bearing Set

MAXX 22L



TTT No	Description	Pcs.
17116	Needle Bearing	x 2

17080 Caliper Bearing Set

MAXX 22L



TTT No	Description	Pcs.
17116	Needle Bearing	x 2
17081	Lever Bearing	x 2
17082	Roller Bearing	x 2

18290 Caliper Lever

MAXX 22L

MB AROCS Front



TTT No	Description	Pcs.
18291	Lever	x 1
17082	Roller Bearing	x 2

18300 Caliper Lever

MAXX 22L

MB AROCS Rear

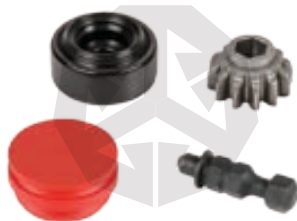


TTT No	Description	Pcs.
18301	Lever	x 1
17082	Roller Bearing	x 2

18235 Caliper Manual Adjuster Repair Kit

MAXX 22L

MB AROCS Rear



TTT No	Description	Pcs.
18228	Adjuster Shaft	x 1
17139	Adjuster Gear	x 1
17152	Head Seal	x 1
18213	Caliper Head Cap	x 1

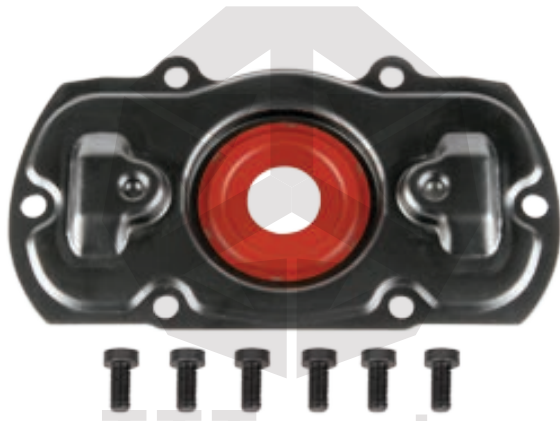
18191 Wear Sensor Repair Kit (Mercedes Type)

MAXX 22L



18311 Caliper Cover Set

MAXX 22L

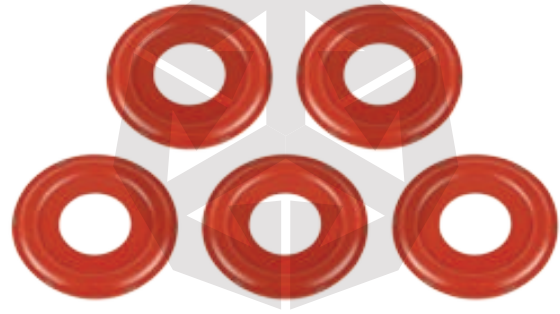


TTT - auto

TTT No	Description	Pcs.
17979	Cover	x 1
18312	Cover Seal	x 1
14737	Bolt - M8 x 1.25 / 16 mm	x 6

18313 Caliper Cover Seal Set

MAXX 22L

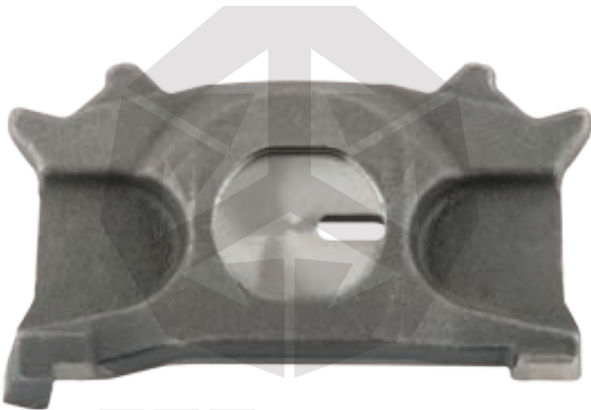


TTT - auto

TTT No	Description	Pcs.
18312	Cover Seal	x 5

18393 Brake Lining Plate - L 640 322 946 2

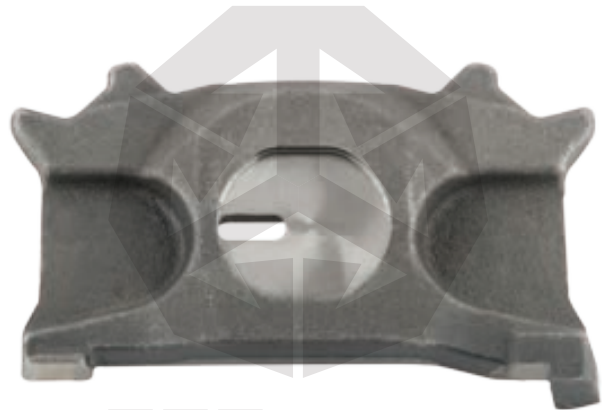
MAXX 22L



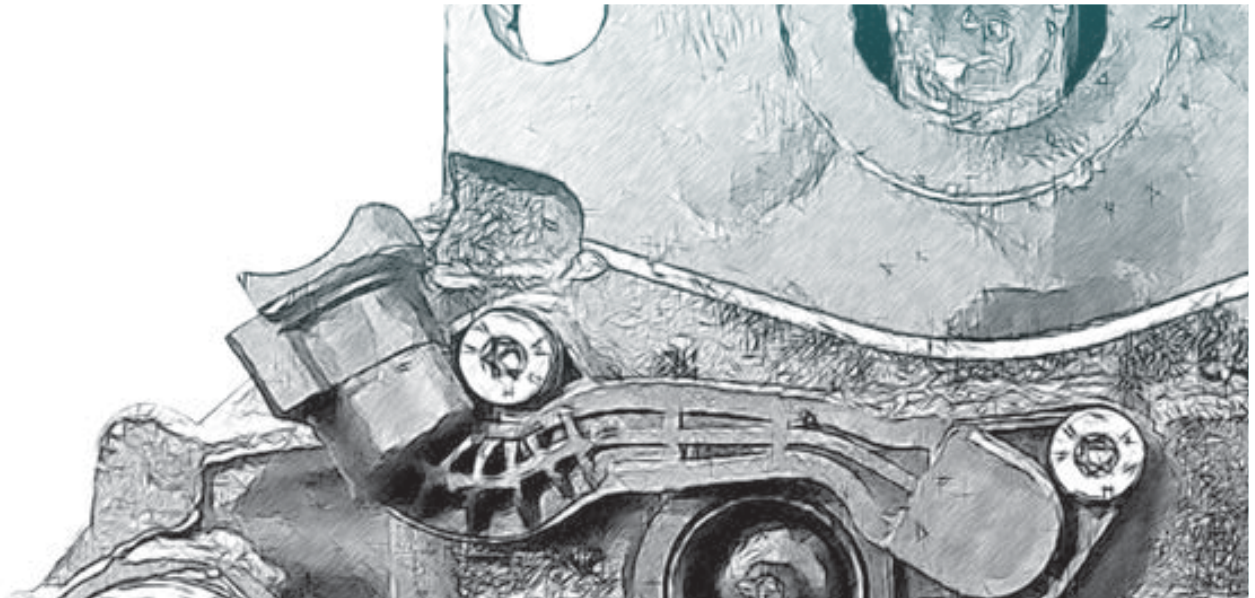
TTT - auto

18394 Brake Lining Plate - R 640 322 945 2

MAXX 22L



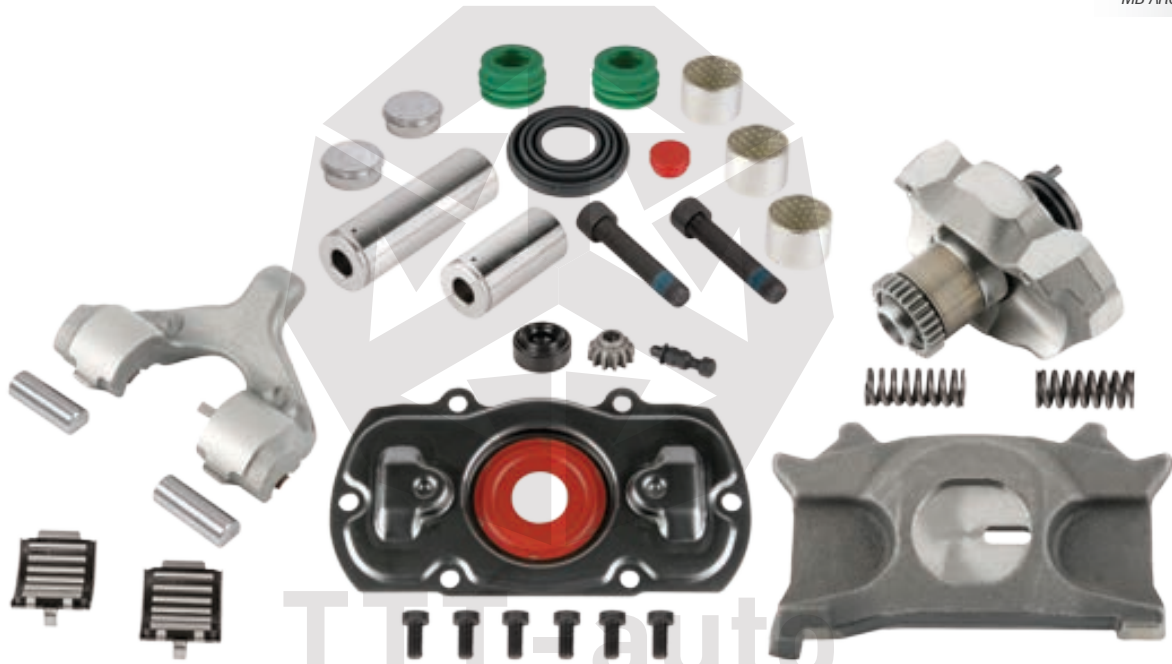
TTT - auto



18406 Caliper Complete Repair Kit - L

MAXX 22L

MB AROCS Front

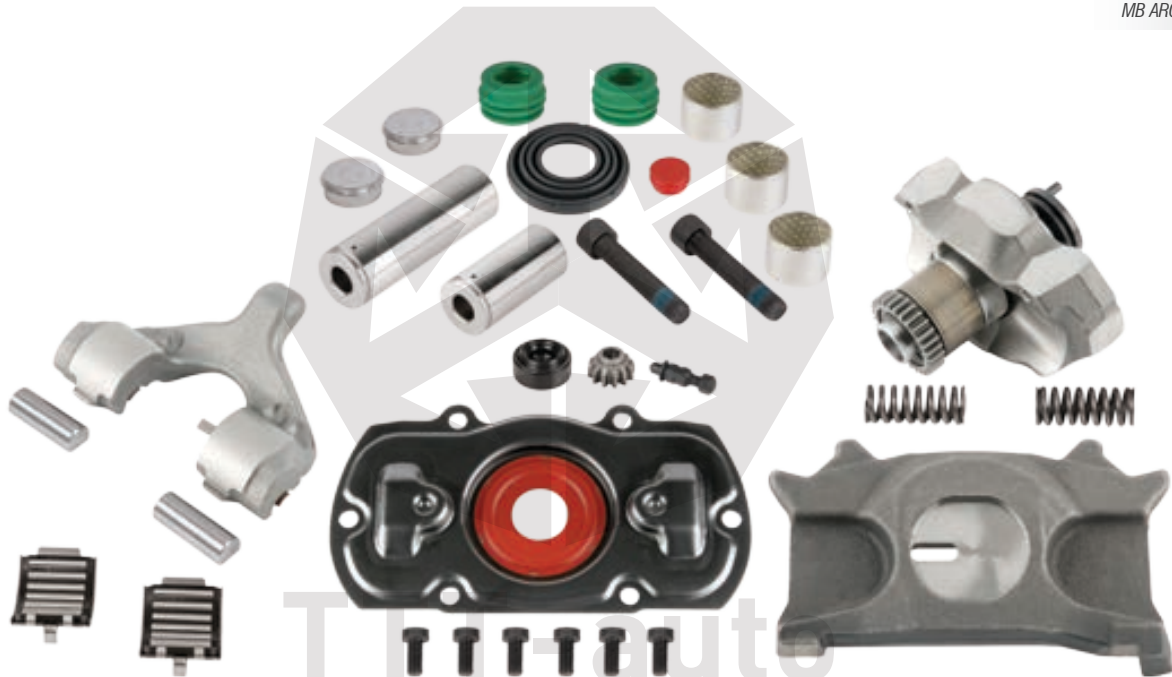


TTT No	Description	Pcs.		
18210	Caliper Boot & Pin Repair Kit	x 1	18311	Caliper Cover Set x 1
18393	Brake Lining Plate - L	x 1	18235	Manual Adjuster Repair Kit x 1
18310	Complete Mechanism Set	x 1	15707	Grease (White) - 5 g x 1
17140	Needle Bearing Set	x 1	15718	Grease (Green) - 8 g x 1
18290	Caliper Lever	x 1		

18407 Caliper Complete Repair Kit - R

MAXX 22L

MB AROCS Front

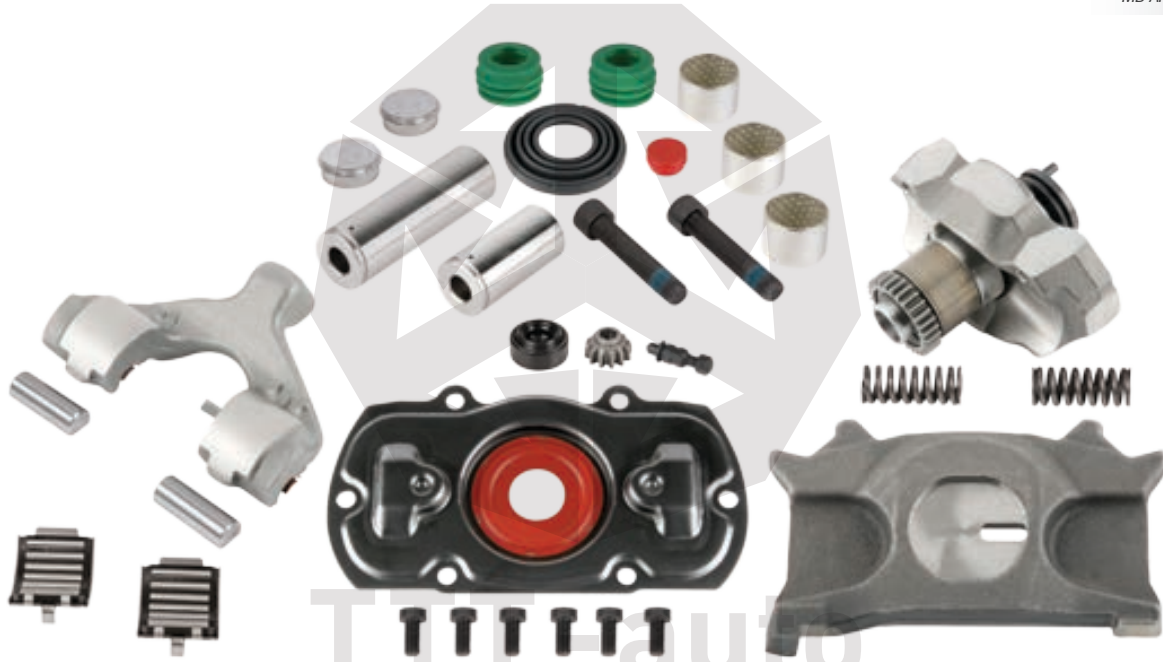


TTT No	Description	Pcs.		
18210	Caliper Boot & Pin Repair Kit	x 1	18311	Caliper Cover Set x 1
18394	Brake Lining Plate - R	x 1	18235	Manual Adjuster Repair Kit x 1
18310	Complete Mechanism Set	x 1	15707	Grease (White) - 5 g x 1
17140	Needle Bearing Set	x 1	15718	Grease (Green) - 8 g x 1
18290	Caliper Lever	x 1		

18583 Caliper Complete Repair Kit - L

MAXX 22L

MB AROCS Rear

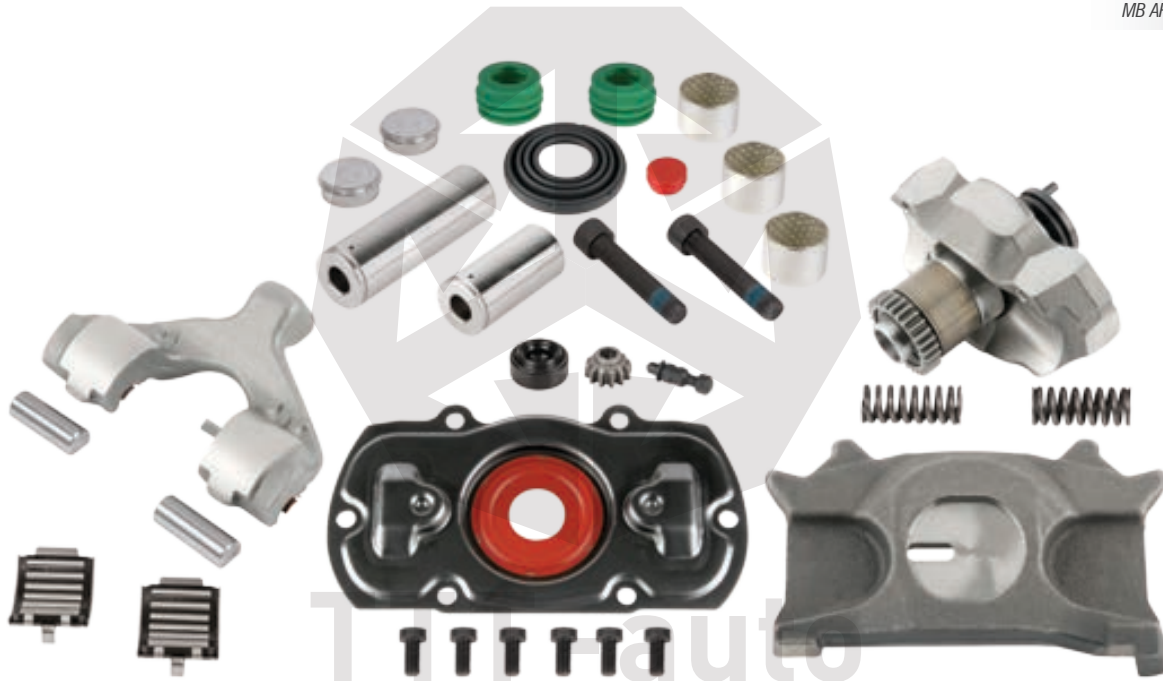


TTT No	Description	Pcs.		
18210	Caliper Boot & Pin Repair Kit	x 1	18311	Caliper Cover Set x 1
18393	Brake Lining Plate - L	x 1	18235	Manual Adjuster Repair Kit x 1
18310	Complete Mechanism Set	x 1	15707	Grease (White) - 5 g x 1
17140	Needle Bearing Set	x 1	15718	Grease (Green) - 8 g x 1
18300	Caliper Lever	x 1		

18584 Caliper Complete Repair Kit - R

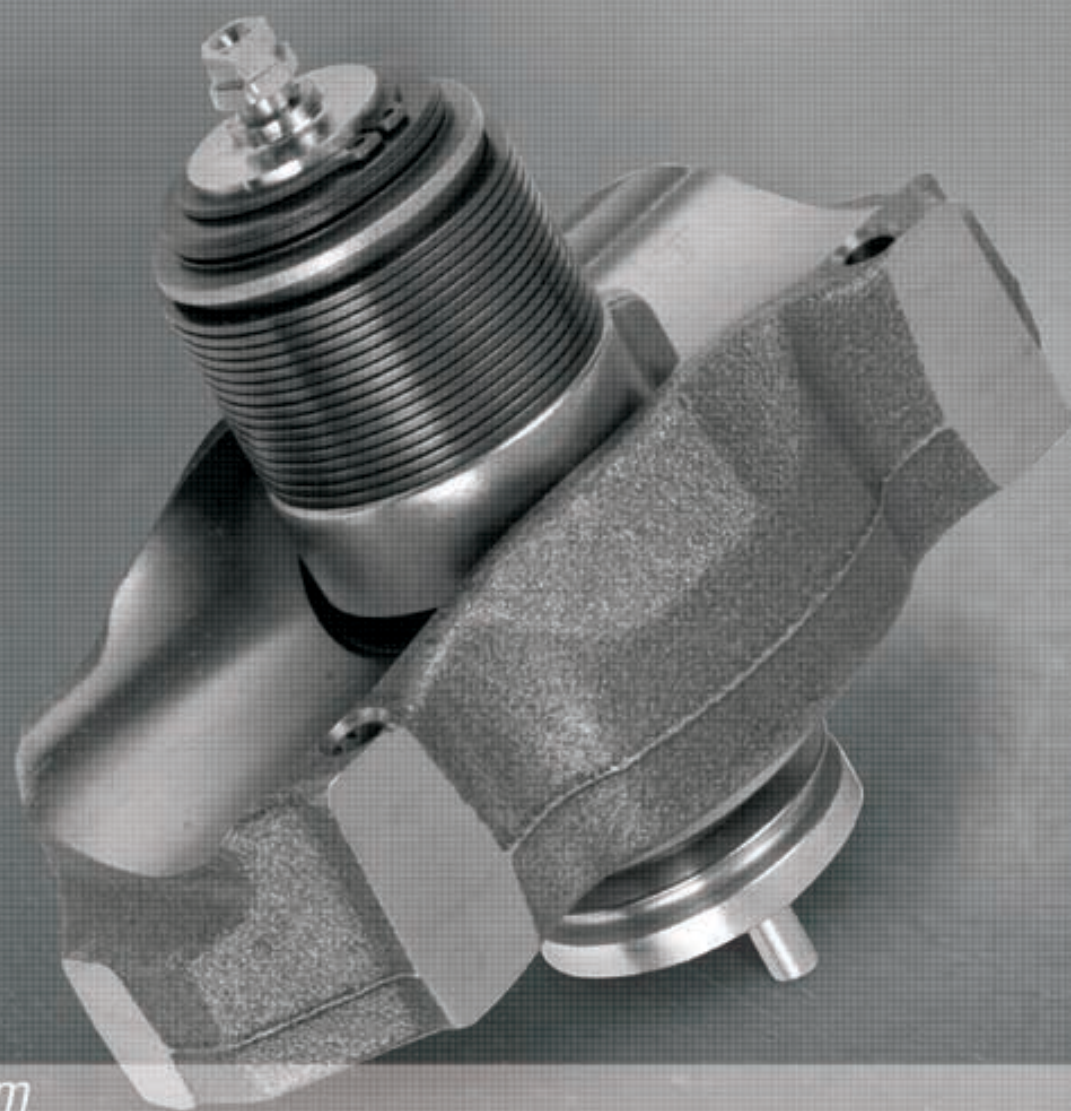
MAXX 22L

MB AROCS Rear



TTT No	Description	Pcs.		
18210	Caliper Boot & Pin Repair Kit	x 1	18311	Caliper Cover Set x 1
18394	Brake Lining Plate - R	x 1	18235	Manual Adjuster Repair Kit x 1
18310	Complete Mechanism Set	x 1	15707	Grease (White) - 5 g x 1
17140	Needle Bearing Set	x 1	15718	Grease (Green) - 8 g x 1
18300	Caliper Lever	x 1		

MAXX 22T

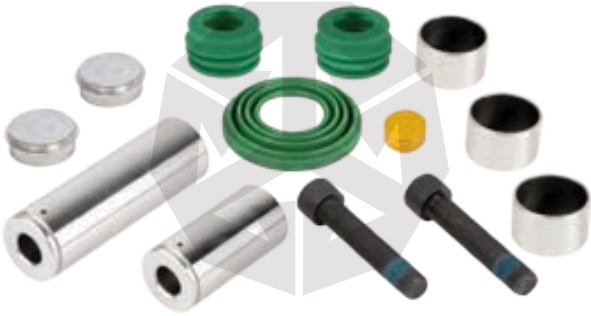


19520 Caliper Boot & Pin Repair Kit

640 222 920 2
640 222 928 2

MAXX 22T

SCHMITZ TRAILER
HENDRICKSON TRAILER



TTT - auto

TTT No	Description	Pcs.
19531	Caliper Pin - Ø 38 / 118 mm	x 1
19532	Caliper Pin - Ø 37.7 / 76 mm	x 1
19543	Pin Bolt - M16 x 1.5 / 80 mm	x 2
14635	Pin Bush - Ø 38 x 42 / 30 mm	x 3
14638	Pin Cap - Ø 42 / 17 mm	x 2
14636	Tappet Boot	x 1
19521	Pin Boot	x 2
14778	Caliper Head Cap	x 1
15707	Grease (White) - 5 g	x 2

19537 Caliper Boot & Pin Bush Repair Kit

MAXX 22T



TTT - auto

TTT No	Description	Pcs.
14635	Pin Bush - Ø 38 x 42 / 30 mm	x 3
14638	Pin Cap - Ø 42 / 17 mm	x 2
14636	Tappet Boot	x 1
19521	Pin Boot	x 2
14778	Caliper Head Cap	x 1
15707	Grease (White) - 5 g	x 2

17610 Caliper Tappet Boot & Cap

640 175 920 2

MAXX 22T



TTT - auto

TTT No	Description	Pcs.
14636	Tappet Boot	x 1
14777	Caliper Head Seal	x 1
14778	Caliper Head Cap	x 1

19541 Caliper Boot Set

MAXX 22T



TTT - auto

TTT No	Description	Pcs.
14636	Tappet Boot	x 1
19521	Pin Boot	x 2

15707 Grease (White) - For Brass Bush



15718 Grease (Green) - For Rubber Bush



19430 Caliper Calibration Bolt

MAXX 22T



19450 Caliper Adjusting Mechanism Set

MAXX 22T



17144 Adjusting Mechanism Washer Set

MAXX 22T



TTT No	Description	Pcs.
17144	Adjusting Mechanism Washer Set	x 1
19412	Mechanism Slot	x 1
19430	Calibration Bolt	x 1
17099	Torsion Spring Ring (Thick)	x 1
19439	Torsion Spring Ring (Thin)	x 1
17092	Torsion Spring	x 1
19448	Mechanism Triangle Washer	x 1

TTT No	Description	Pcs.
17093	Bevel Washer (Small)	x 3
17094	Bevel Washer (Big)	x 1
17095	Washer	x 1
17096	Clips (Small)	x 1
17097	Clips (Big)	x 1

19510 Caliper Shaft Housing

MAXX 22T



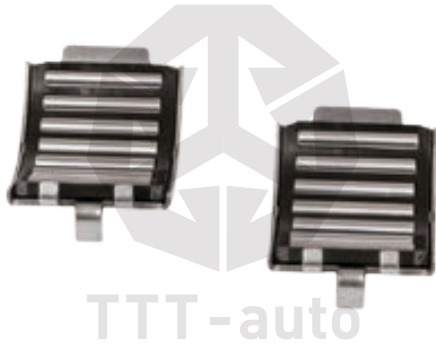
19550 Caliper Complete Mechanism Set

MAXX 22T



TTT No	Description	Pcs.
19450	Adjusting Mechanism Set	x 1
19510	Shaft Housing	x 1

17140 Needle Bearing Set MAXX 22T



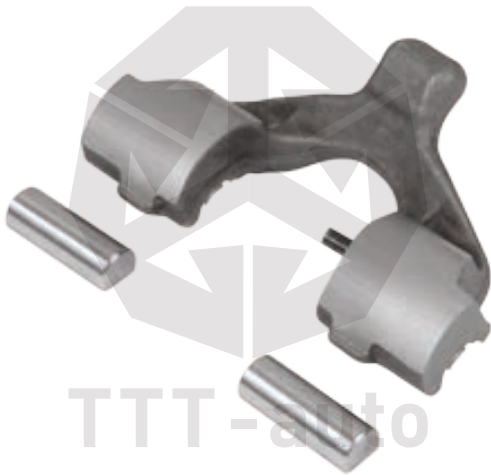
TTT No	Description	Pcs.
17116	Needle Bearing	x 2

17080 Caliper Bearing Set MAXX 22T



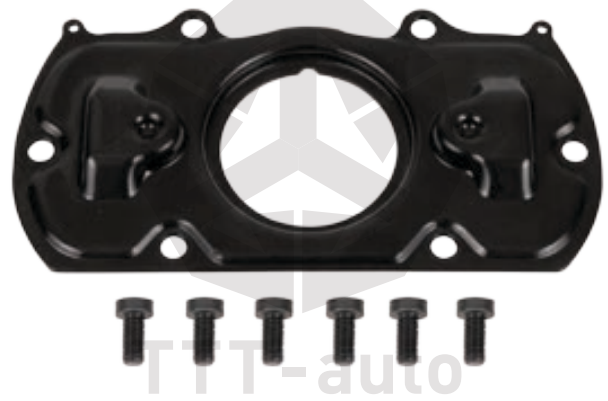
TTT No	Description	Pcs.
17116	Needle Bearing	x 2
17081	Lever Bearing	x 2
17082	Roller Bearing	x 2

19700 Caliper Lever MAXX 22T



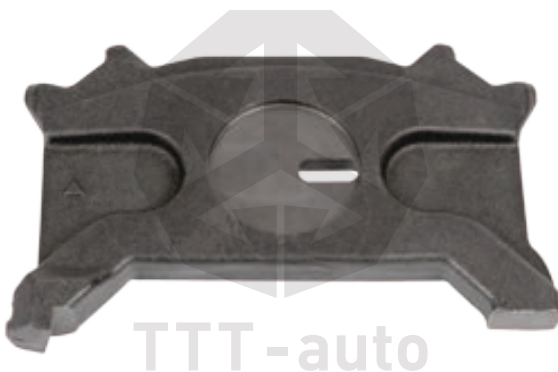
TTT No	Description	Pcs.
19662	Lever	x 1
17082	Roller Bearing	x 2

19545 Caliper Cover Set MAXX 22T

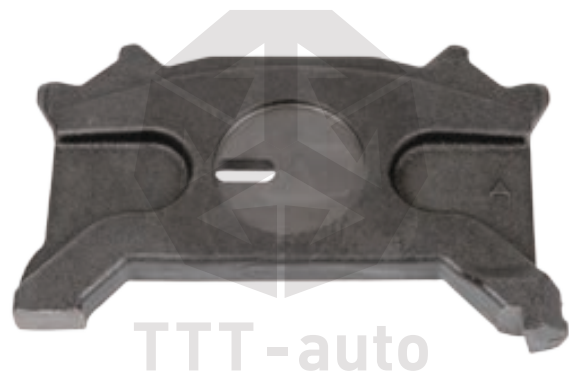


TTT No	Description	Pcs.
19544	Cover	x 1
14737	Bolt - M8 x 1.25 / 16 mm	x 6

15485 Brake Lining Plate (With Groove) - L MAXX 22T
640 225 926 2 - L



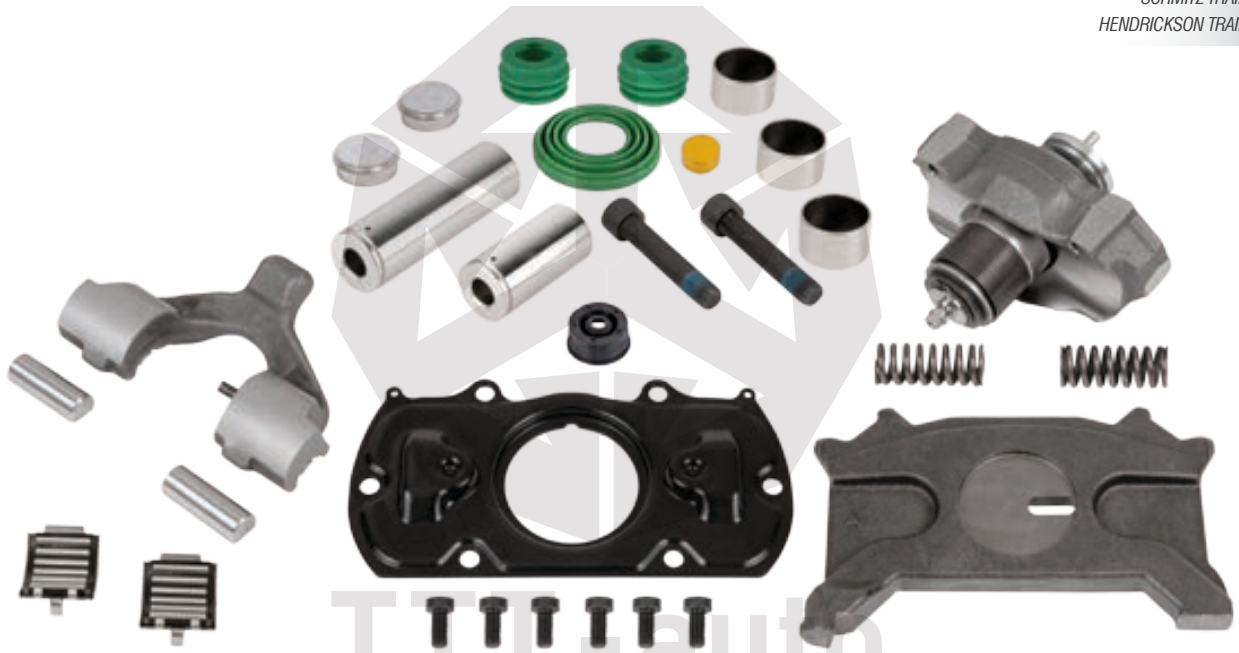
13485 Brake Lining Plate (With Groove) - R MAXX 22T
640 225 926 2 - R



19874 Caliper Complete Repair Kit - L

MAXX 22T

SCHMITZ TRAILER
HENDRICKSON TRAILER

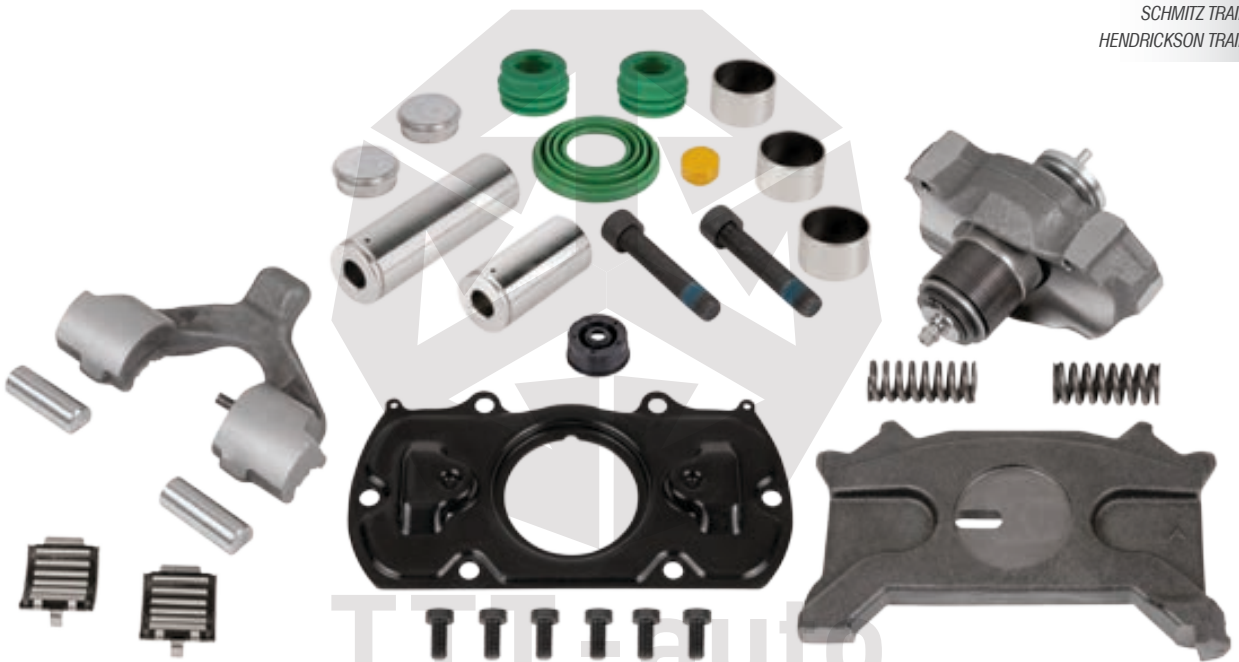


TTT No	Description	Pcs.		
19520	Caliper Boot & Pin Repair Kit	x 1	19545	Caliper Cover Set x 1
15485	Brake Lining Plate (With Groove) - L	x 1	14777	Caliper Head Seal x 1
19550	Complete Mechanism Set	x 1	15707	Grease (White) - 5 g x 1
17140	Needle Bearing Set	x 1	15718	Grease (Green) - 8 g x 1
19700	Caliper Lever	x 1		

19875 Caliper Complete Repair Kit - R

MAXX 22T

SCHMITZ TRAILER
HENDRICKSON TRAILER



TTT No	Description	Pcs.		
19520	Caliper Boot & Pin Repair Kit	x 1	19545	Caliper Cover Set x 1
13485	Brake Lining Plate (With Groove) - R	x 1	14777	Caliper Head Seal x 1
19550	Complete Mechanism Set	x 1	15707	Grease (White) - 5 g x 1
17140	Needle Bearing Set	x 1	15718	Grease (Green) - 8 g x 1
19700	Caliper Lever	x 1		

WABCO

MAXX 22T



17.5" / 1000 V-G
19.5" / 1300 V-G



16050 Caliper Pin Repair Kit 12 999 729VT

1000 V-G
PER AXLE

MAN L2000
NEOPLAN METROLINER



TTT No	Description	Pcs.
16051	Caliper Pin - Ø 24,6 / 81 mm	x 2
16052	Caliper Pin - Ø 25 / 81 mm	x 2
16053	Pin Bolt - M12 x 1.5 / 90 mm	x 4
16054	Pin Bush - Ø 25 x 28 / 15 mm	x 8
16055	Pin Cap - Ø 28 / 16 mm	x 4
16056	Piston Boot	x 2
16057	Pin Boot	x 4
16058	Seal	x 2
16059	O-ring	x 2
16060	Rubber Cap	x 2
16061	Bolt	x 2
16062	Spring	x 2
15707	Grease (White) - 5 g	x 2
15718	Grease (Green) - 8 g	x 1

17480 Caliper Pin Repair Kit 12 999 734VT

1300 V-G

MB UNIMOG U400 / U500



TTT No	Description	Pcs.
17481	Caliper Pin - Ø 35 / 110 mm	x 1
17482	Caliper Pin - Ø 34,8 / 85 mm	x 1
17483	Pin Bolt - M16 x 1.5 / 110 mm	x 2
17484	Pin Bush - Ø 35 x 39 / 20 mm	x 3
14638	Pin Cap - Ø 42 / 17 mm	x 2
17485	Pin Boot	x 2
15707	Grease (White) - 5 g	x 2

17536 Caliper Boot Repair Kit

1300 V-G



TTT No	Description	Pcs.
17491	Piston Boot	x 1
17485	Pin Boot	x 2

17490 Caliper Boot & Seal Repair Kit 12 999 733VT

1300 V-G



TTT No	Description	Pcs.
17491	Piston Boot	x 1
17485	Pin Boot	x 2
17492	Spline Shaft Cover	x 1
17493	Spline Shaft Seal	x 1
17494	Bevel Seal	x 1
17495	Plate Bolt	x 1
17496	Plate Spring	x 1
17489	Plug	x 1

17542 Caliper Seal & Bearing Set

1300 V-G



TTT No	Description	Pcs.
17492	Spline Shaft Cover	x 1
17493	Spline Shaft Seal	x 1
17494	Bevel Seal	x 1
17526	Washer	x 1
17527	Thrust Washer	x 2
17528	Thrust Bearing	x 1
17539	Clips	x 1

17516 Caliper Spline Shaft Mechanism Set - L 1300 V-G



TTT No	Description	Pcs.
17326	Spline Shaft Mechanism - L	x 1
17491	Piston Boot	x 1
17488	Cover Bolt - M12 x 1.5 / 50 mm	x 4
17492	Spline Shaft Cover	x 1
17493	Spline Shaft Seal	x 1
17494	Bevel Seal	x 1
17526	Washer	x 1
17527	Thrust Washer	x 2
17528	Thrust Bearing	x 1
17539	Clips	x 1
17489	Plug	x 1

17517 Caliper Spline Shaft Mechanism Set - R 1300 V-G



TTT No	Description	Pcs.
17327	Spline Shaft Mechanism - R	x 1
17491	Piston Boot	x 1
17488	Cover Bolt - M12 x 1.5 / 50 mm	x 4
17492	Spline Shaft Cover	x 1
17493	Spline Shaft Seal	x 1
17494	Bevel Seal	x 1
17526	Washer	x 1
17527	Thrust Washer	x 2
17528	Thrust Bearing	x 1
17539	Clips	x 1
17489	Plug	x 1

17503 Caliper Piston Repair Kit - L 1300 V-G



TTT No	Description	Pcs.
17426	Piston - L	x 1
17491	Piston Boot	x 1
17488	Cover Bolt - M12 x 1.5 / 50 mm	x 4
17495	Plate Bolt	x 1
17496	Plate Spring	x 1
17459	Socket Pin	x 1
17486	Socket Spring	x 1
17487	Socket Plug	x 1

17504 Caliper Piston Repair Kit - R 1300 V-G

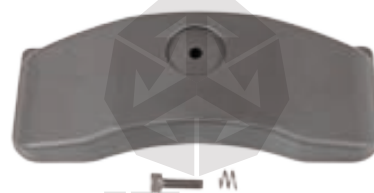


TTT No	Description	Pcs.
17427	Piston - R	x 1
17491	Piston Boot	x 1
17488	Cover Bolt - M12 x 1.5 / 50 mm	x 4
17495	Plate Bolt	x 1
17496	Plate Spring	x 1
17459	Socket Pin	x 1
17486	Socket Spring	x 1
17487	Socket Plug	x 1

17899 Caliper Lever 1300 V-G



17508 Caliper Brake Lining Plate Set 1300 V-G



TTT No	Description	Pcs.
17509	Brake Lining Plate	x 1
17495	Plate Bolt	x 1
17496	Plate Spring	x 1

17611 Caliper Complete Repair Kit - L

1300 V-G

MB UNIMOG U400 / U500



TTT No	Description	Pcs.			
17480	Caliper Pin Repair Kit	x 1	17459	Socket Pin	x 1
17516	Caliper Spline Shaft Mechanism Set - L	x 1	17486	Socket Spring	x 1
17426	Piston - L	x 1	17487	Socket Plug	x 1
17508	Brake Lining Plate Set	x 1			

17612 Caliper Complete Repair Kit - R

1300 V-G

MB UNIMOG U400 / U500



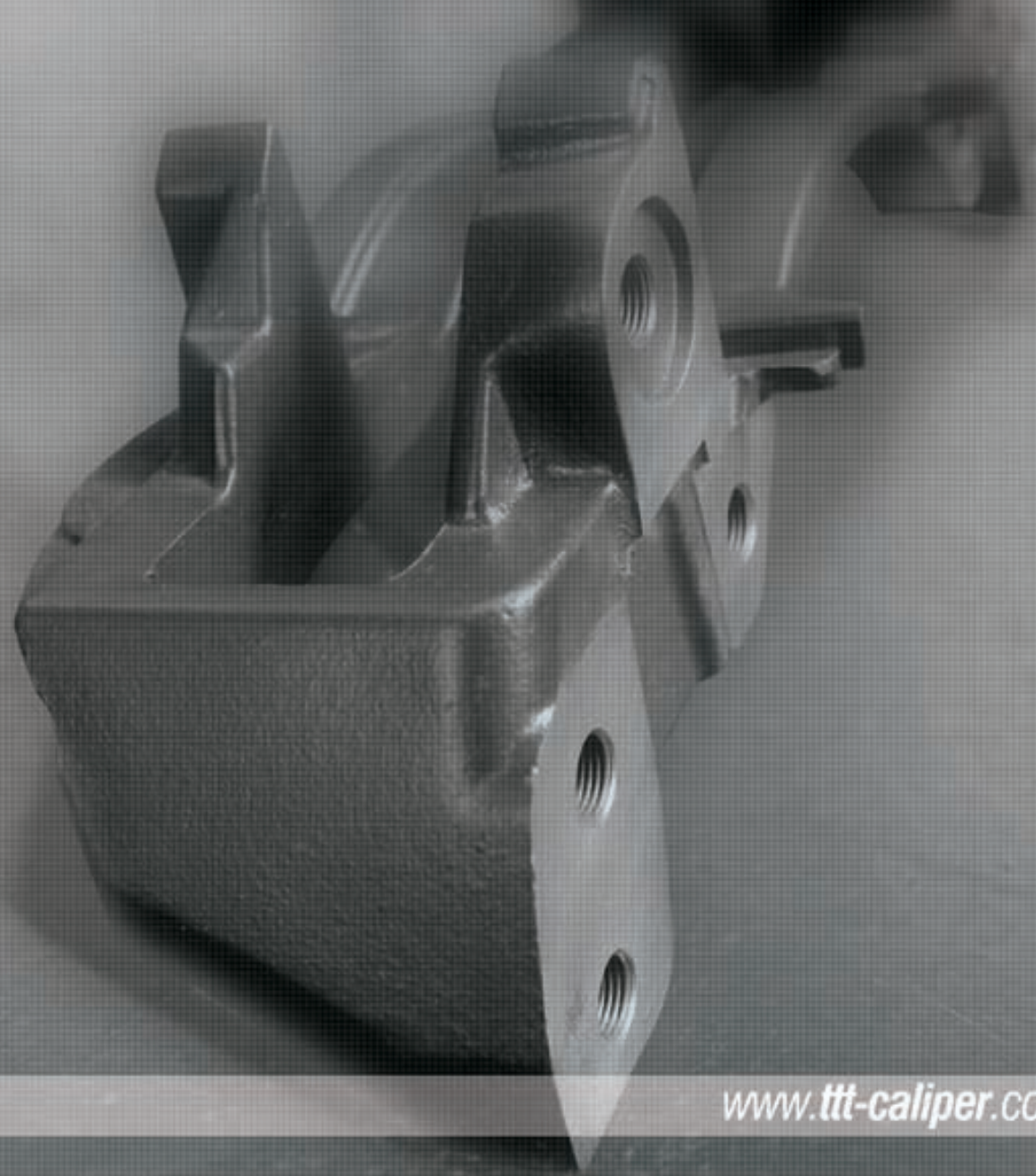
TTT No	Description	Pcs.			
17480	Caliper Pin Repair Kit	x 1	17459	Socket Pin	x 1
17517	Caliper Spline Shaft Mechanism Set - R	x 1	17486	Socket Spring	x 1
17427	Piston - R	x 1	17487	Socket Plug	x 1
17508	Brake Lining Plate Set	x 1			

WABCO

1300 V-G



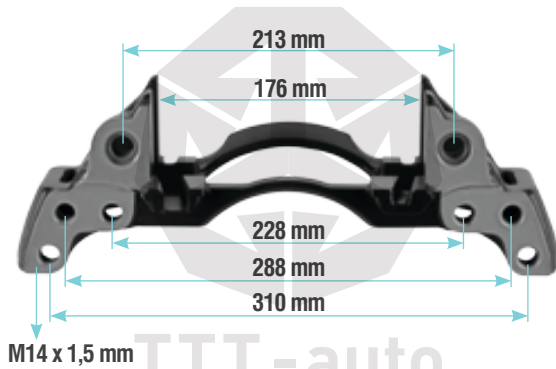
WABCO CARRIERS



20251 Caliper Carrier - 17.5" Left

PAN 17

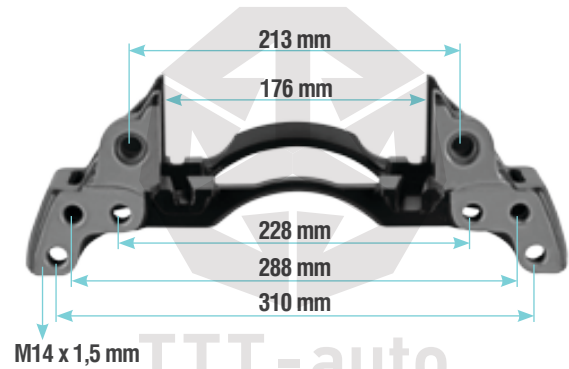
MAN 12.153



20252 Caliper Carrier - 17.5" Right

PAN 17

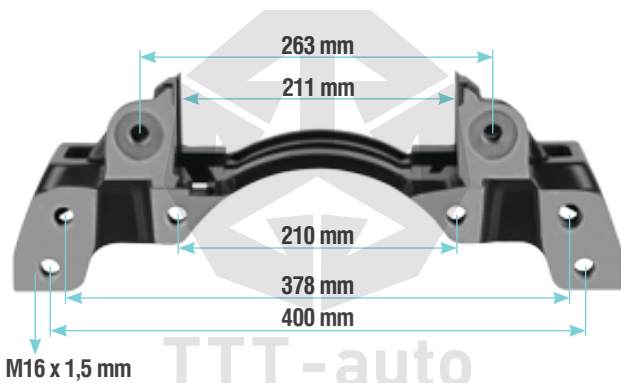
MAN 12.153



20255 Caliper Carrier - 19.5" Left - 6 Hole

PAN 19-1 PLUS

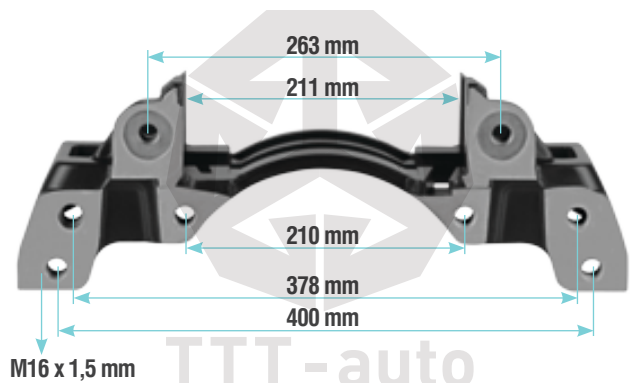
SAF Axle



20256 Caliper Carrier - 19.5" Right - 6 Hole

PAN 19-1 PLUS

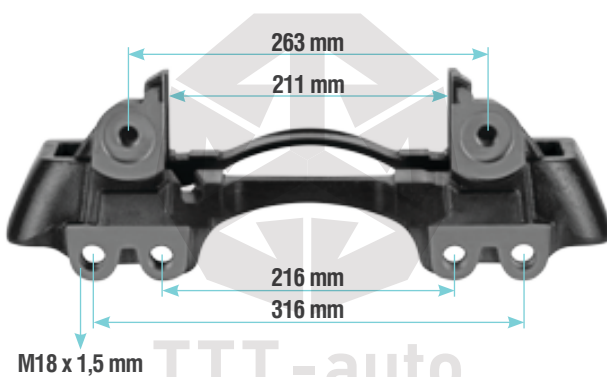
SAF Axle



20261 Caliper Carrier - 22.5" Left - 4 Hole

PAN 22-1

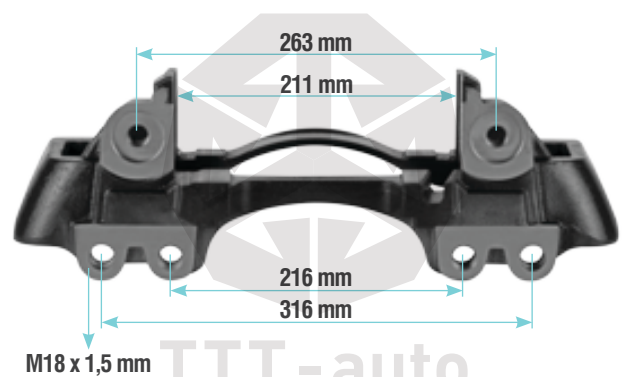
SAF Axle



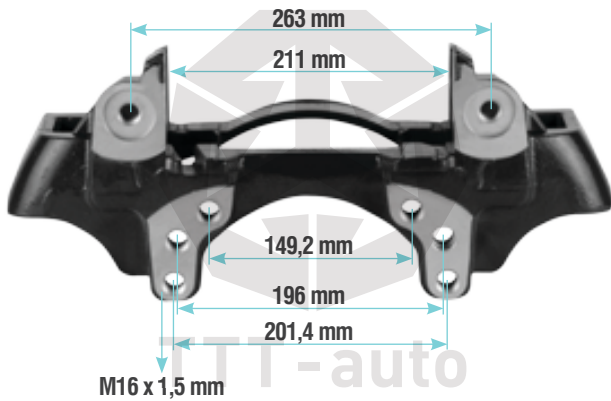
20262 Caliper Carrier - 22.5" Right - 4 Hole

PAN 22-1

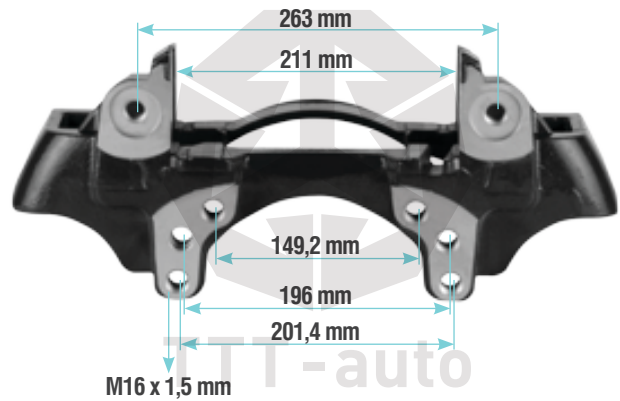
SAF Axle



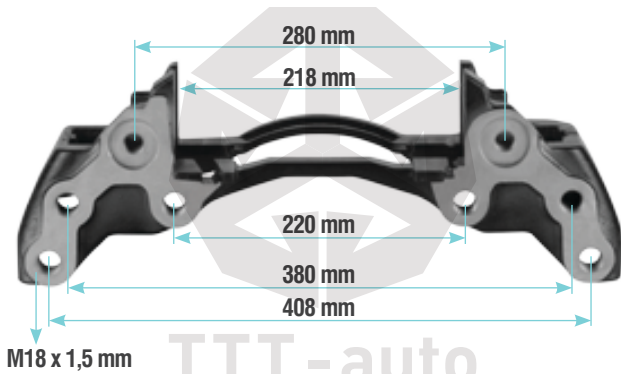
20263 Caliper Carrier - 22.5 " **PAN 22-1**
Left *SCHMITZ TRAILER*



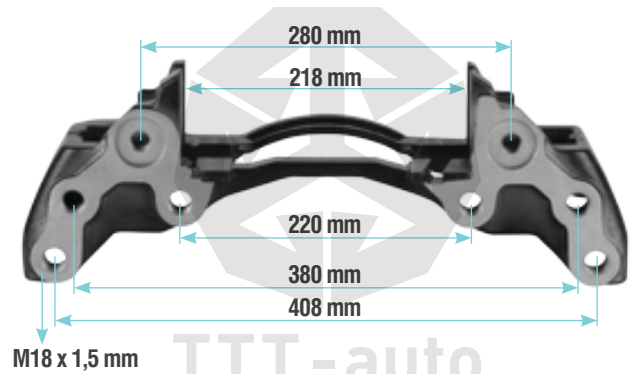
20264 Caliper Carrier - 22.5 " **PAN 22-1**
Right *SCHMITZ TRAILER*



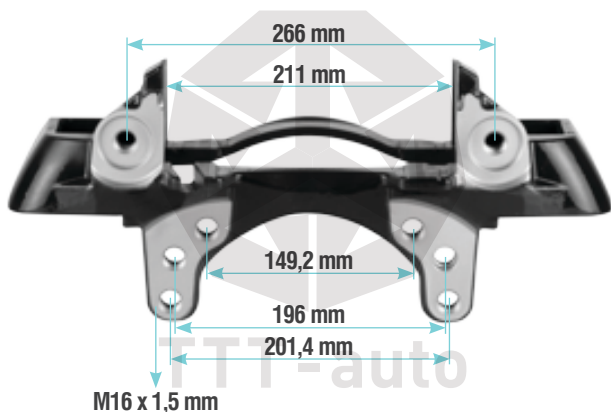
20265 Caliper Carrier - 22.5 " **MAXX 22**
Left *MAN TGX / TGS*



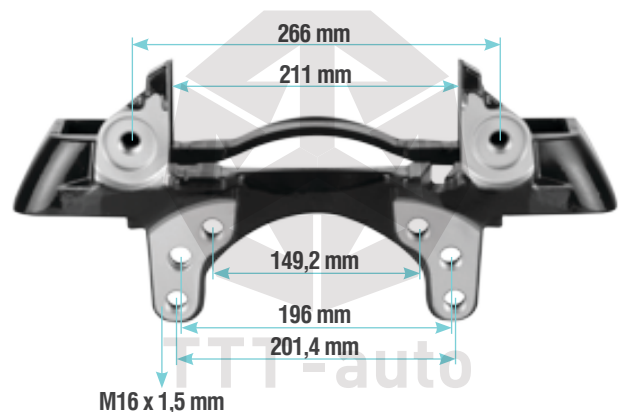
20266 Caliper Carrier - 22.5 " **MAXX 22**
Right *MAN TGX / TGS*



20267 Caliper Carrier - 22.5 " **MAXX 22T**
Left *SCHMITZ TRAILER*



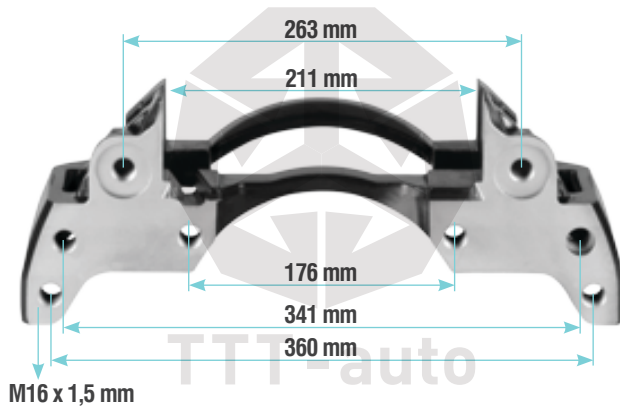
20268 Caliper Carrier - 22.5 " **MAXX 22T**
Right *SCHMITZ TRAILER*



20271 Caliper Carrier - 19.5 “
Left

PAN 19-1

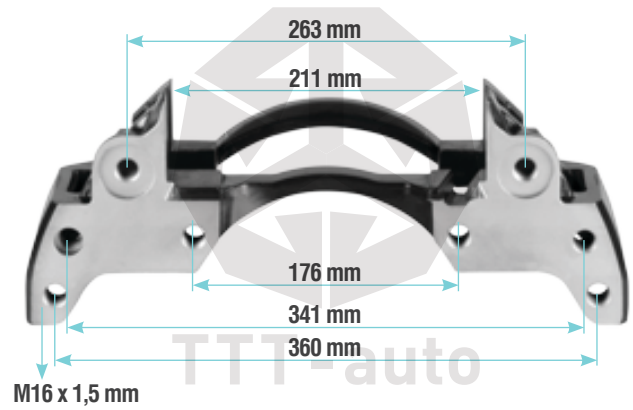
SAF Axle



20272 Caliper Carrier - 19.5 “
Right

PAN 19-1

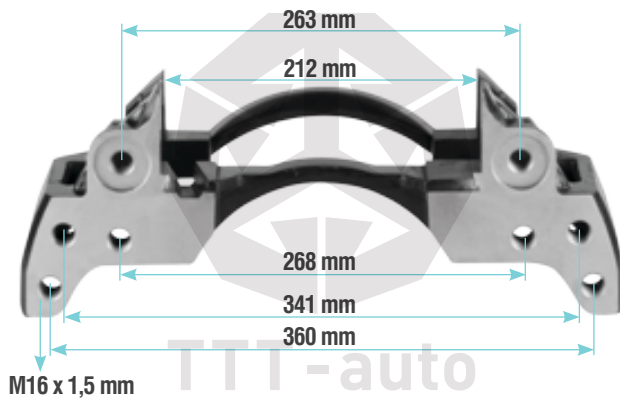
SAF Axle



20273 Caliper Carrier - 19.5 “
Left

PAN 19-1

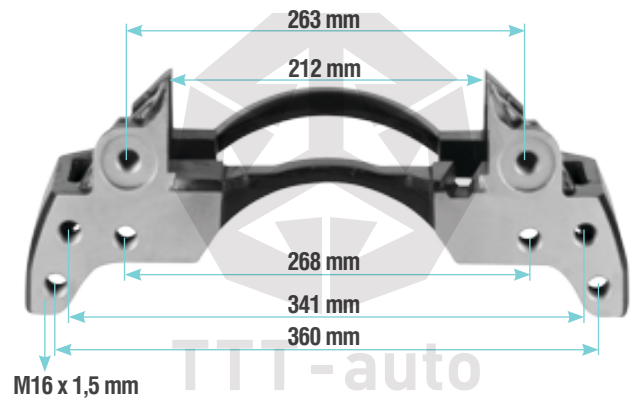
SAF Axle



20274 Caliper Carrier - 19.5 “
Right

PAN 19-1

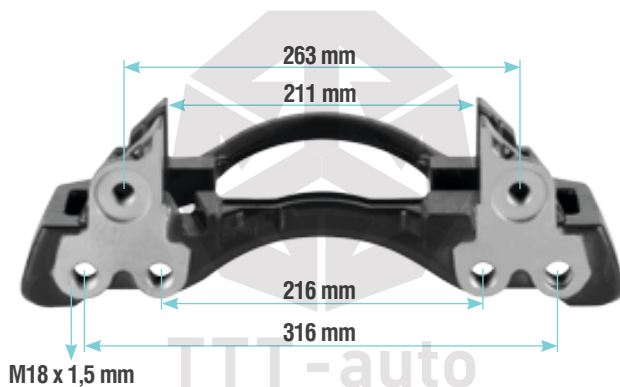
SAF Axle



20275 Caliper Carrier - 19.5 “
Left

PAN 19-1 PLUS

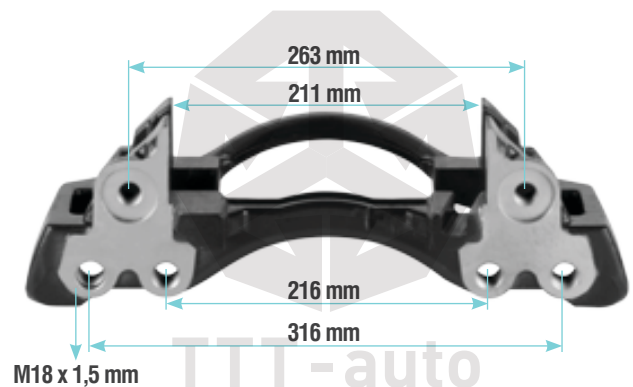
SAF Axle



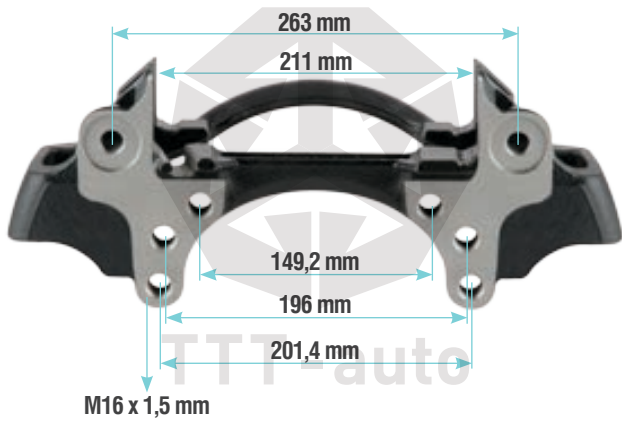
20276 Caliper Carrier - 19.5 “
Right

PAN 19-1 PLUS

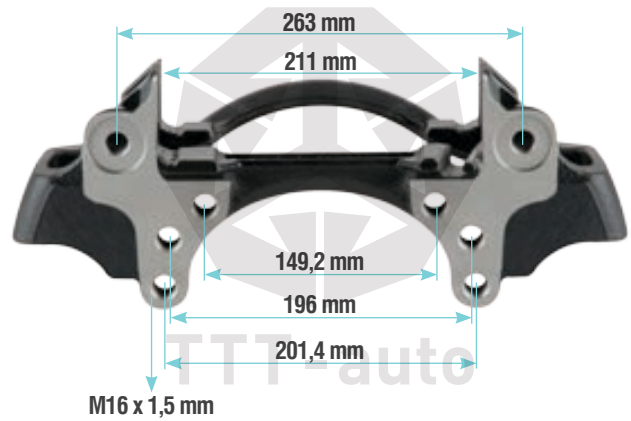
SAF Axle



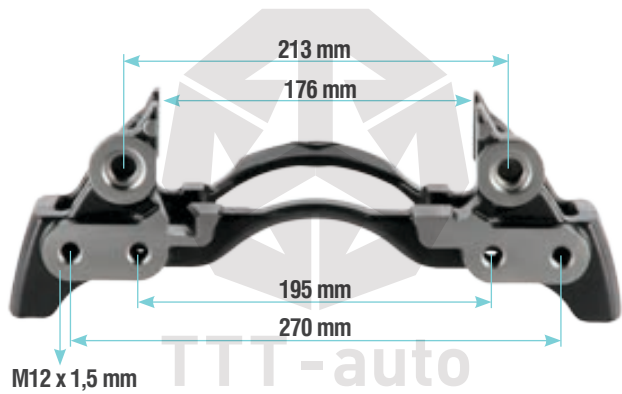
20277 Caliper Carrier - 19.5 " PAN 19-1 PLUS
Left SCHMITZ TRAILER



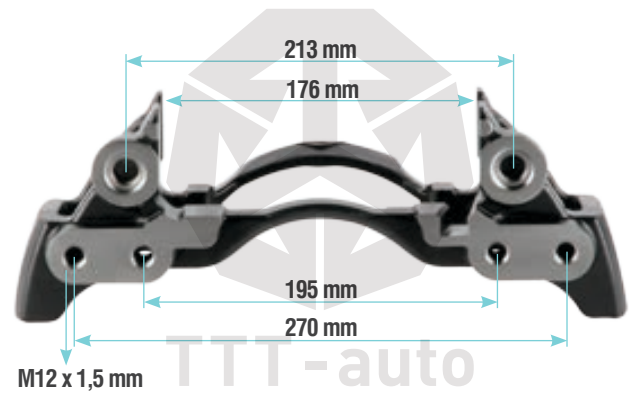
20278 Caliper Carrier - 19.5 " PAN 19-1 PLUS
Right SCHMITZ TRAILER



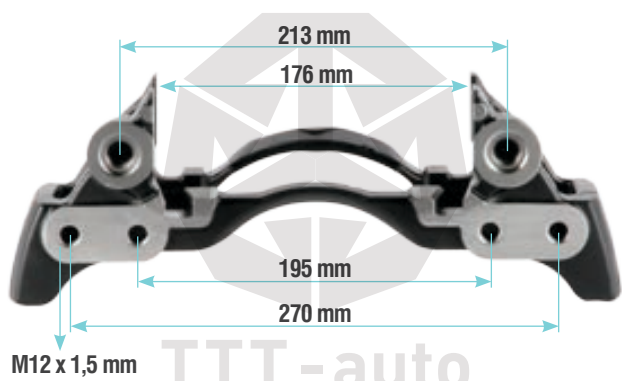
20401 Caliper Carrier - 17.5 " PAN 17
Left MERCEDES Front



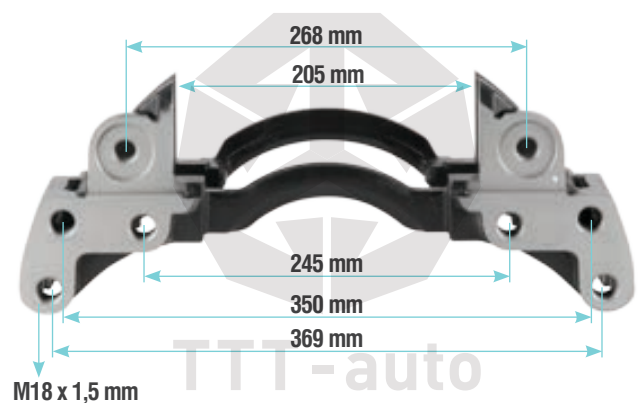
20402 Caliper Carrier - 17.5 " PAN 17
Right MERCEDES Front



20403 Caliper Carrier - 17.5 " PAN 17
Left & Right MERCEDES Rear

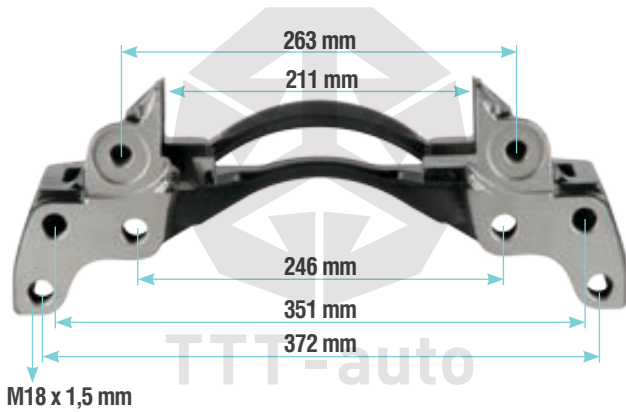


20410 Caliper Carrier - 19.5 " PAN 19-2
DAF LF-55
RENAULT MIDLUM M113



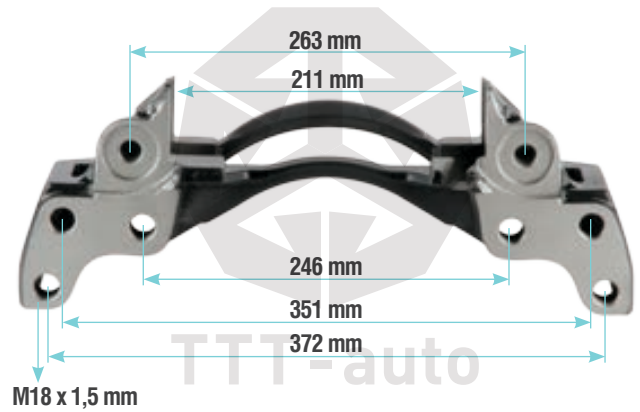
20411 Caliper Carrier - 19.5 " PAN 19-1 PLUS
Left

DAF LF 55



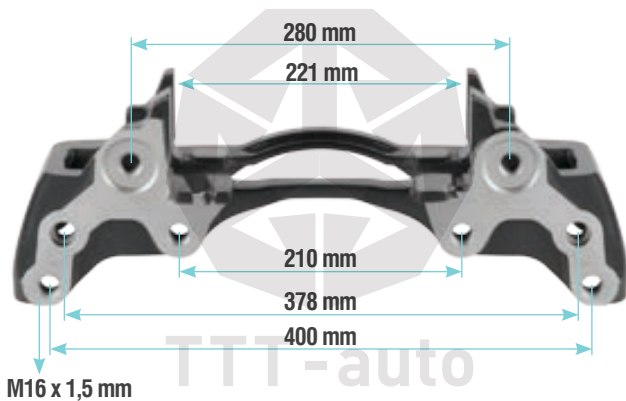
20412 Caliper Carrier - 19.5 " PAN 19-1 PLUS
Right

DAF LF 55



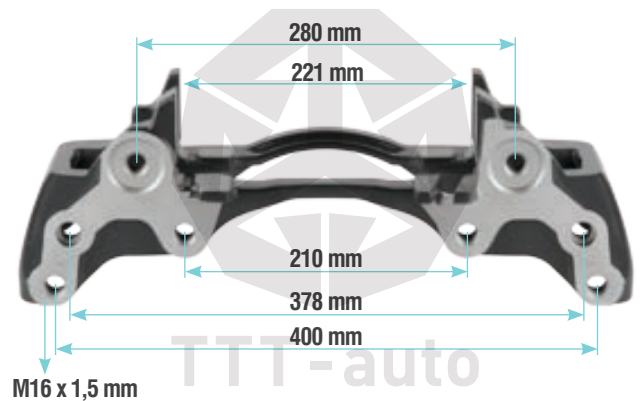
20421 Caliper Carrier - 22.5 " MAXX 22L
Left

MB AROCS Front



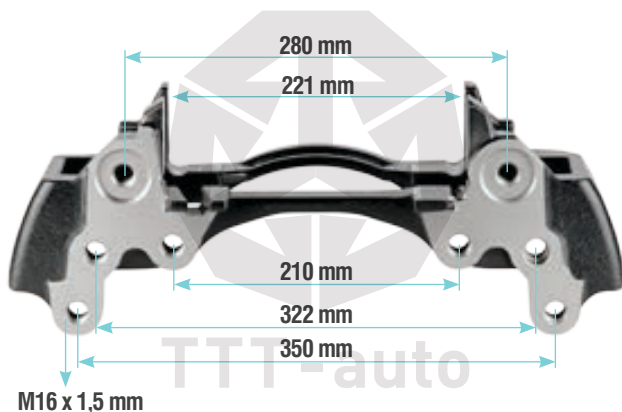
20422 Caliper Carrier - 22.5 " MAXX 22L
Right

MB AROCS Front



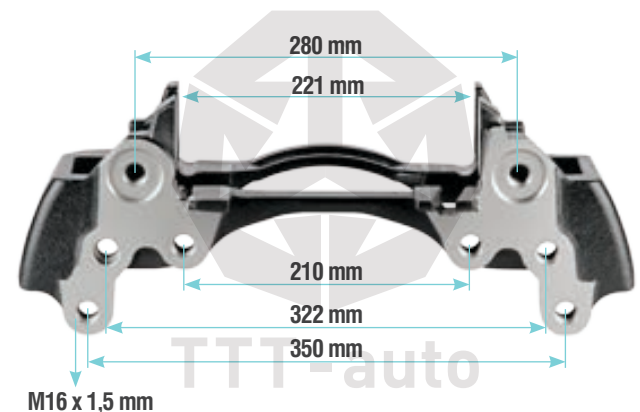
20423 Caliper Carrier - 22.5 " MAXX 22L
Left

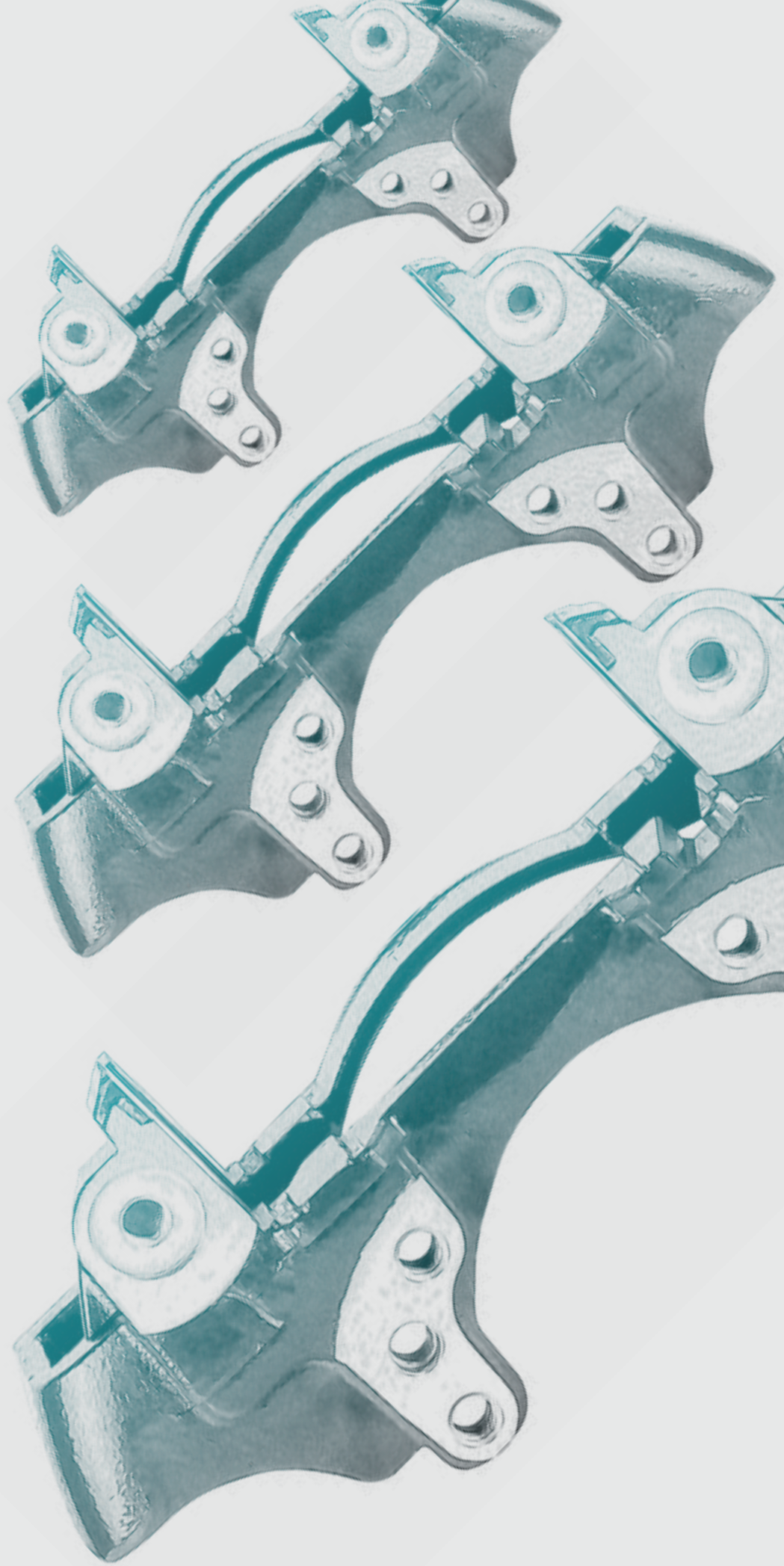
MB AROCS Rear



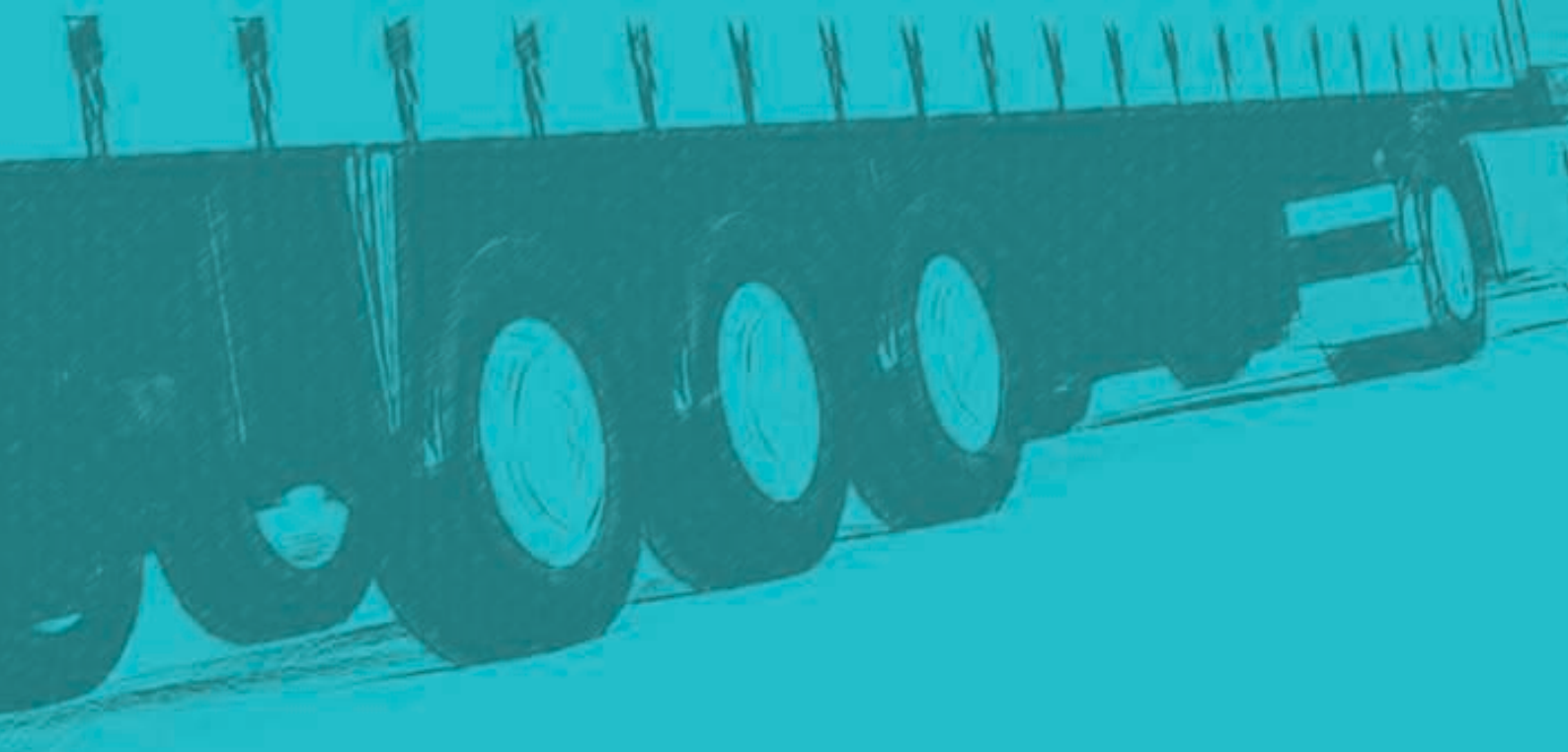
20424 Caliper Carrier - 22.5 " MAXX 22L
Right

MB AROCS Rear





www.ttt-caliper.com



for **haldex** caliper

18545 Caliper Pin Repair Kit 87406

MARK II
MARK III

SAF Axle
SMB Axle



TTT No	Description	Pcs.
18536	Caliper Pin - Ø 35 / 69 mm	x 4
18537	Pin Bolt - M14 x 2 / 60 mm	x 4
18515	Pin Boot	x 8
18697	Plastic Bush	x 4
18517	Ring	x 8
18609	Steel Cap	x 4
18506	Plug - (Mk III)	x 2
18507	O-ring - (Mk II)	x 2
18508	Plug - (Mk II)	x 2
18509	Bolt - (Mk II)	x 2
15707	Grease (White) - 5 g	x 2

18550 Caliper Pin Repair Kit 89541

MARK III
MARK IV

SAF Axle
SMB Axle



TTT No	Description	Pcs.
18551	Caliper Pin - Ø 35 / 70 mm	x 4
18552	Pin Bolt - M14 x 2 / 53 mm	x 4
18515	Pin Boot	x 8
18697	Plastic Bush	x 4
18517	Ring	x 8
18514	Steel Cap	x 4
18553	Pin Cap - Ø 57 / 40 mm - (Mk IV)	x 2
18506	Plug - (Mk III)	x 2
15707	Grease (White) - 5 g	x 2

18691 Caliper Pin Bolt Repair Kit 94661

MARK II
MARK III
MARK IV

SAF Axle
SMB Axle



TTT No	Description	Pcs.
18515	Pin Boot	x 8
18517	Ring	x 8
18697	Plastic Bush	x 4
18609	Steel Cap	x 4
18537	Pin Bolt - M14 x 2 / 60 mm	x 4
18552	Pin Bolt - M14 x 2 / 53 mm	x 4
18553	Pin Cap - Ø 57 / 40 mm - (Mk IV)	x 2
18506	Plug - (Mk III)	x 2
18507	O-ring - (Mk II)	x 2
18508	Plug - (Mk II)	x 2
18509	Bolt - (Mk II)	x 2

18560 Caliper Pin Repair Kit

MARK III
MARK IV



TTT No	Description	Pcs.
18551	Caliper Pin - Ø 35 / 70 mm	x 4
18552	Pin Bolt - M14 x 2 / 53 mm	x 4
18515	Pin Boot	x 8
18697	Plastic Bush	x 4
18517	Ring	x 8
18506	Plug - (Mk III)	x 2
15707	Grease (White) - 5 g	x 2

18540 Caliper Boot Set

MARK III
MARK IV



TTT No	Description	Pcs.
18515	Pin Boot	x 8
18697	Plastic Bush	x 4
18517	Ring	x 8
18553	Pin Cap - Ø 57 / 40 mm - (Mk IV)	x 2
18506	Plug - (Mk III)	x 2

18611 Caliper Pin Boot & Plug Set 89723

MARK II
MARK III
MARK IV



TTT No	Description	Pcs.
18515	Pin Boot	x 2
18697	Plastic Bush	x 1
18517	Ring	x 2
18609	Steel Cap	x 4
18553	Pin Cap - Ø 57 / 40 mm - (Mk IV)	x 2
18506	Plug - (Mk III)	x 2
18507	O-ring - (Mk II)	x 2
18508	Plug - (Mk II)	x 2
18509	Bolt - (Mk II)	x 2

18555 Caliper Cap Set 89927

MARK IV



TTT No	Description	Pcs.
18553	Pin Cap - Ø 57 / 40 mm - (Mk IV)	x 2

18615 Caliper Pin Boot & Plug Set 87680

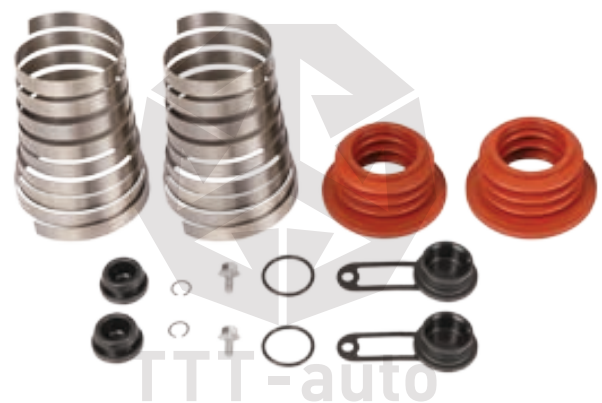
MARK II
MARK III
MARK IV



TTT No	Description	Pcs.
18515	Pin Boot	x 8
18697	Plastic Bush	x 4
18517	Ring	x 8
18609	Steel Cap	x 4
18553	Pin Cap - Ø 57 / 40 mm - (Mk IV)	x 2
18506	Plug - (Mk III)	x 2
18507	O-ring - (Mk II)	x 2
18508	Plug - (Mk II)	x 2
18509	Bolt - (Mk II)	x 2

18530 Caliper Boot & Plug Set 87405

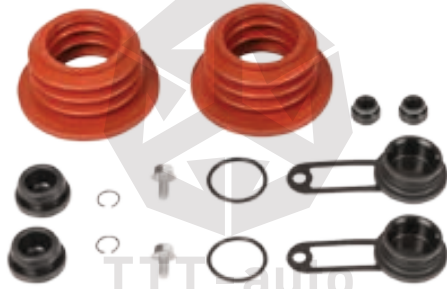
MARK II
MARK III



TTT No	Description	Pcs.
18676	Tappet Boot - 78.5 mm	x 2
18677	Spring - 78.5 mm	x 2
18503	Clips	x 2
18506	Plug - (Mk III)	x 2
18507	O-ring - (Mk II)	x 2
18508	Plug - (Mk II)	x 2
18509	Bolt - (Mk II)	x 2

18612 Caliper Boot & Plug Set 94663

MARK II
MARK III



TTT No	Description	Pcs.
18676	Tappet Boot - 78.5 mm	x 2
18503	Clips	x 2
18524	Seal	x 2
18506	Plug - (Mk III)	x 2
18507	O-ring - (Mk II)	x 2
18508	Plug - (Mk II)	x 2
18509	Bolt - (Mk II)	x 2

18538 Caliper Plug Set 87408

MARK II
MARK III



TTT No	Description	Pcs.
18506	Plug - (Mk III)	x 2
18507	O-ring - (Mk II)	x 2
18508	Plug - (Mk II)	x 2
18509	Bolt - (Mk II)	x 2

18543 Caliper Plug Set 89925

MARK III



TTT No	Description	Pcs.
18506	Plug - (Mk III)	x 2
18524	Seal	x 2

18525 Caliper Adjuster Shaft Set 90693

MARK IV



TTT No	Description	Pcs.
18523	Adjuster Shaft	x 2
18524	Seal	x 2
18506	Plug - (Mk III)	x 2

18738 Caliper Boot Set 94662

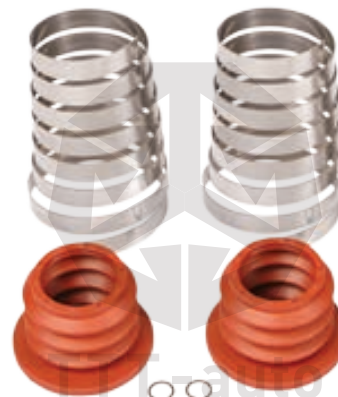
MARK IV



TTT No	Description	Pcs.
18501	Tappet Boot - 67 mm	x 2
18749	Tappet Bush	x 2
18503	Clips	x 2
18506	Plug - (Mk III)	x 1

18500 Caliper Boot Set 89794

MARK IV



TTT No	Description	Pcs.
18501	Tappet Boot - 67 mm	x 2
18502	Spring - 67 mm	x 2
18503	Clips	x 2

16989 Caliper Spring Set 94665

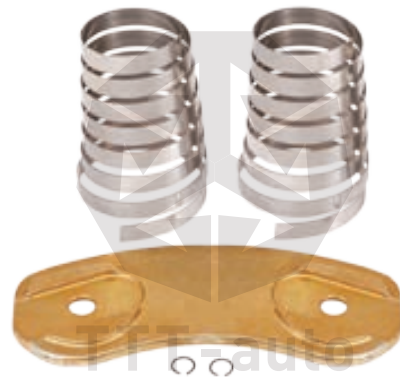
MARK IV



TTT No	Description	Pcs.
18502	Spring - 67 mm	x 2
18503	Clips	x 2

16997 Caliper Spring & Plate Set 92731

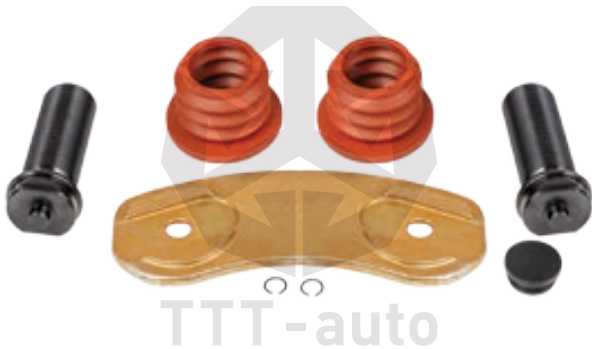
MARK IV



TTT No	Description	Pcs.
18502	Spring - 67 mm	x 2
15064	Caliper Tappet Plate	x 1

16988 Caliper Tappet Plate & Bolt Set 94664

MARK IV



TTT No	Description	Pcs.
18501	Tappet Boot - 67 mm	x 2
15064	Caliper Tappet Plate	x 1
15065	Caliper Calibration Bolt	x 2
18506	Plug - (Mk III)	x 1

18471 Caliper Pad Retainer Kit 90673

MARK III
MARK IV



TTT No	Description	Pcs.
18472	Caliper Pad Retainer	x 1
18473	Bolt - M10 x 1,5 / 25 mm	x 1

18679 Caliper Pad Spring Kit 89924

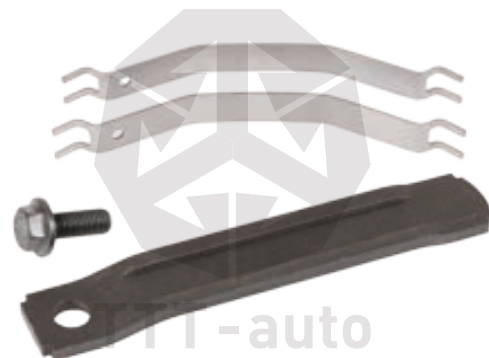
MARK II
MARK III
MARK IV



TTT No	Description	Pcs.
18546	Caliper Pad Spring	x 2

18692 Caliper Pad Retainer Kit 91216

MARK III
MARK IV



TTT No	Description	Pcs.
18471	Caliper Pad Retainer Kit	x 1
18679	Caliper Pad Spring Kit	x 1

18718 Caliper Pad Retainer Kit 94659

MARK III
MARK IV



TTT No	Description	Pcs.
18471	Caliper Pad Retainer Kit	x 2
18679	Caliper Pad Spring Kit	x 2
18506	Plug - (Mk III)	x 2

18990 Caliper Tappet & Calibration Bolt Set

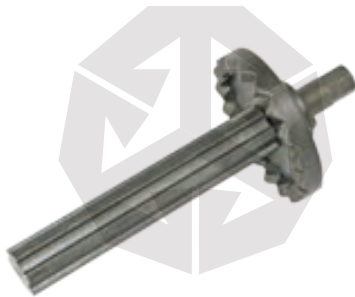
MARK III



TTT No	Description	Pcs.
18991	Tappet & Calibration Bolt - L	x 1
18992	Tappet & Calibration Bolt - R	x 1

18984 Caliper Calibration Gear - L

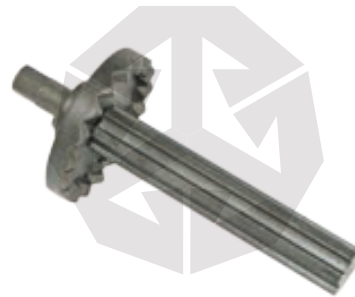
MARK III



TTT - auto

18985 Caliper Calibration Gear - R

MARK III



TTT - auto

18970 Caliper Adjusting Mechanism

MARK III



TTT - auto

18733 Caliper Shaft Housing Set

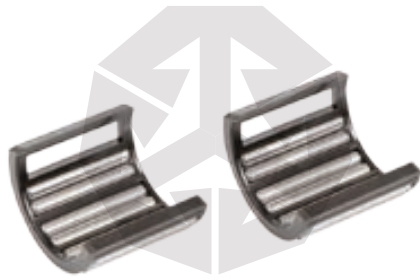
MARK III



TTT No	Description	Pcs.
18734	Caliper Shaft Housing	x 1
18445	Caliper Spring	x 1
18736	Caliper Ring	x 2
18737	Caliper Washer	x 2

18757 Needle Bearing Set

MARK III

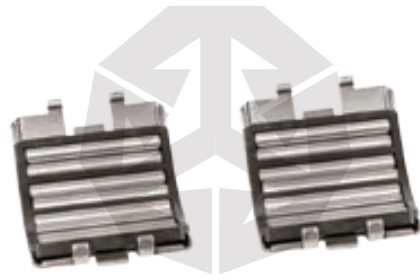


TTT - auto

TTT No	Description	Pcs.
18758	Needle Bearing	x 2

18765 Needle Bearing Set

MARK III



TTT - auto

TTT No	Description	Pcs.
18766	Needle Bearing	x 2

18950 Caliper Lever

MARK III



TTT - auto

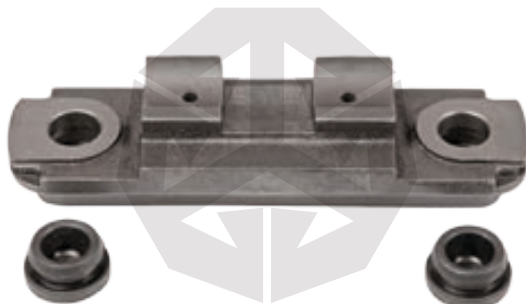
18725 Caliper Mechanism Cap

MARK III



18995 Caliper Mechanism Locker Plate Set

MARK III

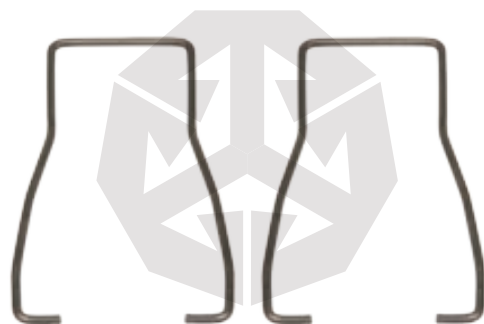


TTT - auto

TTT No	Description	Pcs.
18996	Mechanism Locker Plate	x 1
18506	Plug - (Mk III)	x 2

18727 Caliper Mechanism Clamp

MARK III



TTT - auto

18960 Caliper Complete Mechanism Set

MARK III

SAF Axle
SMB Axle

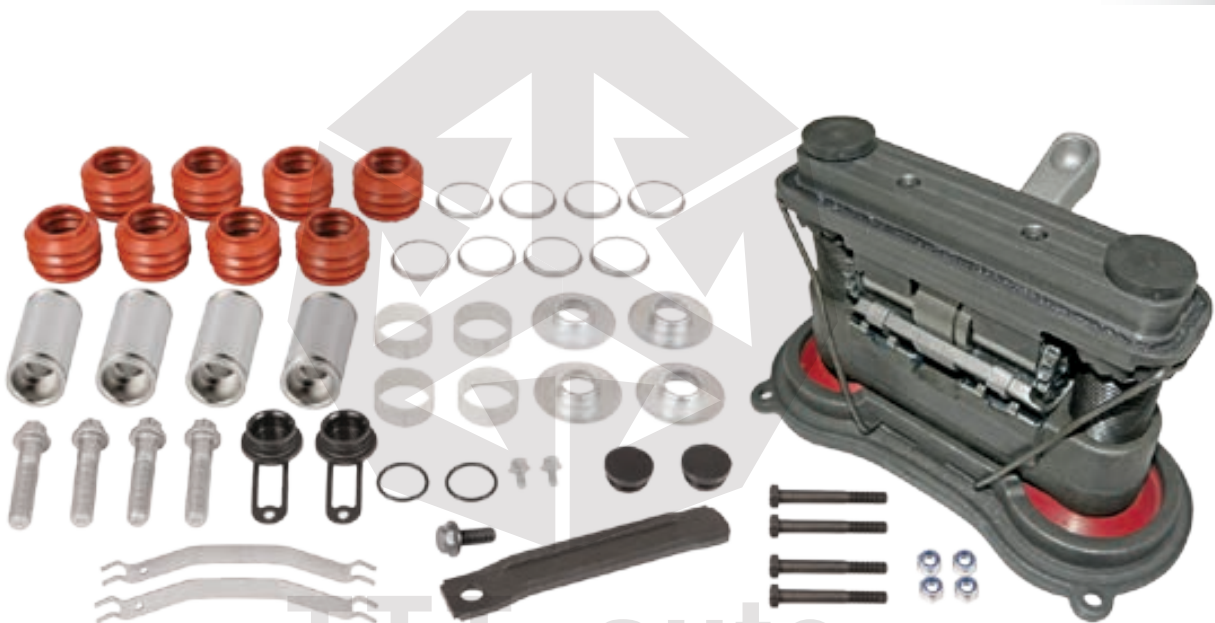


TTT No	Description	Pcs.			
18676	Tappet Boot - 78.5 mm	x 2	18985	Caliper Calibration Gear - R	x 1
18677	Spring - 78.5 mm	x 2	18733	Caliper Shaft Housing Set	x 1
18990	Caliper Tappet & Calibration Bolt Set	x 1	18757	Needle Bearing Set	x 1
18725	Caliper Mechanism Cap	x 1	18950	Caliper Lever	x 1
18727	Caliper Mechanism Clamp	x 1	18765	Needle Bearing Set	x 1
18970	Caliper Adjusting Mechanism	x 1	18995	Caliper Mechanism Locker Plate Set	x 1
18984	Caliper Calibration Gear - L	x 1			

18400 Caliper Complete Repair Kit

MARK III

SAF Axle
SMB Axle



TTT No	Description	Pcs.
18545	Caliper Pin Repair Kit	x 1
18960	Caliper Complete Mechanism Set	x 1
18692	Caliper Pad Retainer Kit	x 1

HALDEX
MARK



15999 Caliper Calibration Bolt
(Without Flange)

MARK IV



TTT - auto

15065 Caliper Calibration Bolt

MARK IV



TTT - auto

15064 Caliper Tappet Plate

MARK IV



TTT - auto

15063 Caliper Tappet Plate
& Bolt Set

MARK IV



TTT - auto

TTT No	Description	Pcs.
15064	Caliper Tappet Plate	x 1
15065	Caliper Calibration Bolt	x 2

15930 Caliper Adjusting
Mechanism

MARK IV



TTT - auto

18602 Caliper Intermediate Gear

MARK IV



TTT - auto

15931 Caliper Adjusting
Mechanism Gear

MARK IV



TTT - auto

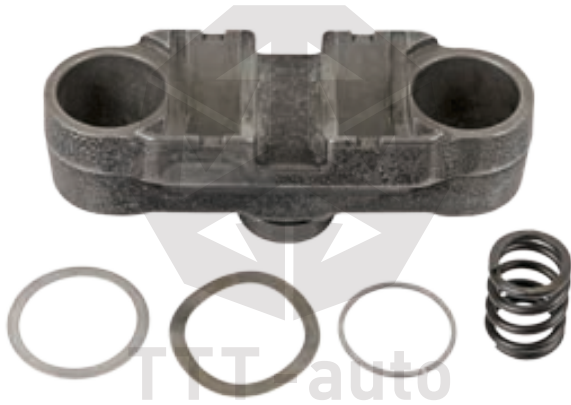
15932 Caliper Adjusting
Mechanism Gear

MARK IV



TTT - auto

18556 Caliper Shaft Housing Set MARK IV



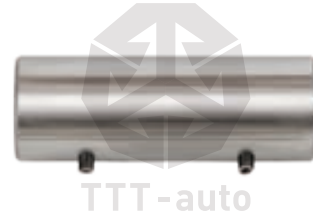
TTT No	Description	Pcs.
18488	Caliper Shaft Housing	x 1
18445	Caliper Spring	x 1
18446	Caliper Ring	x 1
18447	Caliper Wavy Washer	x 1
18448	Caliper Washer	x 1

15056 Needle Bearing Set MARK IV



TTT No	Description	Pcs.
15466	Needle Bearing	x 2

15781 Caliper Lever Pin MARK IV



15790 Caliper Lever MARK IV



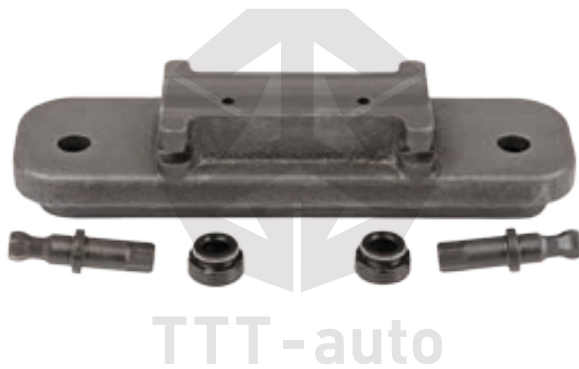
15055 Needle Bearing MARK IV



15759 Caliper Mechanism Cap MARK IV



18694 Caliper Mechanism Locker Plate Set MARK IV



TTT No	Description	Pcs.
18532	Mechanism Locker Plate	x 1
18523	Adjuster Shaft	x 2
18524	Seal	x 2

15849 Caliper Mechanism Clamp MARK IV



16910 Caliper Complete Mechanism Set

MARK IV

SAF Axle
SMB Axle

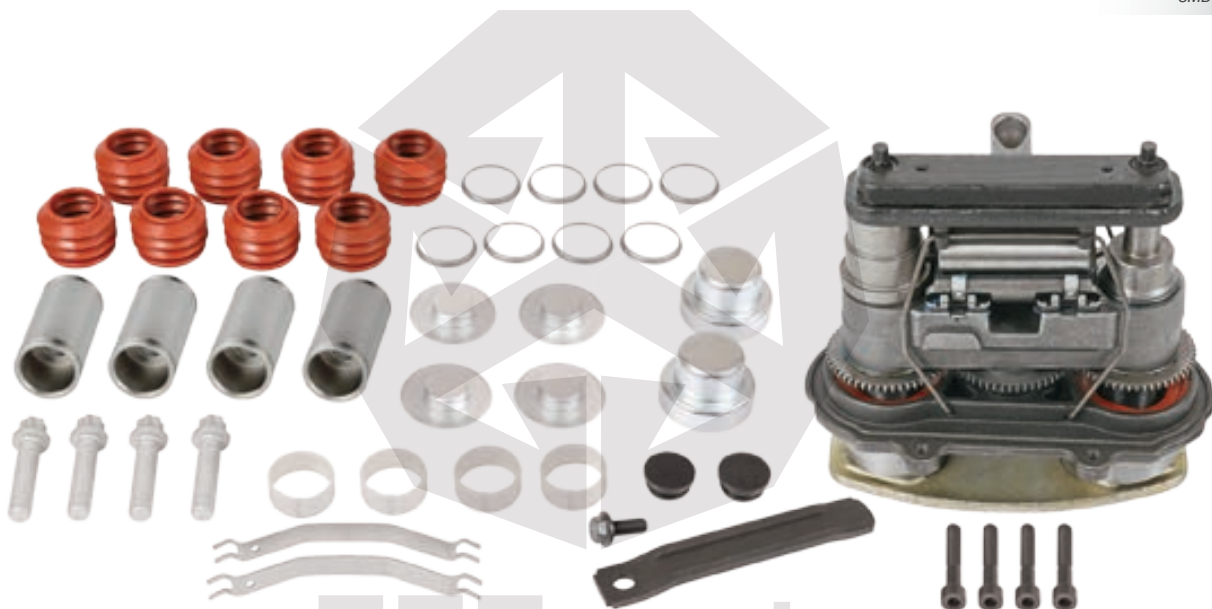


TTT No	Description	Pcs.		
18500	Caliper Boot Set	x 1	18556	Caliper Shaft Housing Set x 1
15063	Caliper Tappet Plate & Bolt Set	x 1	18602	Caliper Intermediate Gear x 1
15759	Caliper Mechanism Cap	x 1	15056	Needle Bearing Set x 1
15849	Caliper Mechanism Clamp	x 1	15790	Caliper Lever x 1
15930	Caliper Adjusting Mechanism	x 1	15781	Caliper Lever Pin x 1
15931	Caliper Adjusting Mechanism Gear	x 1	15055	Needle Bearing x 1
15932	Caliper Adjusting Mechanism Gear	x 1	18694	Caliper Mechanism Locker Plate Set x 1

18200 Caliper Complete Repair Kit

MARK IV

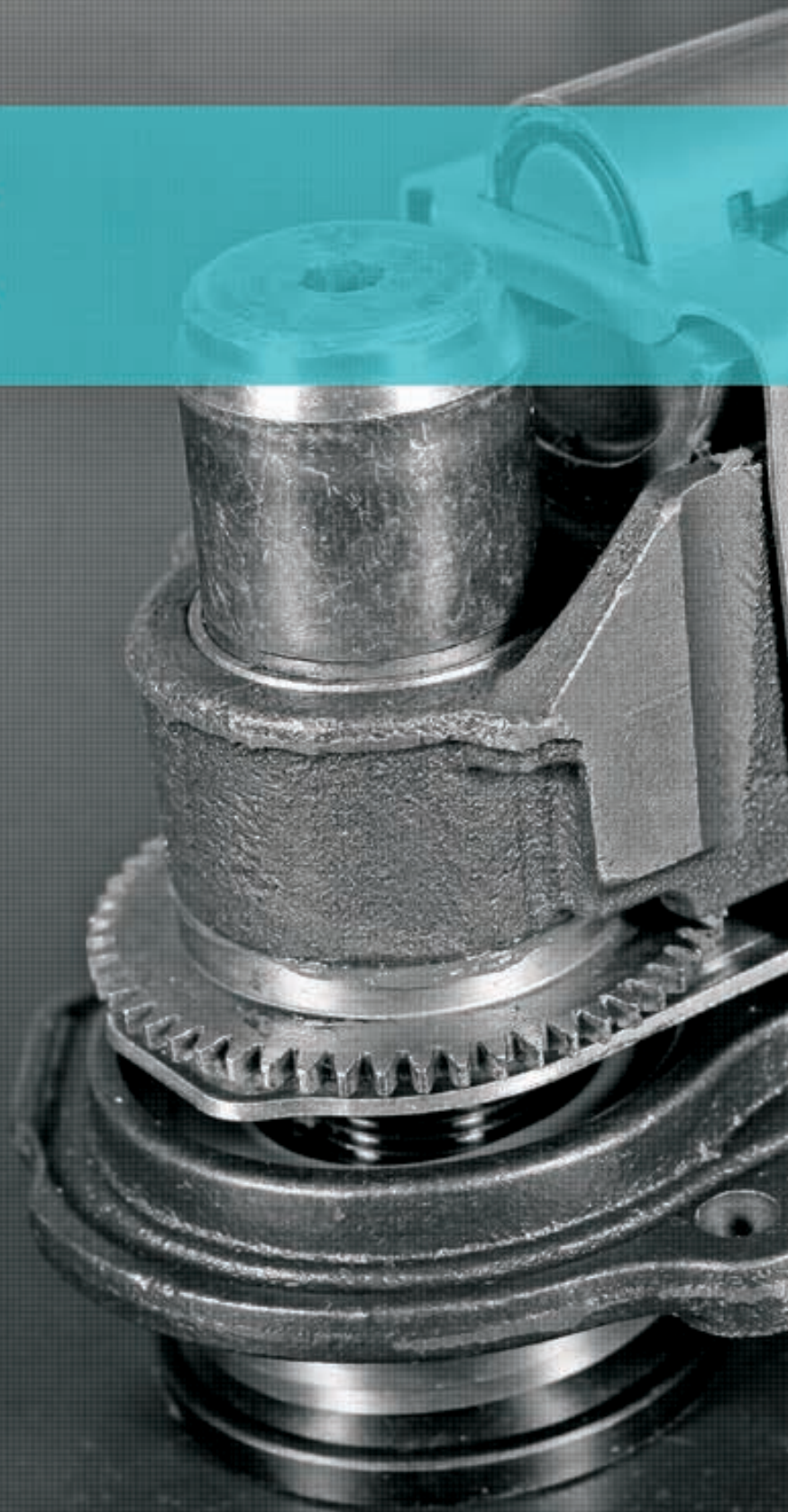
SAF Axle
SMB Axle

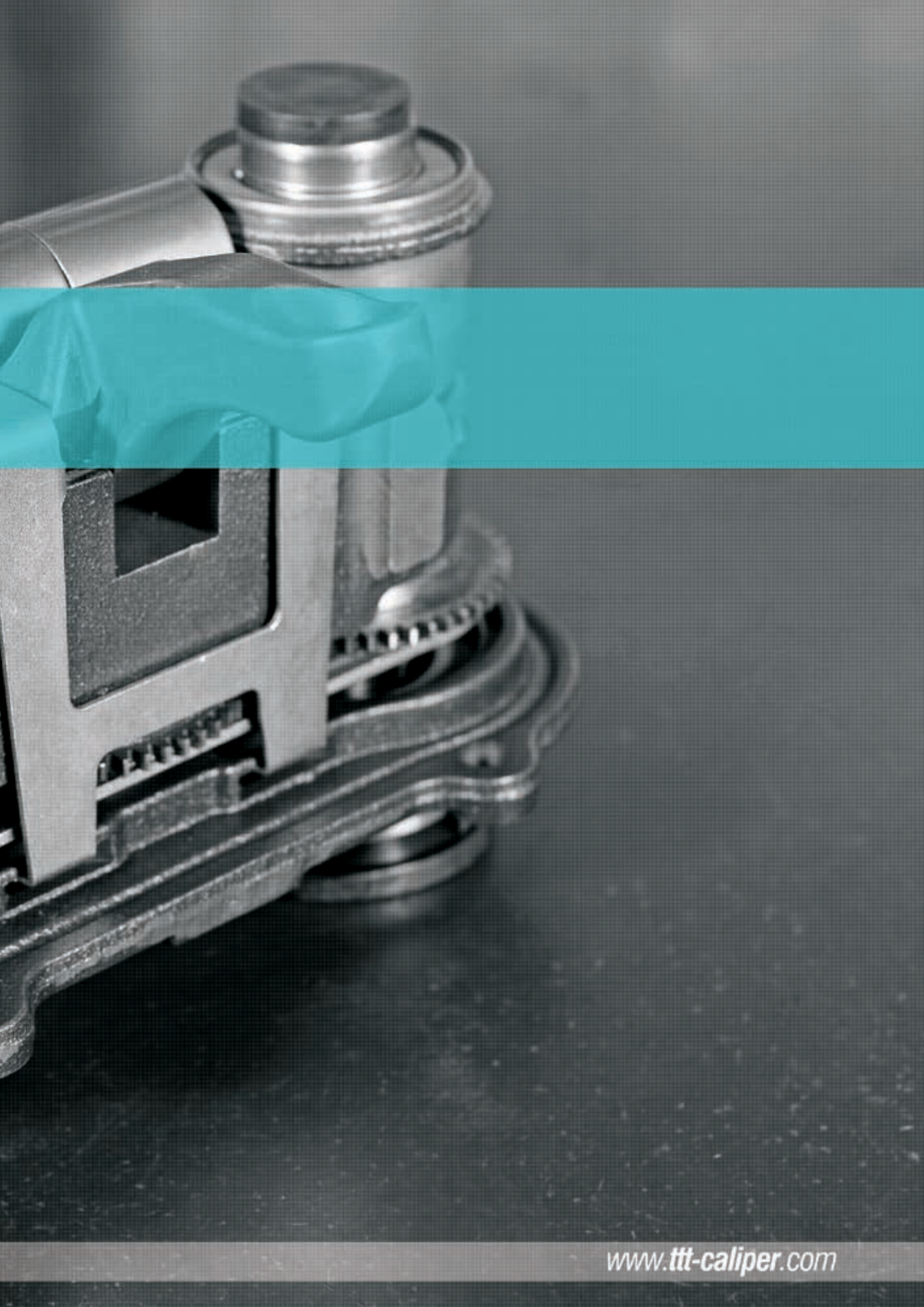


TTT No	Description	Pcs.
18550	Caliper Pin Repair Kit	x 1
16910	Caliper Complete Mechanism Set	x 1
18692	Caliper Pad Retainer Kit	x 1

HALDEX
MARK

MODUL X





18510 Caliper Pin Repair Kit 91012

GEN 1

SAF Axle
SMB Axle



TTT No	Description	Pcs.
18511	Caliper Pin - Ø 35 / 64 mm	x 4
18512	Pin Bolt - M14 x 2 / 42 mm	x 4
18513	Pin Cap - Ø 42 / 28 mm	x 2
18514	Steel Cap	x 4
18515	Pin Boot	x 6
18697	Plastic Bush	x 4
18506	Plug - (Mk III)	x 1
15707	Grease (White) - 5 g	x 2

18955 Caliper Pin Repair Kit 93299

GEN 2

SAF Axle
SMB Axle
DANA Axle
GIGANT Axle
VOLVO
RENAULT



TTT No	Description	Pcs.
18544	Caliper Pin - Ø 35 / 64 mm	x 4
18512	Pin Bolt - M14 x 2 / 42 mm	x 4
18513	Pin Cap - Ø 42 / 28 mm	x 2
18514	Steel Cap	x 2
18515	Pin Boot	x 6
18697	Plastic Bush	x 4
18506	Plug - (Mk III)	x 1
15707	Grease (White) - 5 g	x 2

18951 Caliper Pin Bolt Repair Kit 94660

GEN 1
GEN 2

SAF Axle
SMB Axle
DANA Axle
GIGANT Axle
VOLVO
RENAULT



TTT No	Description	Pcs.
18512	Pin Bolt - M14 x 2 / 42 mm	x 4
18552	Pin Bolt - M14 x 2 / 53 mm	x 4
18513	Pin Cap - Ø 42 / 28 mm	x 2
18514	Steel Cap	x 2
18515	Pin Boot	x 6
18697	Plastic Bush	x 4
18506	Plug - (Mk III)	x 1
15707	Grease (White) - 5 g	x 2

18520 Caliper Pin Boot & Cap Set 91013

GEN 1
GEN 2



TTT No	Description	Pcs.
18513	Pin Cap - Ø 42 / 28 mm	x 2
18514	Steel Cap	x 4
18515	Pin Boot	x 6
18697	Plastic Bush	x 4
18506	Plug - (Mk III)	x 1

18521 Caliper Pin Boot & Cap Set
91014

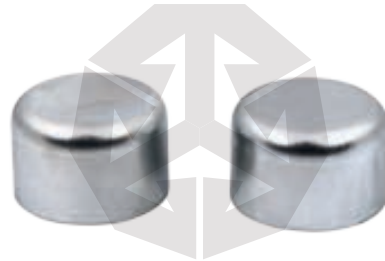
GEN 1
GEN 2



TTT No	Description	Pcs.
18513	Pin Cap - Ø 42 / 28 mm	x 2
18514	Steel Cap	x 4
18515	Pin Boot	x 2
18697	Plastic Bush	x 1
18506	Plug - (Mk III)	x 1

18522 Caliper Cap Set
91019

GEN 1
GEN 2



TTT No	Description	Pcs.
18513	Pin Cap - Ø 42 / 28 mm	x 2

18952 Caliper Adjuster Shaft Set
94892

GEN 1
GEN 2



TTT No	Description	Pcs.
18523	Adjuster Shaft	x 1
18524	Seal	x 1
18506	Plug - (Mk III)	x 1

18525 Caliper Adjuster Shaft Set
90693

GEN 1
GEN 2



TTT No	Description	Pcs.
18523	Adjuster Shaft	x 2
18524	Seal	x 2
18506	Plug - (Mk III)	x 2

18738 Caliper Boot Set
94662

GEN 1
GEN 2



TTT No	Description	Pcs.
18501	Tappet Boot - 67 mm	x 2
18749	Tappet Bush	x 2
18503	Clips	x 2
18506	Plug - (Mk III)	x 1

18500 Caliper Boot Set
89794

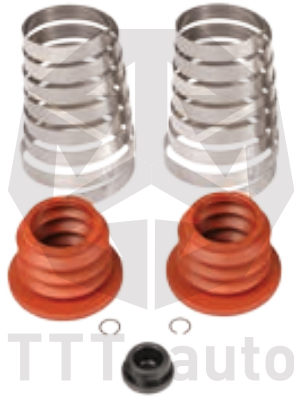
GEN 1
GEN 2



TTT No	Description	Pcs.
18501	Tappet Boot - 67 mm	x 2
18502	Spring - 67 mm	x 2
18503	Clips	x 2

18505 Caliper Boot Set 91011

GEN 1
GEN 2



TTT No	Description	Pcs.
18501	Tappet Boot - 67 mm	x 2
18502	Spring - 67 mm	x 2
18503	Clips	x 2
18506	Plug - (Mk III)	x 1

16989 Caliper Spring Set 94665

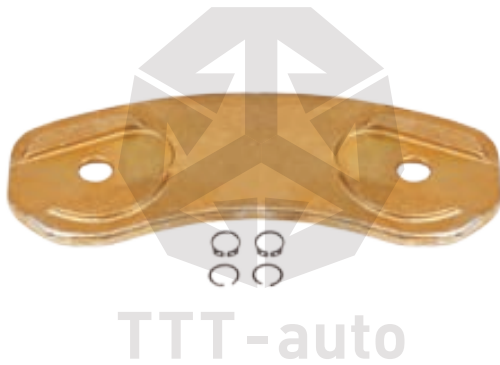
GEN 1



TTT No	Description	Pcs.
18502	Spring - 67 mm	x 2
18503	Clips	x 2

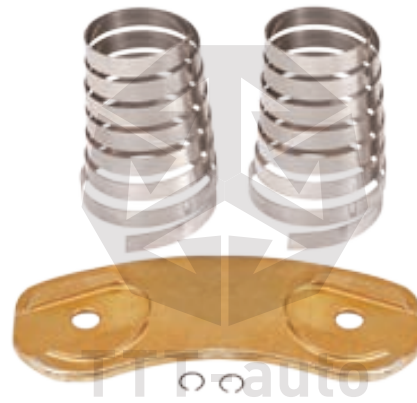
15064 Caliper Tappet Plate

GEN 1



16997 Caliper Spring & Plate Set 92731

GEN 1



TTT No	Description	Pcs.
18502	Spring - 67 mm	x 2
15064	Caliper Tappet Plate	x 1

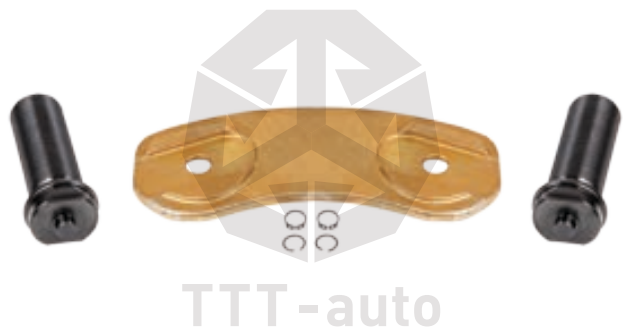
15065 Caliper Calibration Bolt

GEN 1



15063 Caliper Tappet Plate & Bolt Set

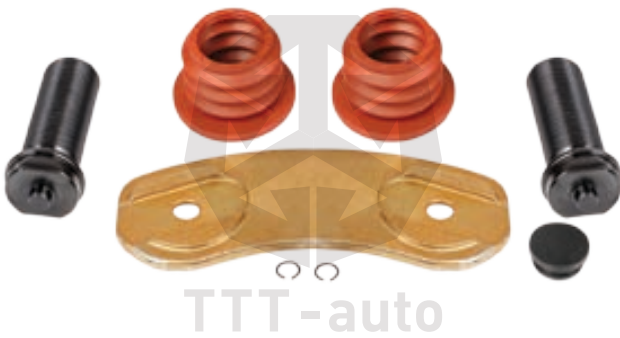
GEN 1



TTT No	Description	Pcs.
15064	Caliper Tappet Plate	x 1
15065	Caliper Calibration Bolt	x 2

16988 Caliper Tappet Plate & Bolt Set 94664

GEN 1



TTT No	Description	Pcs.
18501	Tappet Boot - 67 mm	x 2
15064	Caliper Tappet Plate	x 1
15065	Caliper Calibration Bolt	x 2
18506	Plug - (Mk III)	x 1

18471 Caliper Pad Retainer Kit 90673

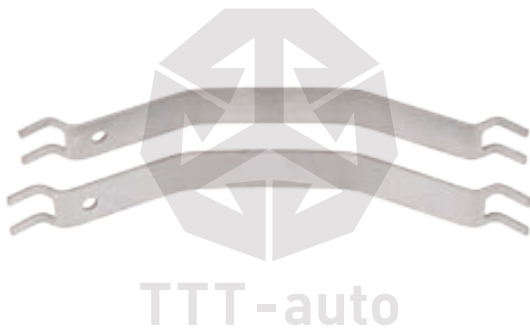
GEN 1
GEN 2



TTT No	Description	Pcs.
18472	Caliper Pad Retainer	x 1
18473	Bolt - M10 x 1,5 / 25 mm	x 1

18679 Caliper Pad Spring Kit 89924

GEN 1
GEN 2



TTT No	Description	Pcs.
18546	Caliper Pad Spring	x 2

18692 Caliper Pad Retainer Kit 91216

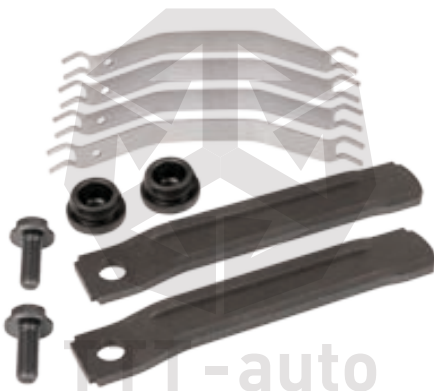
GEN 1
GEN 2



TTT No	Description	Pcs.
18471	Caliper Pad Retainer Kit	x 1
18679	Caliper Pad Spring Kit	x 1

18718 Caliper Pad Retainer Kit 94659

GEN 1
GEN 2



TTT No	Description	Pcs.
18471	Caliper Pad Retainer Kit	x 2
18679	Caliper Pad Spring Kit	x 2
18506	Plug - (Mk III)	x 2

15707 Grease (White) - For Brass Bush



15930 Caliper Adjusting Mechanism GEN 1



18019 Caliper Adjusting Mechanism Gear GEN 1



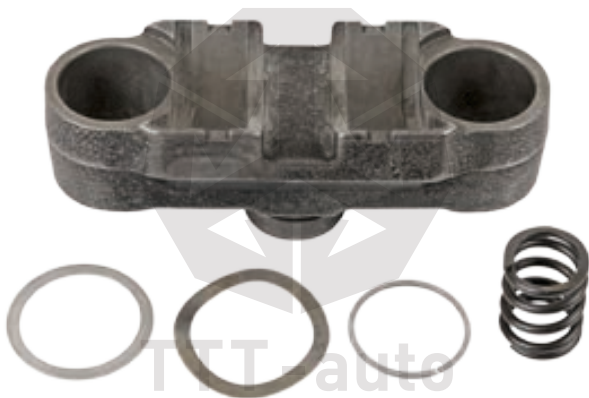
15932 Caliper Adjusting Mechanism Gear GEN 1



18602 Caliper Intermediate Gear GEN 1



18556 Caliper Shaft Housing Set GEN 1



15056 Needle Bearing Set GEN 1



TTT No	Description	Pcs.
18488	Caliper Shaft Housing	x 1
18445	Caliper Spring	x 1
18446	Caliper Ring	x 1
18447	Caliper Wavy Washer	x 1
18448	Caliper Washer	x 1

TTT No	Description	Pcs.
15466	Needle Bearing	x 2

18962 Caliper Lever Pin

GEN 1



TTT - auto

15055 Needle Bearing

GEN 1



TTT - auto

15790 Caliper Lever

GEN 1



TTT - auto

18519 Caliper Mechanism Cap

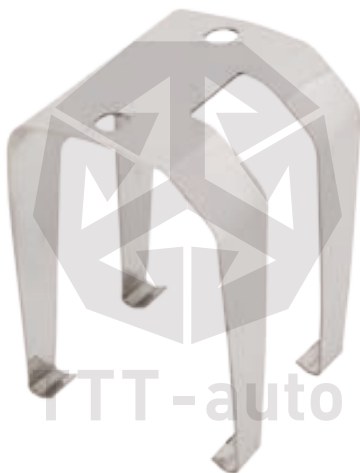
GEN 1



TTT - auto

18953 Caliper Mechanism Clamp

GEN 1



TTT - auto

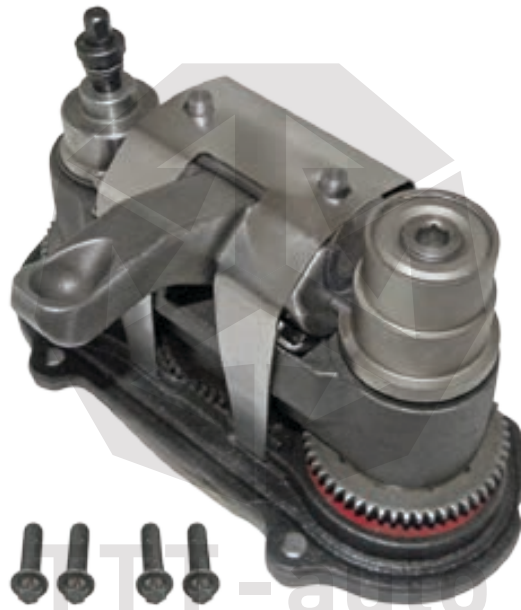
15718 Grease (Green) - For Rubber Bush



18170 Caliper Complete Mechanism Set

GEN 1

SAF Axle
SMB Axle

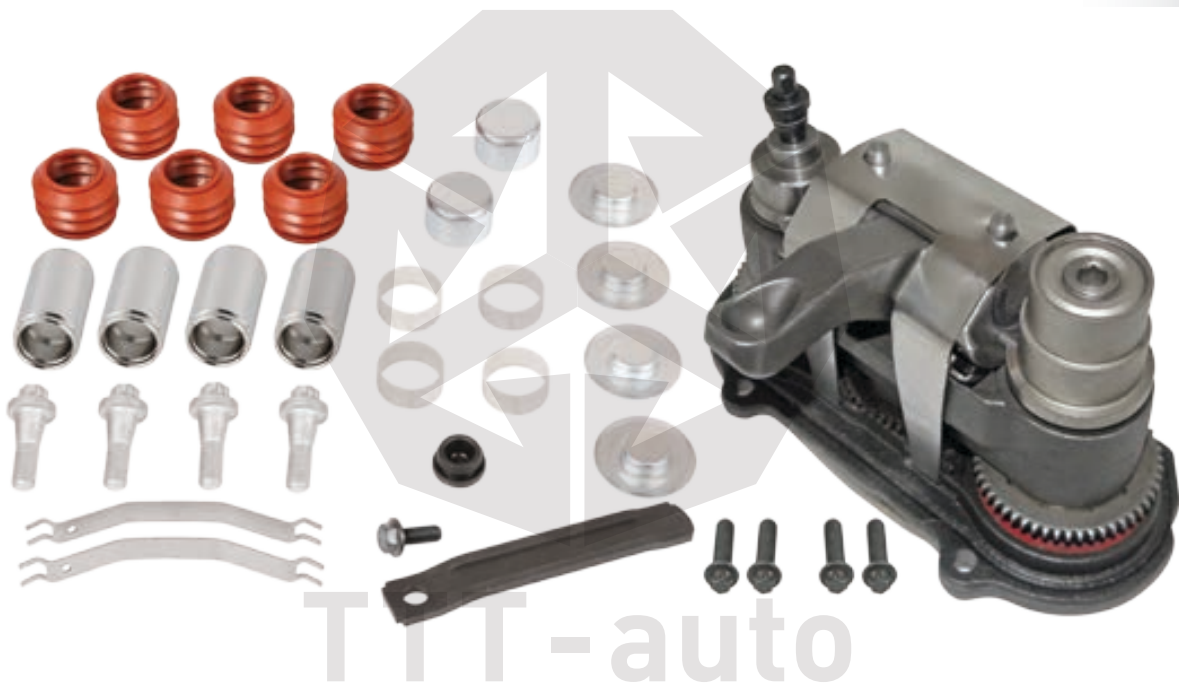


TTT No	Description	Pcs.			
18501	Tappet Boot - 67 mm	x 2	18556	Caliper Shaft Housing Set	x 1
18502	Spring - 67 mm	x 2	18602	Caliper Intermediate Gear	x 1
15063	Caliper Tappet Plate & Bolt Set	x 1	15056	Needle Bearing Set	x 1
18519	Caliper Mechanism Cap	x 1	15790	Caliper Lever	x 1
18953	Caliper Mechanism Clamp	x 1	18962	Caliper Lever Pin	x 1
15930	Caliper Adjusting Mechanism	x 1	15055	Needle Bearing	x 1
18019	Caliper Adjusting Mechanism Gear	x 1	18952	Caliper Adjuster Shaft Set	x 1
15932	Caliper Adjusting Mechanism Gear	x 1			

18205 Caliper Complete Repair Kit

GEN 1

SAF Axle
SMB Axle



TTT No	Description	Pcs.
18510	Caliper Pin Repair Kit	x 1
18170	Caliper Complete Mechanism Set	x 1
18692	Caliper Pad Retainer Kit	x 1

HALDEX
MODUL X



18541 Caliper Tappet & Calibration Bolt Set GEN 2



TTT No	Description	Pcs.
15444	Caliper Tappet & Calibration Bolt	x 2

18600 Caliper Adjusting Mechanism GEN 2



TTT - auto

18601 Caliper Adjusting Mechanism Gear GEN 2



TTT - auto

18603 Caliper Manual Adjusting Gear GEN 2



TTT - auto

18602 Caliper Intermediate Gear GEN 2



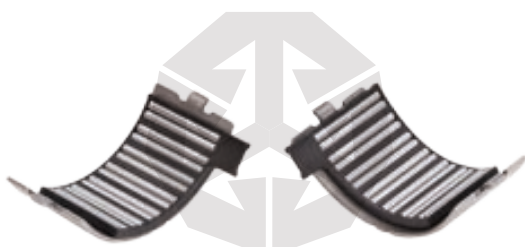
TTT - auto

18327 Caliper Shaft Housing Set GEN 2



TTT - auto

18596 Needle Bearing Set GEN 2



TTT - auto

TTT No	Description	Pcs.
18402	Caliper Shaft Housing	x 1
19108	Caliper Spring	x 1
18446	Caliper Ring	x 1
18447	Caliper Wavy Washer	x 1
18448	Caliper Washer	x 1

18404 Caliper Lever Pin

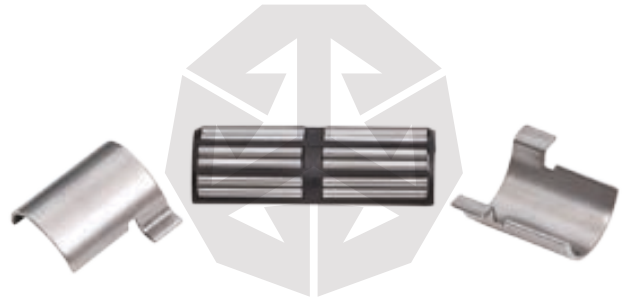
GEN 2



TTT - auto

18595 Needle Bearing Set

GEN 2



TTT - auto

18403 Caliper Lever

GEN 2



TTT - auto

18519 Caliper Mechanism Cap

GEN 2



TTT - auto

18592 Caliper Mechanism Plate

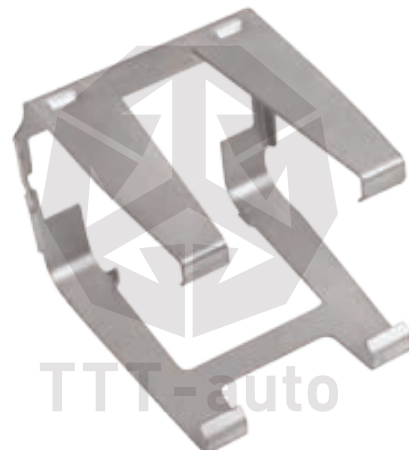
GEN 2



TTT - auto

18599 Caliper Mechanism Clamp

GEN 2

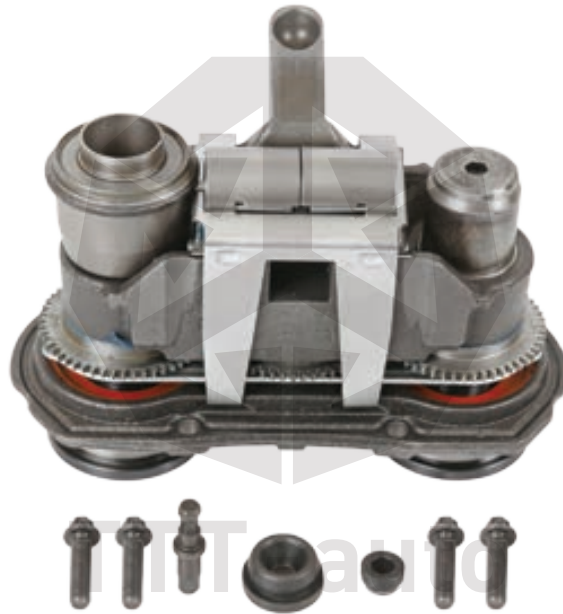


TTT - auto

16850 Caliper Complete Mechanism Set

GEN 2

SAF Axle
SMB Axle
DANA Axle
GIGANT Axle
VOLVO
RENAULT



TTT No	Description	Pcs.			
18501	Tappet Boot - 67 mm	x 2	18596	Needle Bearing Set	x 1
18502	Spring - 67 mm	x 2	18327	Caliper Shaft Housing	x 1
18541	Caliper Tappet & Calibration Bolt Set	x 1	18592	Caliper Mechanism Plate	x 1
18600	Caliper Adjusting Mechanism	x 1	18599	Caliper Mechanism Clamp	x 1
18601	Caliper Adjusting Mechanism Gear	x 1	18403	Caliper Lever	x 1
18602	Caliper Intermediate Gear	x 1	18404	Caliper Lever Pin	x 1
18603	Caliper Manual Adjusting Gear	x 1	18519	Caliper Mechanism Cap	x 1
18595	Needle Bearing Set	x 1	18952	Caliper Adjuster Shaft Set	x 1

18450 Caliper Complete Repair Kit

GEN 2

SAF Axle
SMB Axle
DANA Axle
GIGANT Axle
VOLVO
RENAULT



TTT No	Description	Pcs.
18955	Caliper Pin Repair Kit	x 1
16850	Caliper Complete Mechanism Set	x 1
18692	Caliper Pad Retainer Kit	x 1

HALDEX

MODUL X

MODUL T



18020 Caliper Pin Repair Kit 95397

MODUL T

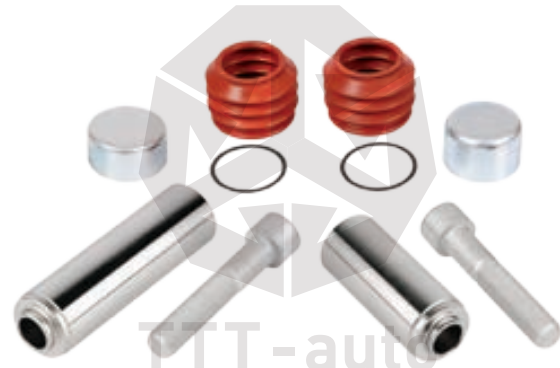
SAF Axle



TTT No	Description	Pcs.
18489	Caliper Pin - Ø 35 / 120 mm	x 1
18490	Caliper Pin - Ø 35,5 / 87 mm	x 1
14535	Pin Bolt - M16 x 1.5 / 80 mm	x 2
14602	Round Bush - Ø 35 x 39 / 30 mm	x 2
18533	Bush - Ø39.5 x 36 / 14.5 mm	x 1
18482	Composite Bush 35.7 x 35.4 x 87 mm	x 1
18499	Pin Boot	x 2
18531	Ring	x 2
18528	Pin Cap - Ø 45 / 22 mm	x 1
18529	Pin Cap - Ø 42 / 26 mm	x 1
18007	Reset Shaft Plug	x 1
15707	Grease (White) - 5 g	x 1
15718	Grease (Green) - 8 g	x 1

18998 Caliper Pin Repair Kit 96202

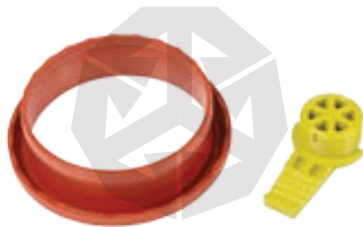
MODUL T



TTT No	Description	Pcs.
18489	Caliper Pin - Ø 35 / 120 mm	x 1
18490	Caliper Pin - Ø 35,5 / 87 mm	x 1
14535	Pin Bolt - M16 x 1.5 / 80 mm	x 2
18499	Pin Boot	x 2
18531	Ring	x 2
18528	Pin Cap - Ø 45 / 22 mm	x 1
18529	Pin Cap - Ø 42 / 26 mm	x 1
15707	Grease (White) - 5 g	x 1
15718	Grease (Green) - 8 g	x 1

18051 Caliper Mechanism Seal Kit 95399

MODUL T



TTT No	Description	Pcs.
18004	Adjustment Screw Bellow	x 1
18007	Reset Shaft Plug	x 1

18052 Caliper Adjustment Screw Bellow Set

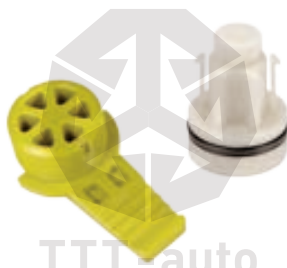
MODUL T



TTT No	Description	Pcs.
18004	Adjustment Screw Bellow	x 5

18053 Caliper Reset Shaft Kit 95398

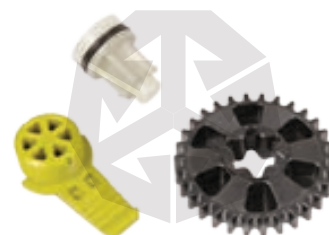
MODUL T



TTT No	Description	Pcs.
18003	Reset Shaft	x 1
18007	Reset Shaft Plug	x 1

18033 Caliper Reset Shaft Kit

MODUL T



TTT No	Description	Pcs.
18003	Reset Shaft	x 1
18005	Reset Shaft Gear	x 1
18007	Reset Shaft Plug	x 1

18054 Caliper Reset Shaft Set MODUL T



TTT No	Description	Pcs.
18003	Reset Shaft	x 5

18057 Caliper Reset Shaft Plug Set MODUL T



TTT No	Description	Pcs.
18007	Reset Shaft Plug	x 5

18056 Caliper Reset Shaft Gear Set MODUL T



TTT No	Description	Pcs.
18005	Reset Shaft Gear	x 5

18050 Caliper Adjusting Mechanism MODUL T



18088 Caliper Mechanism Bearing Set MODUL T



TTT No	Description	Pcs.
18061	Caliper Thrust Bearing	x 2
18062	Caliper Thrust Bearing	x 1
18063	Caliper Vertical Bearing	x 1

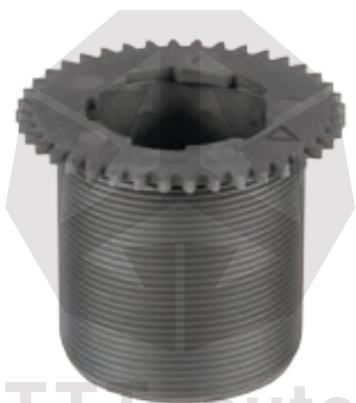
18089 Caliper Mechanism Bearing House Set MODUL T



TTT No	Description	Pcs.
18066	Caliper Mechanism Bearing House	x 5

18013 Caliper Adjusting Shaft

MODUL T



TTT-auto

18014 Caliper Shaft Housing

MODUL T



TTT-auto

18012 Caliper Lever Housing

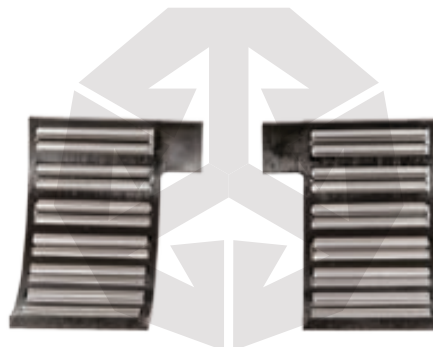
MODUL T



TTT-auto

18065 Needle Bearing Set

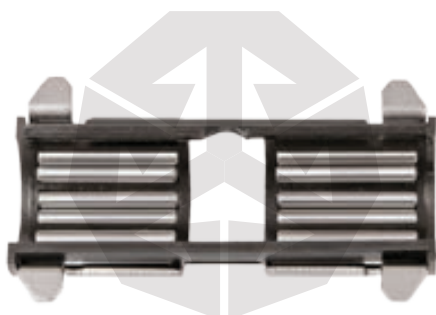
MODUL T



TTT-auto

18064 Needle Bearing Set

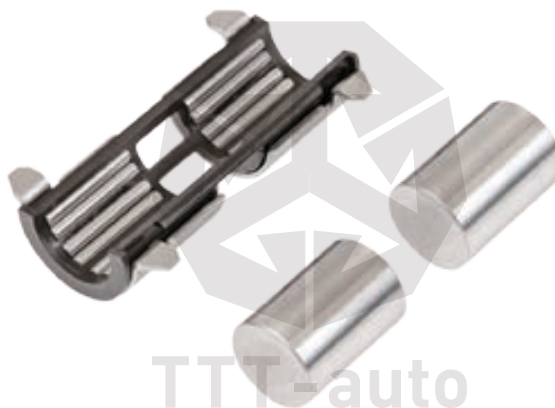
MODUL T



TTT-auto

18067 Caliper Bearing Set

MODUL T



TTT-auto

TTT No	Description	Pcs.
18064	Needle Bearing Set	x 1
18011	Lever Roller Bearing	x 2

18010 Caliper Lever

MODUL T



TTT-auto

18021 Caliper Mechanism Locker Set

MODUL T



TTT-auto

TTT No	Description	Pcs.
18009	Mechanism Locker	x 5

18059 Caliper Mechanism Protection Cap Set

MODUL T

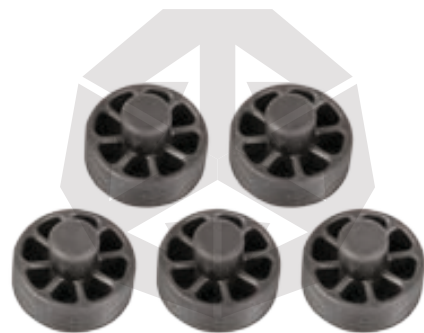


TTT-auto

TTT No	Description	Pcs.
18008	Mechanism Protection Cap	x 5

18058 Caliper Protection Plug Set

MODUL T

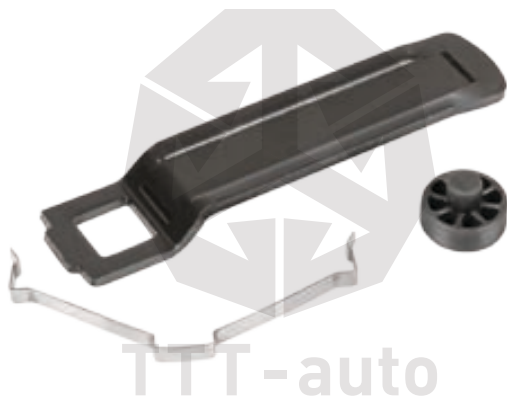


TTT-auto

TTT No	Description	Pcs.
18006	Protection Plug	x 5

18055 Caliper Pad Retainer Kit

MODUL T

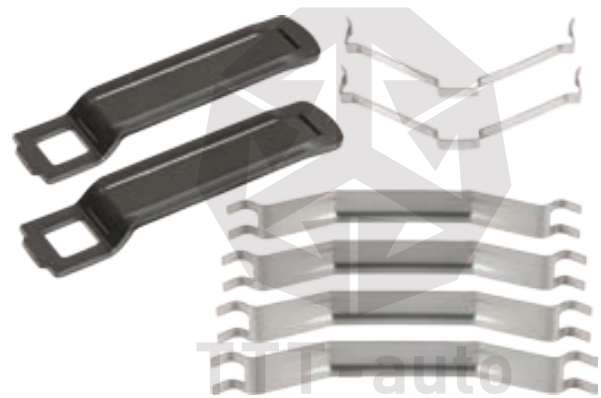


TTT-auto

TTT No	Description	Pcs.
18068	Pad Retainer	x 1
18069	Pad Retainer Spring	x 1
18006	Protection Plug	x 1

19245 Caliper Pad Retainer Kit

MODUL T



TTT-auto

TTT No	Description	Pcs.
18068	Pad Retainer	x 2
18069	Pad Retainer Spring	x 2
19244	Caliper Pad Spring	x 4

18030 Caliper Complete Mechanism Set

MODUL T

SAF Axle



TTT No	Description	Pcs.			
18010	Caliper Lever	x 1	18014	Caliper Shaft Housing	x 1
18067	Caliper Bearing Set	x 1	18050	Caliper Adjusting Mechanism	x 1
18065	Needle Bearing Set	x 1	18009	Mechanism Locker	x 1
18012	Caliper Lever Housing	x 1	18004	Adjustment Screw Bellow	x 1
18013	Caliper Adjusting Shaft	x 1	15707	Grease (White) - 5 g	x 2

18150 Caliper Complete Repair Kit

MODUL T

SAF Axle



TTT No	Description	Pcs.
18020	Caliper Pin Repair Kit	x 1
18030	Caliper Complete Mechanism Set	x 1
18033	Caliper Reset Shaft Kit	x 1
18055	Caliper Pad Retainer Kit	x 1

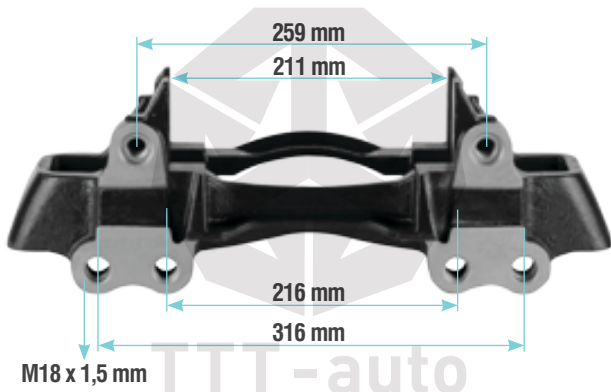


HALDEX CARRIERS

20281 Caliper Carrier - 22.5 "

MODUL T

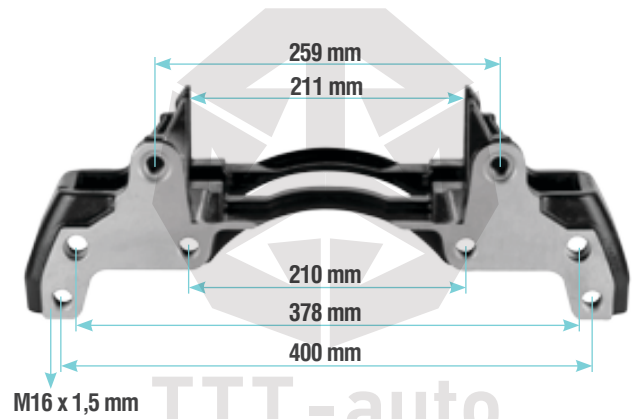
SAF Axle



20282 Caliper Carrier - 22.5 "

MODUL T

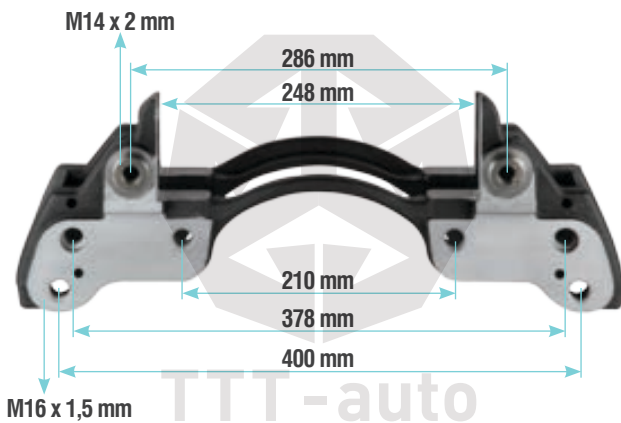
SAF Axle



20285 Caliper Carrier - 22.5 "

MODUL X
DB22

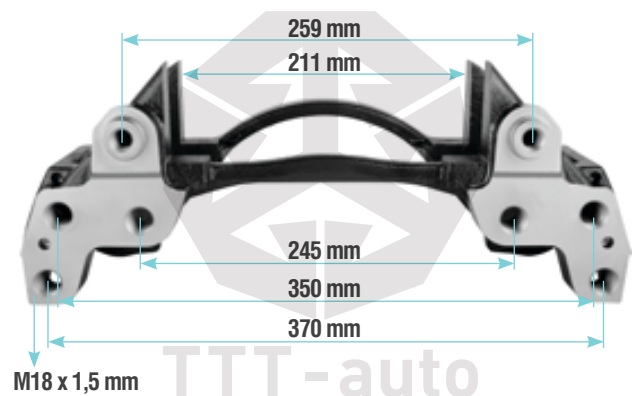
SAF Axle



20291 Caliper Carrier - 19.5 "

MODUL X
DB19

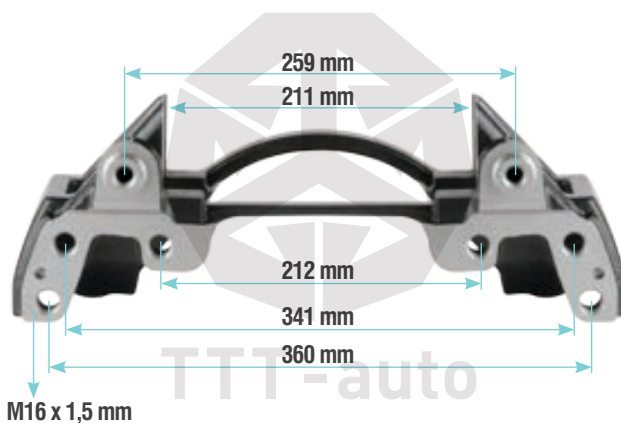
VOLVO FL6



20292 Caliper Carrier - 19.5 "

MODUL X
DB19

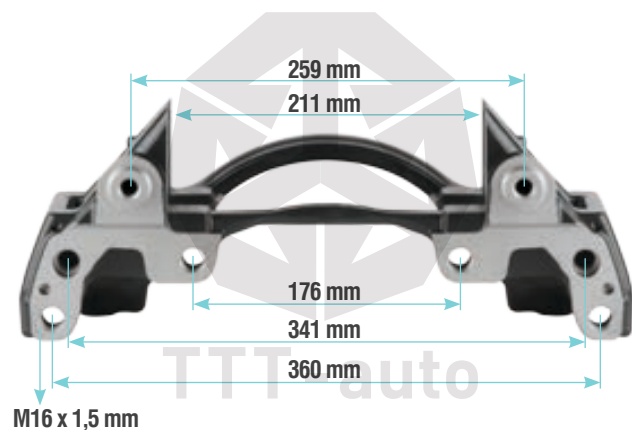
BPW Axle



20293 Caliper Carrier - 19.5 "

MODUL X
DB19

SAF Axle



www.ttt-caliper.com



for **bpw** caliper

19312 Caliper Pin Repair Kit

BPW



TTT No	Description	Pcs.
19301	Caliper Pin - Ø 37 / 123 mm	x 1
19302	Caliper Pin - Ø 36 / 70 mm	x 1
19303	Pin Bolt - M16 x 1.5 / 100 mm	x 1
19304	Pin Bolt - M16 x 1.5 / 70 mm	x 1
19310	Pin Cap (Plastic)	x 2
19307	Bush - Ø 41 x 37 / 73 mm	x 1
19308	Bush - Ø 41 x 37 / 30 mm	x 1
19305	Pin Boot	x 2
19306	Ring (Plastic)	x 2
19309	O-Ring - Ø 36 / 3.5 mm	x 1
19311	Plug	x 1
15707	Grease (White) - 5 g	x 2

19300 Caliper Pin Repair Kit 09.801.07.61.0

BPW



TTT No	Description	Pcs.
19301	Caliper Pin - Ø 37 / 123 mm	x 1
19302	Caliper Pin - Ø 36 / 70 mm	x 1
19303	Pin Bolt - M16 x 1.5 / 100 mm	x 1
19304	Pin Bolt - M16 x 1.5 / 70 mm	x 1
19309	O-Ring - Ø 36 / 3.5 mm	x 1
19310	Pin Cap (Plastic)	x 2
19307	Bush - Ø 41 x 37 / 73 mm	x 1
19308	Bush - Ø 41 x 37 / 30 mm	x 1
15707	Grease (White) - 5 g	x 2

19330 Caliper Seal Repair Kit

BPW



TTT No	Description	Pcs.
19305	Pin Boot	x 2
19306	Ring (Plastic)	x 2
19309	O-Ring - Ø 36 / 3.5 mm	x 1
19310	Pin Cap (Plastic)	x 2
19307	Bush - Ø 41 x 37 / 73 mm	x 1
19308	Bush - Ø 41 x 37 / 30 mm	x 1
19311	Plug	x 1

19025 Caliper Pin & Retainer Repair Kit 09.801.05.81.0

BPW



TTT No	Description	Pcs.
19301	Caliper Pin - Ø 37 / 123 mm	x 1
19302	Caliper Pin - Ø 36 / 70 mm	x 1
19303	Pin Bolt - M16 x 1.5 / 100 mm	x 1
19304	Pin Bolt - M16 x 1.5 / 70 mm	x 1
19306	Ring (Plastic)	x 2
19033	Caliper Pad Retainer Kit	x 1
15707	Grease (White) - 5 g	x 2

19070 Caliper Tappet & Boot Set
09.801.07.63.1
05.801.50.90.0

BPW



TTT No	Description	Pcs.
19071	Tappet	x 2
19022	Tappet Boot	x 2
19023	Locker	x 2
19317	Clamp	x 2

19020 Caliper Tappet & Boot Set
09.801.07.63.0

BPW



TTT No	Description	Pcs.
19021	Tappet	x 2
19022	Tappet Boot	x 2
19023	Locker	x 2
19317	Clamp	x 2

19044 Caliper Mechanism Shaft

BPW



19045 Caliper Mechanism Bearing House

BPW



19046 Caliper Mechanism Washer

BPW



TTT No	Description	Pcs.
19027	Caliper Mechanism Bearing Slot	x 1
19029	Caliper Mechanism Bearing	x 1

19080 Caliper Cover Set

BPW



19087 Caliper Mechanism Internal Washer Set

BPW

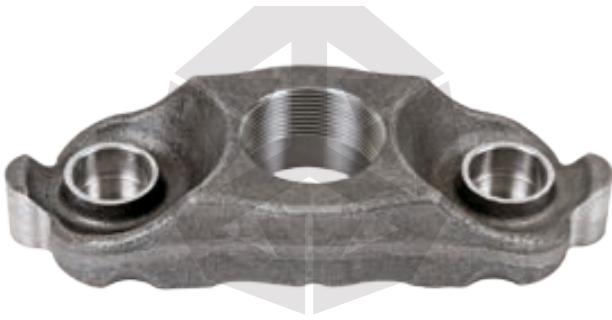


TTT No	Description	Pcs.
19083	Mechanism Internal Washer	x 10

TTT No	Description	Pcs.
19081	Cover With Mechanism	x 1
19082	Bolt - M8 x 1.25 / 16 mm	x 8
19083	Mechanism Internal Washer	x 1

19037 Caliper Shaft Housing

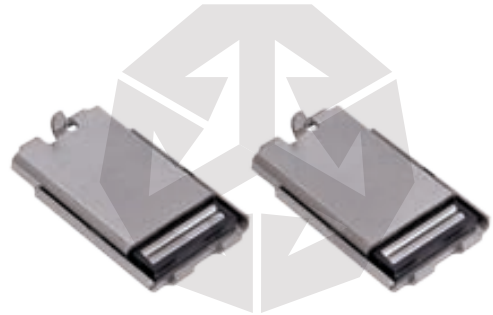
BPW



TTT - auto

19030 Needle Bearing Set

BPW

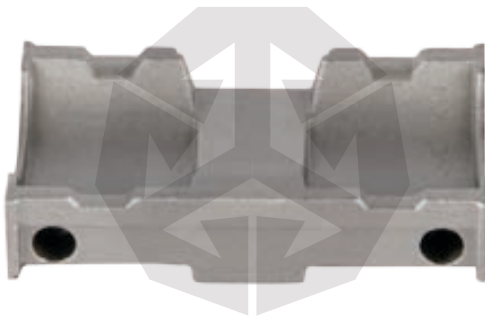


TTT - auto

TTT No	Description	Pcs.
19399	Needle Bearing	x 2

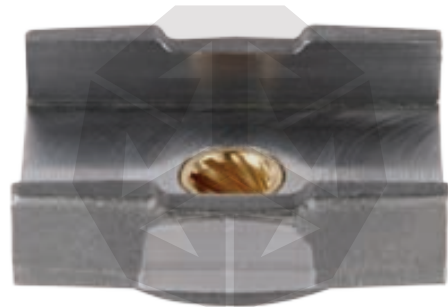
19035 Caliper Bearing House

BPW



19036 Caliper Mechanism House

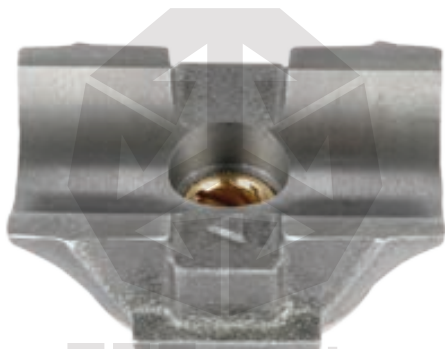
BPW



TTT - auto

19099 Caliper Bearing House

BPW



TTT - auto

19031 Needle Bearing Set

BPW



TTT - auto

TTT No	Description	Pcs.
19409	Needle Bearing	x 2



19040 Caliper Lever

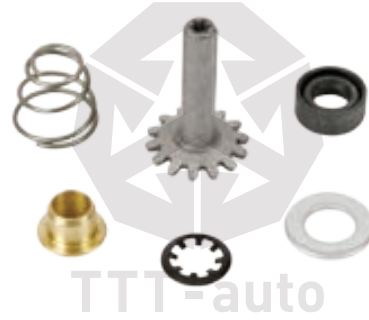
BPW



TTT No	Description	Pcs.
19039	Lever	x 1
19038	Lever Pin	x 1
19237	Lever Pin Washer	x 1
14737	Bolt - M8 x 1.25 / 16 mm	x 1

19050 Caliper Manual Adjuster Repair Kit

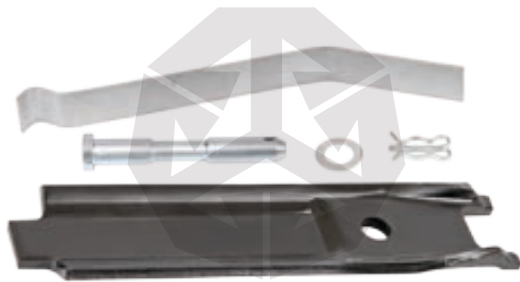
BPW



TTT No	Description	Pcs.
19051	Pinion	x 1
19052	Spring	x 1
19053	Seal	x 1
19054	Washer	x 1
19055	Bush	x 1
19056	Ring	x 1

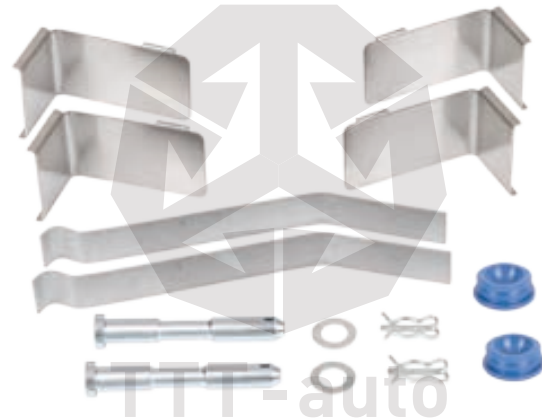
19033 Caliper Pad Retainer Kit

BPW



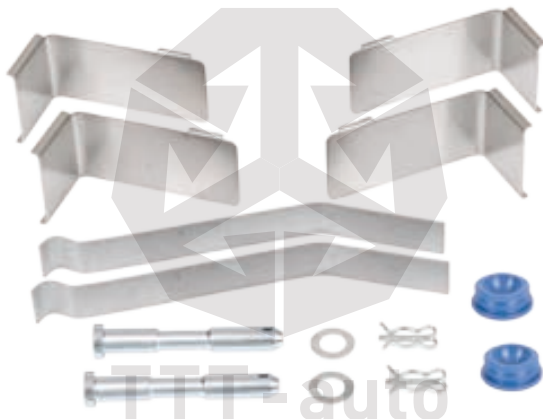
19058 Caliper Pad Spring Kit

BPW
TSB 3709



19059 Caliper Pad Spring Kit

BPW
TSB 4309
TSB 4312



19057 Caliper Plug Set

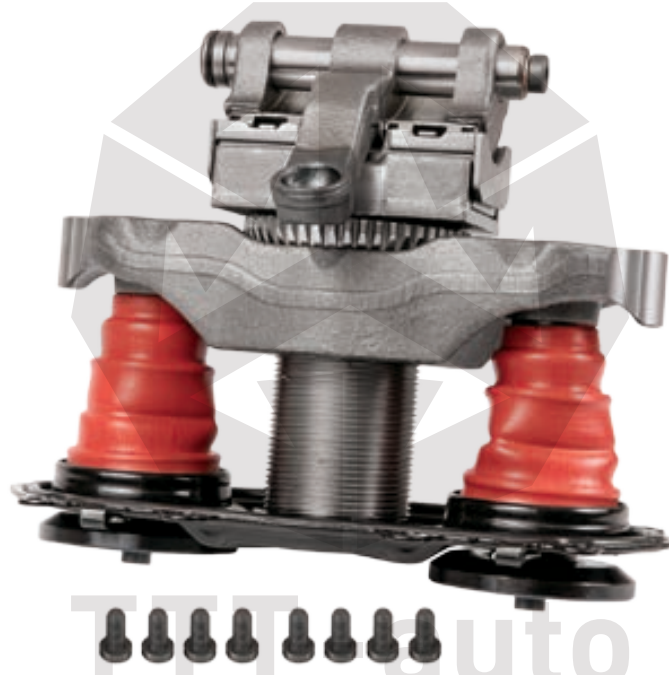
BPW



TTT No	Description	Pcs.
19028	Plug	x 5

19110 Caliper Complete Mechanism Set - (With Pin)

BPW



TTT No	Description	Pcs.	
19070	Caliper Tappet & Boot Set	x 1	
19080	Caliper Cover Set	x 1	
19044	Caliper Mechanism Shaft	x 1	
19045	Caliper Mechanism Bearing House	x 1	
19046	Caliper Mechanism Washer	x 1	
19037	Caliper Shaft Housing	x 1	
19040	Caliper Lever		x 1
19035	Caliper Bearing House		x 1
19036	Caliper Mechanism House		x 1
19030	Needle Bearing Set		x 1
19031	Needle Bearing Set		x 1

19220 Caliper Complete Repair Kit - (With Pin)

BPW



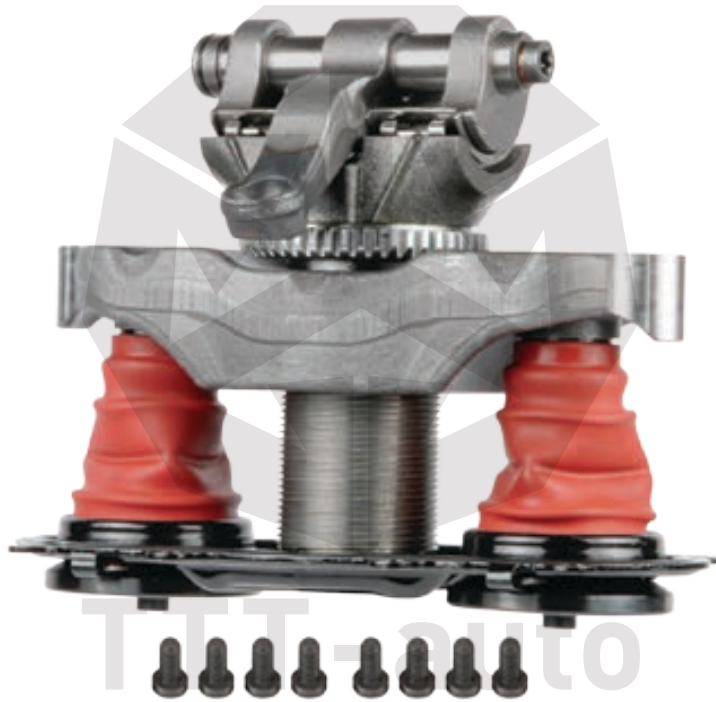
TTT No	Description	Pcs.	
19312	Caliper Pin Repair Kit	x 1	
19110	Complete Mechanism Set - (With Pin)	x 1	
19050	Manual Adjuster Repair Kit	x 1	
19033	Caliper Pad Retainer Kit		x 1
19028	Plug		x 2

BPW



19801 Caliper Complete Mechanism Set - (With Pin)

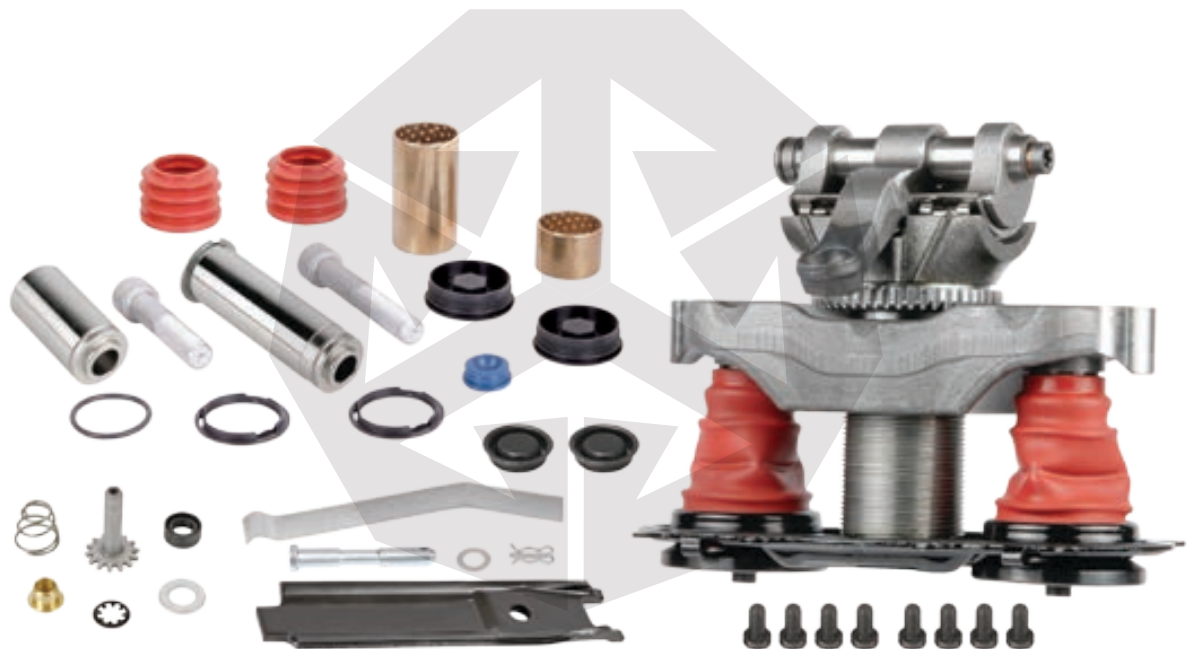
BPW



TTT No	Description	Pcs.			
19070	Caliper Tappet & Boot Set	x 1	19037	Caliper Shaft Housing	x 1
19080	Caliper Cover Set	x 1	19040	Caliper Lever	x 1
19044	Caliper Mechanism Shaft	x 1	19099	Caliper Bearing House	x 1
19045	Caliper Mechanism Bearing House	x 1	19031	Needle Bearing Set	x 1
19046	Caliper Mechanism Washer	x 1			

19802 Caliper Complete Repair Kit - (With Pin)

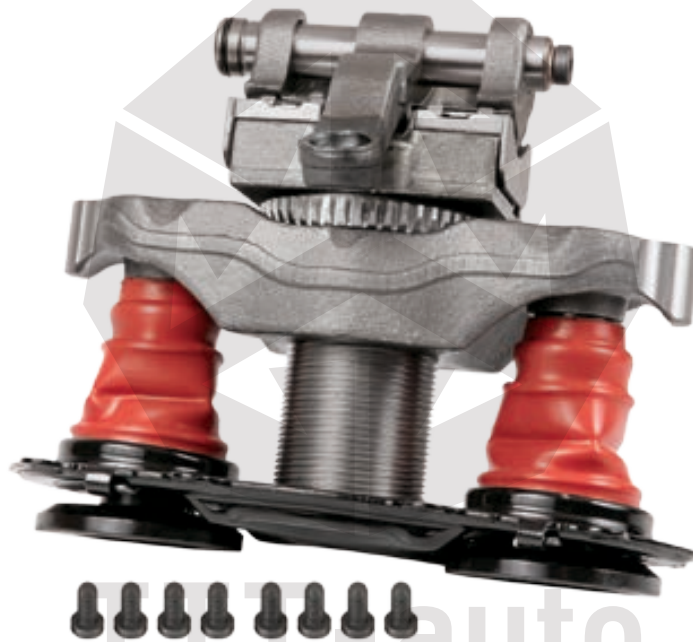
BPW



TTT No	Description	Pcs.			
19312	Caliper Pin Repair Kit	x 1	19033	Caliper Pad Retainer Kit	x 1
19801	Complete Mechanism Set - (With Pin)	x 1	19028	Plug	x 2
19050	Manual Adjuster Repair Kit	x 1			

19210 Caliper Complete Mechanism Set - (Without Pin)

BPW



TTT No	Description	Pcs.	
19020	Caliper Tappet & Boot Set	x 1	
19080	Caliper Cover Set	x 1	
19044	Caliper Mechanism Shaft	x 1	
19045	Caliper Mechanism Bearing House	x 1	
19046	Caliper Mechanism Washer	x 1	
19037	Caliper Shaft Housing	x 1	
19040	Caliper Lever		x 1
19035	Caliper Bearing House		x 1
19036	Caliper Mechanism House		x 1
19030	Needle Bearing Set		x 1
19031	Needle Bearing Set		x 1

19230 Caliper Complete Repair Kit - (Without Pin)

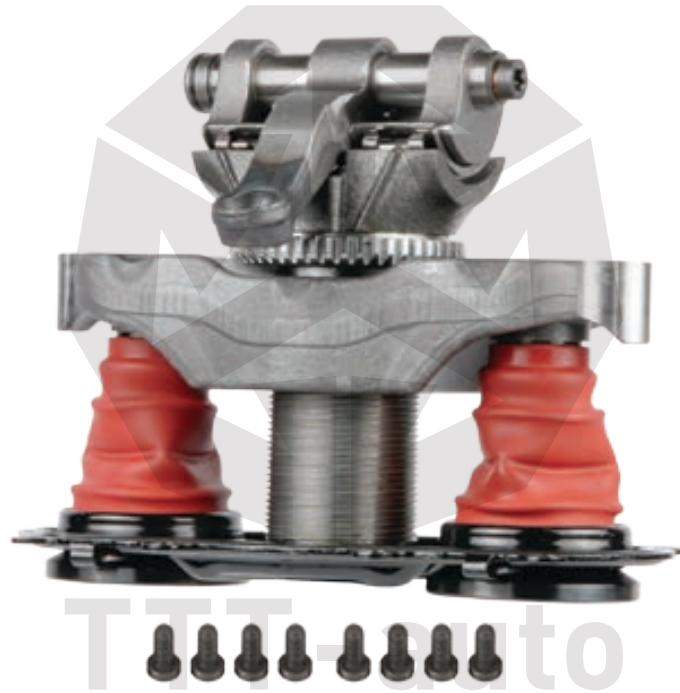
BPW



TTT No	Description	Pcs.	
19312	Caliper Pin Repair Kit	x 1	
19210	Complete Mechanism Set - (Without Pin)	x 1	
19050	Manual Adjuster Repair Kit	x 1	
19033	Caliper Pad Retainer Kit		x 1
19028	Plug		x 2

19803 Caliper Complete Mechanism Set - (Without Pin)

BPW



TTT No	Description	Pcs.			
19020	Caliper Tappet & Boot Set	x 1	19037	Caliper Shaft Housing	x 1
19080	Caliper Cover Set	x 1	19040	Caliper Lever	x 1
19044	Caliper Mechanism Shaft	x 1	19099	Caliper Bearing House	x 1
19045	Caliper Mechanism Bearing House	x 1	19031	Needle Bearing Set	x 1
19046	Caliper Mechanism Washer	x 1			

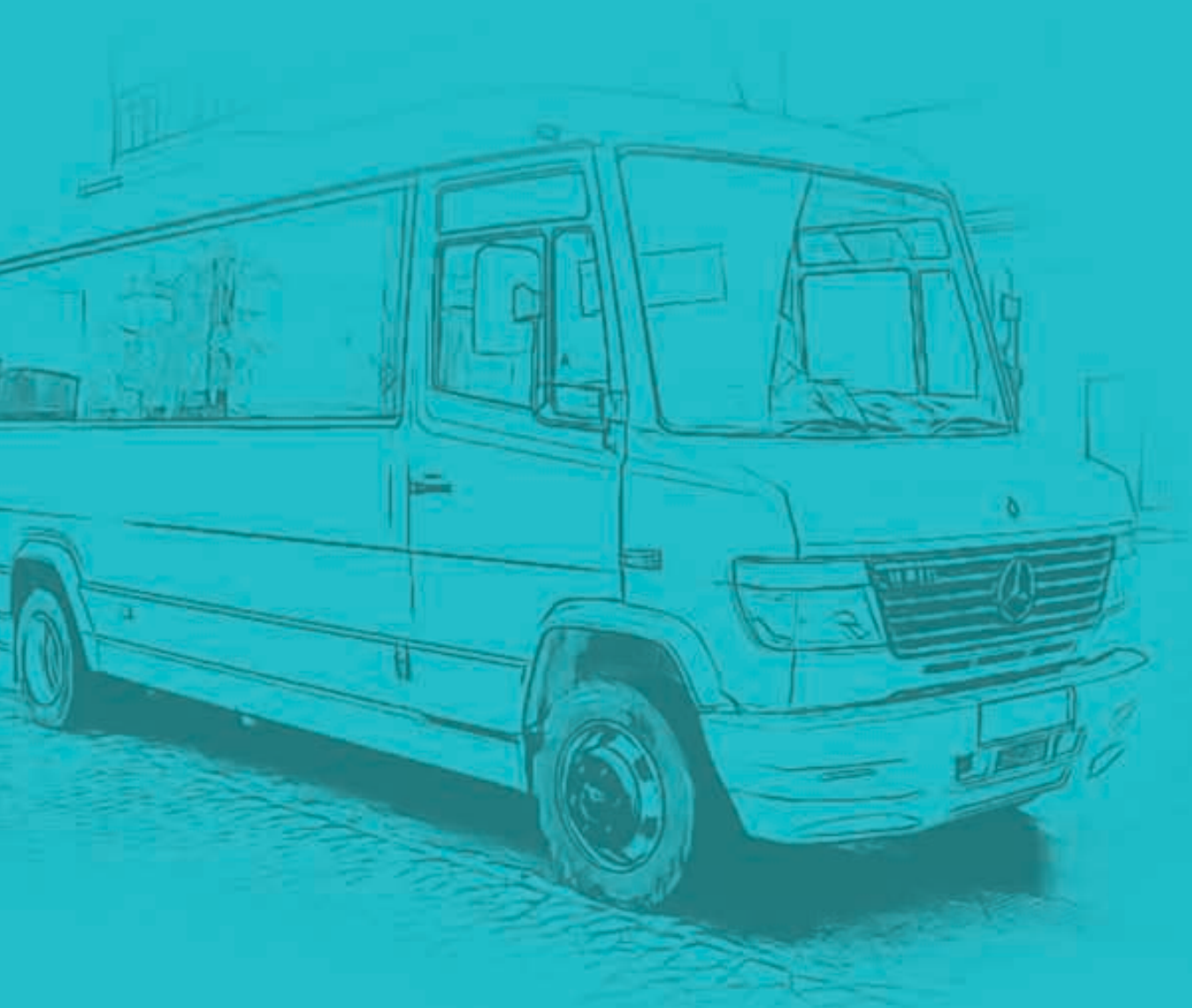
19804 Caliper Complete Repair Kit - (Without Pin)

BPW



TTT No	Description	Pcs.			
19312	Caliper Pin Repair Kit	x 1	19033	Caliper Pad Retainer Kit	x 1
19803	Complete Mechanism Set - (Without Pin)	x 1	19028	Plug	x 2
19050	Manual Adjuster Repair Kit	x 1			

www.ttt-caliper.com



for **hydraulic** caliper

18670 Caliper Pin Repair Kit SP8565

MERITOR

IVECO 58 mm FRONT / REAR
IVECO 68 mm FRONT / REAR
VOLVO 58 mm REAR
VOLVO 68 mm FRONT / REAR
OPTARE 58 mm FRONT / REAR
OPTARE 68 mm FRONT / REAR
RENAULT 68 mm FRONT



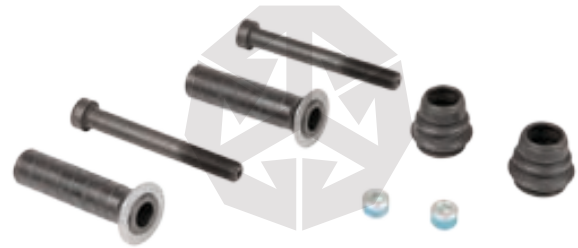
TTT - auto

TTT No	Description	Pcs.
18671	Caliper Pin - Ø 20 / 71 mm	x 2
18672	Pin Bolt - M12 x 1.25 / 85 mm	x 2
18714	Pin Boot	x 2
18673	Pin Cap - Ø 22 / 12 mm	x 2
18674	Pin Cap - Ø 22 / 8 mm	x 2
15707	Grease (White) - 5 g	x 2

18750 Caliper Pin Repair Kit SP8902

MERITOR

MERCEDES 60 mm FRONT
RENAULT 60 mm FRONT



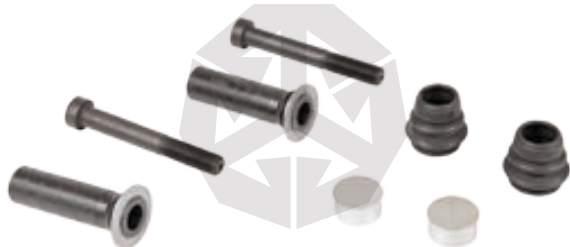
TTT - auto

TTT No	Description	Pcs.
18751	Caliper Pin - Ø 20 / 80 mm	x 2
18752	Pin Bolt - M12 x 1.25 / 95 mm	x 2
18714	Pin Boot	x 2
18715	Plug	x 2
15707	Grease (White) - 5 g	x 2

18740 Caliper Pin Repair Kit SJ1035 ST1153

MERITOR

IVECO 60 mm FRONT
MERCEDES 54 mm REAR
MERCEDES 60 mm REAR



TTT - auto

TTT No	Description	Pcs.
18711	Caliper Pin - Ø 20 / 71 mm	x 2
18712	Pin Bolt - M12 x 1.25 / 85 mm	x 2
18713	Pin Cap - Ø 24 / 12 mm	x 2
18714	Pin Boot	x 2
15707	Grease (White) - 5 g	x 2

18710 Caliper Pin Repair Kit SJ1034

MERITOR

IVECO 60 mm REAR



TTT - auto

TTT No	Description	Pcs.
18711	Caliper Pin - Ø 20 / 71 mm	x 2
18712	Pin Bolt - M12 x 1.25 / 85 mm	x 2
18713	Pin Cap - Ø 24 / 12 mm	x 2
18714	Pin Boot	x 2
18715	Plug	x 2
15707	Grease (White) - 5 g	x 2

18660 Caliper Pin Repair Kit SJ1022

MERITOR

IVECO 68 mm REAR



TTT - auto

TTT No	Description	Pcs.
18671	Caliper Pin - Ø 20 / 71 mm	x 2
18712	Pin Bolt - M12 x 1.25 / 85 mm	x 2
18713	Pin Cap - Ø 24 / 12 mm	x 2
18714	Pin Boot	x 2
18715	Plug	x 2
15707	Grease (White) - 5 g	x 2

18755 Caliper Pin Boot Kit ST1154

MERITOR



TTT - auto

TTT No	Description	Pcs.
18714	Pin Boot	x 2
18713	Pin Cap - Ø 24 / 12 mm	x 2
18715	Plug	x 2

18680 Caliper Boot & Seal Repair Kit SP9669

MERITOR

MECO 58 mm REAR
VOLVO 58 mm REAR
OPTARE 58 mm REAR



TTT No	Description	Pcs.
18681	Piston Boot	x 2
18682	Piston Seal	x 2
18714	Pin Boot	x 2
18673	Pin Cap - Ø 22 / 12 mm	x 2
18674	Pin Cap - Ø 22 / 8 mm	x 2
18683	O-ring (Big)	x 1
18684	O-ring (Small)	x 2
18685	Seal (Big)	x 1
18686	Seal (Small)	x 2
18687	Plastic Ring	x 1
18688	Circlips L-Ring	x 1
18689	Circlip	x 1
15707	Grease (White) - 5 g	x 2

18720 Caliper Boot & Seal Repair Kit SJ1030

MERITOR

MECO 60 mm REAR



TTT No	Description	Pcs.
18731	Piston Boot	x 2
18732	Piston Seal	x 2
18714	Pin Boot	x 2
18713	Pin Cap - Ø 24 / 12 mm	x 2
18715	Plug	x 2
18683	O-ring (Big)	x 1
18684	O-ring (Small)	x 2
18685	Seal (Big)	x 1
18686	Seal (Small)	x 2
18687	Plastic Ring	x 1
18688	Circlips L-Ring	x 1
18689	Circlip	x 1
15707	Grease (White) - 5 g	x 2

18690 Caliper Boot & Seal Repair Kit SP9670

MERITOR

MECO 68 mm REAR
VOLVO 68 mm REAR
OPTARE 68 mm REAR



TTT No	Description	Pcs.
18666	Piston Boot	x 2
18667	Piston Seal	x 2
18714	Pin Boot	x 2
18673	Pin Cap - Ø 22 / 12 mm	x 2
18674	Pin Cap - Ø 22 / 8 mm	x 2
18683	O-ring (Big)	x 1
18684	O-ring (Small)	x 2
18685	Seal (Big)	x 1
18686	Seal (Small)	x 2
18687	Plastic Ring	x 1
18688	Circlips L-Ring	x 1
18689	Circlip	x 1
15707	Grease (White) - 5 g	x 2

18745 Caliper Boot & Seal Repair Kit SJ1033

MERITOR

MECO 68 mm REAR



TTT No	Description	Pcs.
18666	Piston Boot	x 2
18667	Piston Seal	x 2
18714	Pin Boot	x 2
18713	Pin Cap - Ø 24 / 12 mm	x 2
18715	Plug	x 2
18683	O-ring (Big)	x 1
18684	O-ring (Small)	x 2
18685	Seal (Big)	x 1
18686	Seal (Small)	x 2
18687	Plastic Ring	x 1
18688	Circlips L-Ring	x 1
18689	Circlip	x 1
15707	Grease (White) - 5 g	x 2

18675 Caliper Boot Kit SP8567

MERITOR

IVECO 58 mm FRONT



TTT No	Description	Pcs.
18681	Piston Boot	x 2
18682	Piston Seal	x 2
18714	Pin Boot	x 2
18673	Pin Cap - Ø 22 / 12 mm	x 2
18674	Pin Cap - Ø 22 / 8 mm	x 2

18735 Caliper Boot Kit SP8597

MERITOR

MERCEDES 60 mm FRONT
RENAULT 60 mm FRONT



TTT No	Description	Pcs.
18731	Piston Boot	x 2
18732	Piston Seal	x 2
18714	Pin Boot	x 2

18730 Caliper Boot Kit SJ1037

MERITOR

IVECO 60 mm FRONT

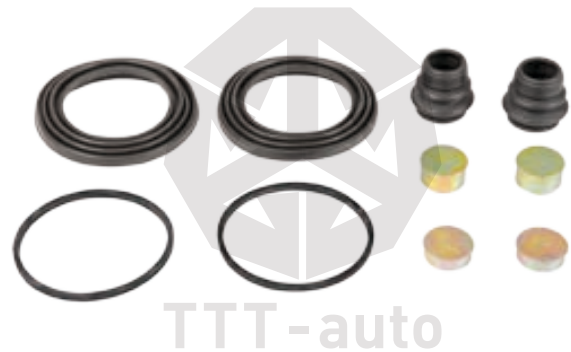


TTT No	Description	Pcs.
18731	Piston Boot	x 2
18732	Piston Seal	x 2
18714	Pin Boot	x 2
18713	Pin Cap - Ø 24 / 12 mm	x 2

18665 Caliper Boot Kit SP8564

MERITOR

IVECO 68 mm FRONT
VOLVO 68 mm FRONT
RENAULT 68 mm FRONT



TTT No	Description	Pcs.
18666	Piston Boot	x 2
18667	Piston Seal	x 2
18714	Pin Boot	x 2
18673	Pin Cap - Ø 22 / 12 mm	x 2
18674	Pin Cap - Ø 22 / 8 mm	x 2

18668 Caliper Pin Boot Kit SP8566

MERITOR



TTT No	Description	Pcs.
18714	Pin Boot	x 2
18715	Plug	x 2

19990 Caliper Bleeder Screw Kit

MERITOR



TTT No	Description	Pcs.
19991	Bleeder Screw	x 1
19992	Bleeder Screw Cap	x 1

19600 Caliper Hand Brake Kit

SP8570

MERITOR

IVECO 58 mm REAR
IVECO 68 mm REAR
VOLVO 58 mm REAR
VOLVO 68 mm REAR
OPTARE 58 mm REAR
OPTARE 68 mm REAR



TTT No	Description	Pcs.
19601	Crankshaft	x 1
19602	Knuckle With Bush - Ø 29.50 mm	x 1
19603	Tappet - Ø 31.60 / 42 mm	x 1
17484	Pin Bush - Ø 35 x 39 / 20 mm	x 2
18683	O-ring (Big)	x 1
18685	Seal (Big)	x 1
18687	Plastic Ring	x 1
19604	Washer	x 1
19605	Screw	x 1
19606	Locker	x 1
19607	Circlip	x 1
19608	Cap	x 1
15707	Grease (White) - 5 g	x 2

19615 Caliper Hand Brake Kit

SJ1032

MERITOR

IVECO 60 mm REAR
IVECO 68 mm REAR

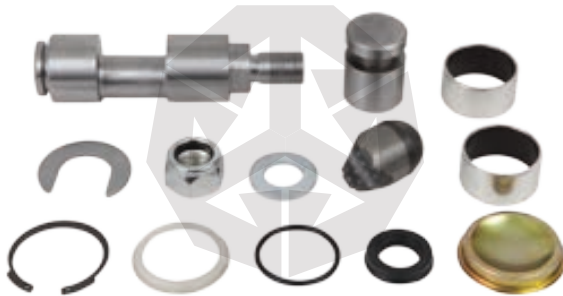


TTT No	Description	Pcs.
19601	Crankshaft	x 1
19602	Knuckle With Bush - Ø 29.50 mm	x 1
17484	Pin Bush - Ø 35 x 39 / 20 mm	x 2
18683	O-ring (Big)	x 1
18687	Plastic Ring	x 1
19604	Washer	x 1
19605	Screw	x 1
19606	Locker	x 1
19607	Circlip	x 1
19608	Cap	x 1
15707	Grease (White) - 5 g	x 2

19620 Caliper Hand Brake Kit

MERITOR

IVECO 60 mm REAR
IVECO 68 mm REAR



TTT No	Description	Pcs.
19616	Crankshaft	x 1
19617	Washer	x 1
19618	Nut	x 1
19602	Knuckle With Bush - Ø 29.50 mm	x 1
19603	Tappet - Ø 31.60 / 42 mm	x 1
17484	Pin Bush - Ø 35 x 39 / 20 mm	x 2
18683	O-ring (Big)	x 1
18685	Seal (Big)	x 1
18687	Plastic Ring	x 1
19606	Locker	x 1
19607	Circlip	x 1
19608	Cap	x 1
15707	Grease (White) - 5 g	x 2

19614 Caliper Knuckle Bush Set

MERITOR



TTT No	Description	Pcs.
19609	Caliper Knuckle Bush	x 5

15707 Grease (White) - For Brass Bush



19870 Caliper Auto Adjuster Kit SJ1091

MERITOR

IVECO 58 mm REAR
VOLVO 58 mm REAR
OPTARE 58 mm REAR



TTT No	Description	Pcs.
19871	Hand Brake Piston Kit - Ø 58 / 63 mm	x 1
19755	Adjusting Bolt	x 1
19680	Spring Case	x 1
19681	Spring	x 1
18689	Circlip	x 1
15707	Grease (White) - 5 g	x 2

19872 Caliper Hand Brake Piston **MERITOR** Ø 58 / 63 mm 68320294

IVECO 58 mm REAR
VOLVO 58 mm REAR
OPTARE 58 mm REAR



19873 Caliper Piston **MERITOR** Ø 58 / 63 mm 68320070

IVECO 58 mm FRONT / REAR
VOLVO 58 mm REAR
OPTARE 58 mm FRONT / REAR



19890 Caliper Auto Adjuster Kit SJ1092

MERITOR

IVECO 68 mm REAR
VOLVO 68 mm REAR
OPTARE 68 mm REAR



TTT No	Description	Pcs.
19891	Hand Brake Piston Kit - Ø 68 / 63 mm	x 1
19755	Adjusting Bolt	x 1
19680	Spring Case	x 1
19681	Spring	x 1
18689	Circlip	x 1
15707	Grease (White) - 5 g	x 2

19892 Caliper Hand Brake Piston **MERITOR** Ø 68 / 63 mm 68320293

IVECO 68 mm REAR
VOLVO 68 mm REAR
OPTARE 68 mm REAR



19893 Caliper Piston **MERITOR** Ø 68 / 63 mm 68320021

IVECO 68 mm FRONT / REAR
VOLVO 68 mm FRONT / REAR
OPTARE 68 mm FRONT / REAR
RENAULT 68 mm FRONT



19900 Caliper Auto Adjuster Kit SJ1215

MERITOR

IVECO 60 mm REAR



TTT No	Description	Pcs.
19901	Hand Brake Piston Kit - Ø 60 / 63 mm	x 1
19755	Adjusting Bolt	x 1
19598	Spring Case	x 1
19599	Spring	x 1
18689	Circlip	x 1
15707	Grease (White) - 5 g	x 2

19902 Caliper Hand Brake Piston **MERITOR** Ø 60 / 63 mm 68321603

IVECO 60 mm REAR



19903 Caliper Piston **MERITOR** Ø 60 / 63 mm 31320085

IVECO 60 mm FRONT / REAR
RENAULT 60 mm FRONT



19940 Caliper Auto Adjuster Kit SJ1214

MERITOR

IVECO 68 mm REAR



TTT No	Description	Pcs.
19941	Hand Brake Piston Kit - Ø 68 / 63 mm	x 1
19755	Adjusting Bolt	x 1
19598	Spring Case	x 1
19599	Spring	x 1
18689	Circlip	x 1
15707	Grease (White) - 5 g	x 2

19942 Caliper Hand Brake Piston **MERITOR** Ø 68 / 63 mm 68320567

IVECO 68 mm REAR



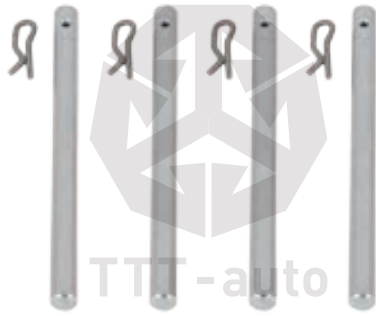
19943 Caliper Piston **MERITOR** Ø 68 / 63 mm 68320564

IVECO 68 mm FRONT / REAR



19650 Caliper Pad Retainer Kit
SP8563

MERITOR



19535 Caliper Bolt Set

MERITOR



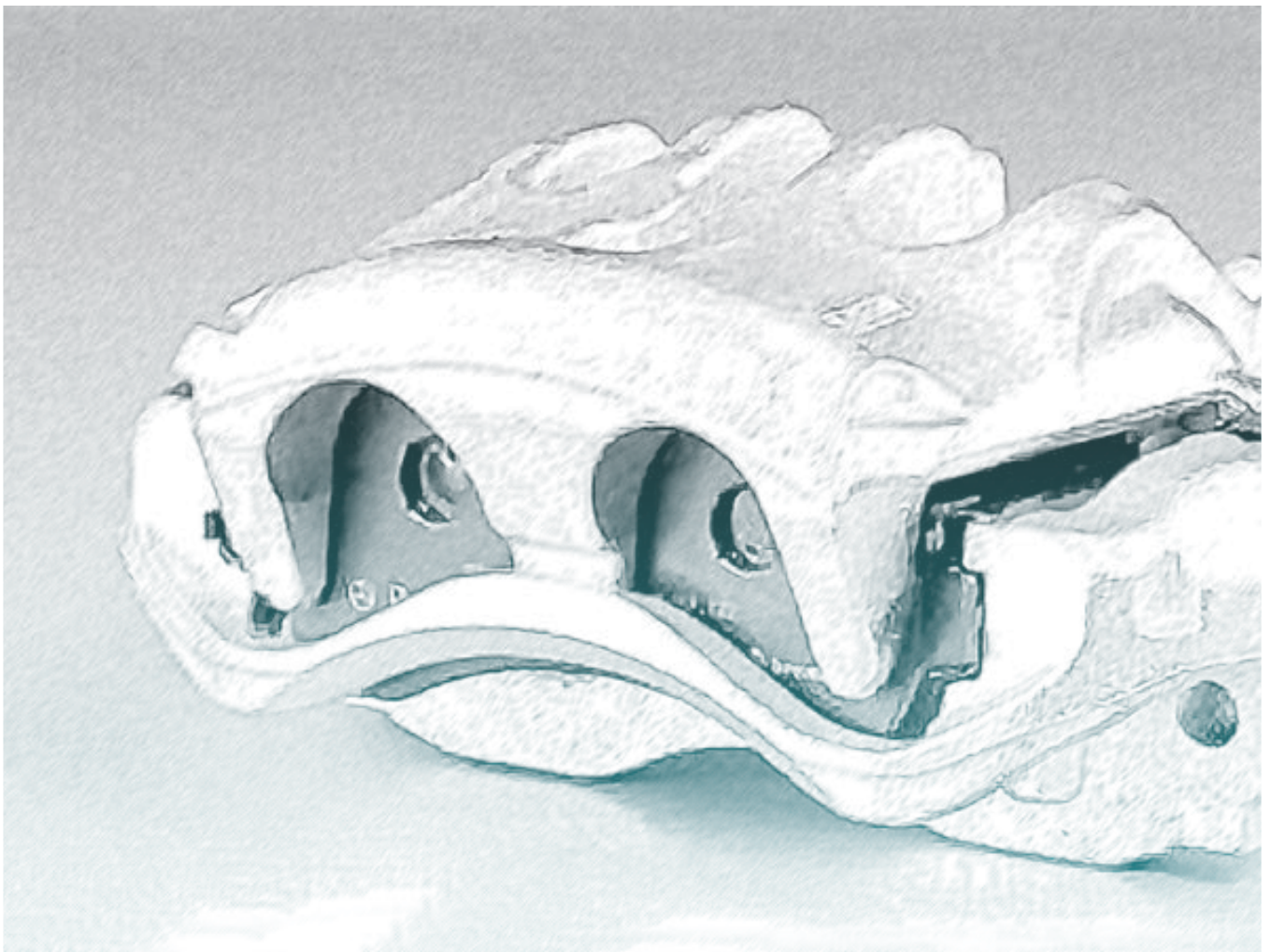
TTT - auto

TTT No	Description	Pcs.
19536	Bolt - M12 x 1.25 / 40 mm	x 4

15707 Grease (White) - For Brass Bush



15718 Grease (Green) - For Rubber Bush



17730 Caliper Pin Repair Kit

000 420 0054
000 421 0850

BREMBO

MB SPRINTER



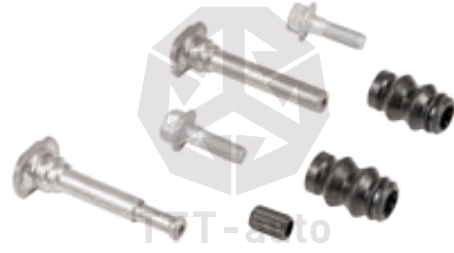
TTT No	Description	Pcs.
17731	Caliper Pin - Ø 18 / 66 mm	x 1
17732	Caliper Pin - Ø 18 / 66 mm - With Bush Slot	x 1
17733	Pin Bolt - M8 x 1.25 / 70 mm	x 2
17734	Pin Boot	x 2
17735	Rubber Bush	x 1
17736	Rubber Plug	x 2
15707	Grease (White) - 5 g	x 2

17550 Caliper Pin Repair Kit

000 423 0663

BREMBO

MB SPRINTER



TTT No	Description	Pcs.
17551	Caliper Pin - Ø 12.15 / 82 mm	x 1
17552	Caliper Pin - Ø 11.50 / 82 mm - With Bush Slot	x 1
17553	Pin Bolt - M10 x 1.25 / 30 mm	x 2
17554	Pin Boot	x 2
17555	Rubber Bush	x 1
15707	Grease (White) - 5 g	x 2

18040 Caliper Pin Repair Kit

42548197
42555416

BREMBO

IVECO DAILY



TTT No	Description	Pcs.
18041	Caliper Pin - Ø 18 / 66 mm	x 2
18042	Pin Bolt - M8 x 1.25 / 70 mm	x 2
18077	Pin Boot	x 2
18078	Clamp	x 2
18079	Rubber Cap	x 2
15707	Grease (White) - 5 g	x 2

18160 Caliper Pin Repair Kit

93162193

BREMBO

IVECO DAILY



TTT No	Description	Pcs.
18161	Caliper Pin - Ø 18 / 63 mm	x 2
18042	Pin Bolt - M8 x 1.25 / 70 mm	x 2
18077	Pin Boot	x 2
18079	Rubber Cap	x 2
15707	Grease (White) - 5 g	x 2

19935 Caliper Piston Boot Kit

93161847

BREMBO

IVECO DAILY 40 mm



TTT No	Description	Pcs.
19921	Piston Boot	x 2
19922	Piston Seal	x 2

19920 Caliper Boot Kit

93162192

BREMBO

IVECO DAILY 40 mm



TTT No	Description	Pcs.
19921	Piston Boot	x 2
19922	Piston Seal	x 2
19923	Plug	x 2
18077	Pin Boot	x 4

19936 Caliper Pin Boot Kit

BREMBO

IVECO DAILY 40 mm



TTT No	Description	Pcs.
18077	Pin Boot	x 4

19010 Caliper Pin Repair Kit
93161759

BREMBO

IVECO DAILY



TTT - auto

TTT No	Description	Pcs.
19011	Caliper Pin - Ø 22 / 90 mm	x 2
19012	Pin Bolt - M12 x 1.75 / 110 mm	x 2
19013	Pin Boot	x 4
15707	Grease (White) - 5 g	x 2

19077 Caliper Pin Repair Kit
42559195

BREMBO

IVECO DAILY



TTT - auto

TTT No	Description	Pcs.
19078	Caliper Pin - Ø 22 / 98 mm	x 2
19079	Pin Bolt - M12 x 1.75 / 120 mm	x 2
19013	Pin Boot	x 4
15707	Grease (White) - 5 g	x 2

19952 Caliper Hand Brake Piston
Ø 60 / 65 mm

BREMBO



TTT - auto

19953 Caliper Piston
Ø 60 / 65 mm

BREMBO



TTT - auto

19982 Caliper Hand Brake Piston
Ø 60 / 75 mm

BREMBO



TTT - auto

19983 Caliper Piston
Ø 60 / 75 mm

BREMBO



TTT - auto

19445 Caliper Adjuster Kit

BREMBO



TTT - auto

TTT No	Description	Pcs.
19446	Adjusting Bolt - 16 / 68 mm	x 1
19447	Adjusting Nut	x 1

19416 Caliper Adjusting Bolt 16 / 79 mm

BREMBO



TTT - auto

19419 Caliper Adjusting Washer

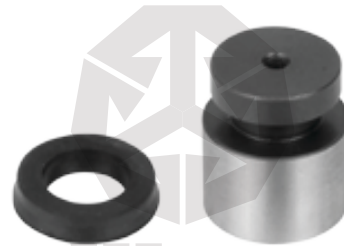
BREMBO



TTT - auto

19505 Caliper Tappet Kit

BREMBO

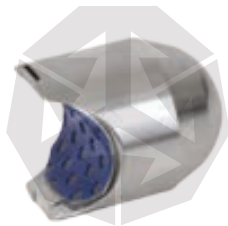


TTT - auto

TTT No	Description	Pcs.
19506	Tappet - Ø 34 / 39 mm	x 1
19507	Seal	x 1

19660 Caliper Knuckle With Bush Ø 31.90 mm

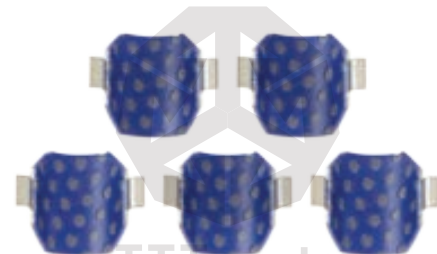
BREMBO



TTT - auto

19679 Caliper Knuckle Bush Set

BREMBO

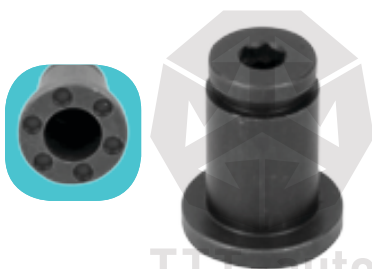


TTT - auto

TTT No	Description	Pcs.
19661	Caliper Knuckle Bush	x 5

19528 Caliper Adjusting Tappet 39.35 mm

BREMBO



TTT - auto

19534 Caliper Adjusting Tappet 50.75 mm

BREMBO



TTT - auto

19411 Caliper Adjusting Spring **BREMBO**



TTT-auto

19905 Caliper Thrust Bearing **BREMBO**



TTT-auto

19610 Caliper Circlips Kit **BREMBO**



TTT-auto

19895 Caliper O-Ring Kit **BREMBO**



TTT-auto

TTT No	Description		Pcs.
19611	Circlip (Big)	x	1
19613	Circlip (Small)	x	1

TTT No	Description		Pcs.
19896	O-Ring (Big)	x	1
19897	O-Ring (Medium)	x	1
19898	O-Ring (Small)	x	1

19229 Caliper Pad Retainer Kit **BREMBO**
93161757

IVECO DAILY
IVECO EUROCARGO



TTT-auto

19885 Caliper Bolt Set **BREMBO**



TTT-auto

TTT No	Description		Pcs.
19886	Bolt - M12 x 1.25 / 45 mm	x	4

15707 Grease (White) - For Brass Bush



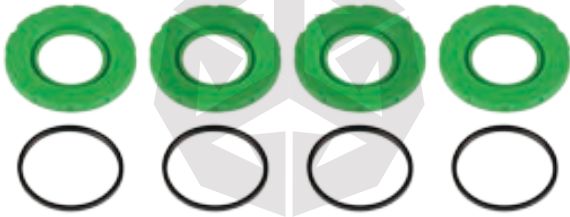
15718 Grease (Green) - For Rubber Bush



18094 Caliper Boot Kit
12 999 199VT

WABCO
450 F-Ö

IVECO DAILY



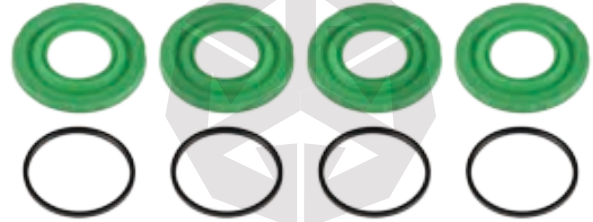
TTT - auto

TTT No	Description		Pcs.
18096	Piston Boot	x	4
18097	Piston Seal	x	4

18276 Caliper Boot Kit
12 999 116VT

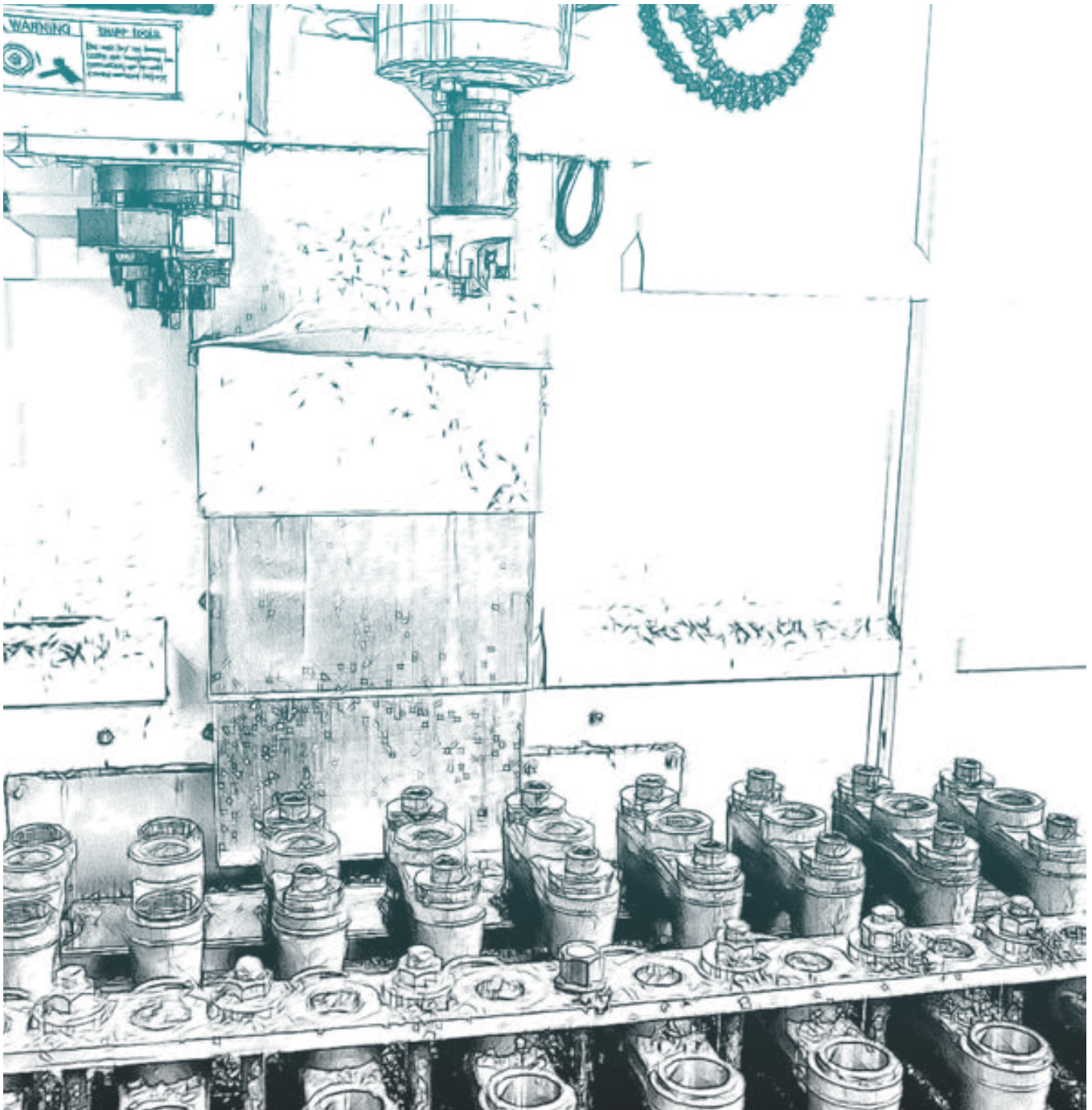
WABCO
456 F-Ö

DAF F 45/55
IVECO ZETA/TURBOZETA



TTT - auto

TTT No	Description		Pcs.
18277	Piston Boot	x	4
18278	Piston Seal	x	4



HYDRAULIC
CALIPER

www.ttt-caliper.com



for **Z-cam** brake

14832

Adjuster Kit - L
ST4014
ST4023
A164061
68192565

MERITOR
Z-CAM



TTT-auto

14831

Adjuster Kit - R
ST4013
ST4024
A164062
68192566

MERITOR
Z-CAM



TTT-auto

14842

Pinion (Long) - L
A164052
68191510

MERITOR
Z-CAM

New Model



TTT-auto

14841

Pinion (Long) - R
A164055
68191511

MERITOR
Z-CAM

New Model



TTT-auto

18032

Pinion (Short) - L

MERITOR
Z-CAM

Old Model



TTT-auto

18031

Pinion (Short) - R

MERITOR
Z-CAM

Old Model



TTT-auto

15076

Manual Adjuster (Long) - L

MERITOR
Z-CAM

New Model



TTT-auto

15075

Manual Adjuster (Long) - R

MERITOR
Z-CAM

New Model



TTT-auto

16026

Manual Adjuster (Short) - L

MERITOR
Z-CAM

Old Model



TTT-auto

16025

Manual Adjuster (Short) - R

MERITOR
Z-CAM

Old Model



TTT-auto

16027 Manual Override Kit - L
SP8548

MERITOR
Z-CAM

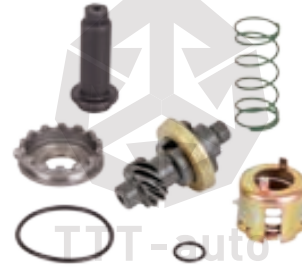
Old Model



16028 Manual Override Kit - R
SP8549

MERITOR
Z-CAM

Old Model



14840 Cross Shaft Assembly
SP8540
ST4018
68191219

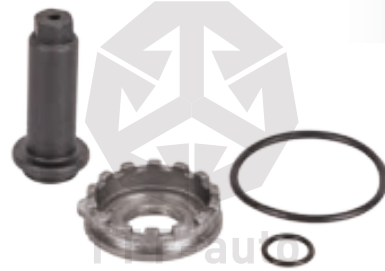
MERITOR
Z-CAM



15077 Manual Override Stem Kit
ST1033

MERITOR
Z-CAM

Old Model



15079 Manual Override Stem Kit
ST1035
ST4022

MERITOR
Z-CAM

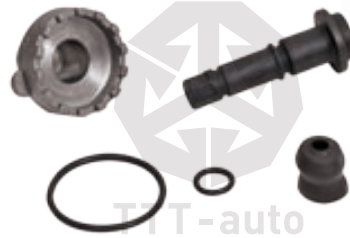
New Model



15078 Manual Override Stem Kit
ST1034

MERITOR
Z-CAM

New Model



15080 Abutment Pin
137075
68192487
68200150

MERITOR
Z-CAM



15081 Strut
137074
64225252

MERITOR
Z-CAM



16029 Gasket
166063
68191066

MERITOR
Z-CAM



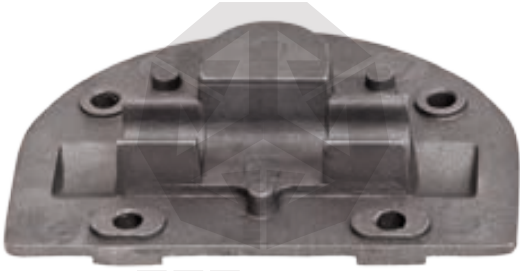
15083 Seal Kit
ST1053
ST4025

MERITOR
Z-CAM



15082 Cover Plate
166062
68191065

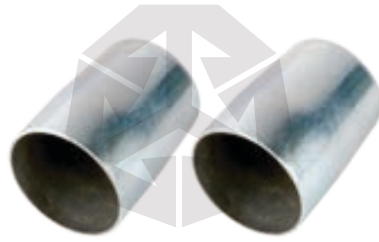
MERITOR
Z-CAM



TTT - auto

15356 Tappet Cover Kit
SP7984
ST4019

MERITOR
Z-CAM



TTT - auto

TTT No	Description	Pcs.
16032	Tappet Cover	x 2

15095 Adjuster Lock Kit - L
ST1036
ST4021
68191540

MERITOR
Z-CAM



TTT - auto

15094 Adjuster Lock Kit - R
ST1037
ST4020
68191541

MERITOR
Z-CAM



TTT - auto

14999 C Spring
167090
68192115

MERITOR
Z-CAM



TTT - auto

15084 Dirt Excluder
68192410

MERITOR
Z-CAM



TTT - auto

15357 Adjuster Stem
68191930

MERITOR
Z-CAM



TTT - auto

15707 Grease (White) - For Brass Bush



16981 Complete Repair Kit - L

**MERITOR
Z-CAM**

VOLVO F10 / F12 / F16
VOLVO FL10 / FL12
VOLVO BUS B10B / B10L / B12



TTT No	Description	Pcs.			
14999	C Spring	x 1	15084	Dirt Excluder	x 2
14832	Adjuster Kit - L	x 1	15081	Brake Adjusting Pin	x 2
14831	Adjuster Kit - R	x 1	15083	Seal Kit	x 1
14840	Cross Shaft Assembly	x 1	16027	Manual Override Kit - L	x 1

16982 Complete Repair Kit - R

**MERITOR
Z-CAM**

VOLVO F10 / F12 / F16
VOLVO FL10 / FL12
VOLVO BUS B10B / B10L / B12



TTT No	Description	Pcs.			
14999	C Spring	x 1	15084	Dirt Excluder	x 2
14832	Adjuster Kit - L	x 1	15081	Brake Adjusting Pin	x 2
14831	Adjuster Kit - R	x 1	15083	Seal Kit	x 1
14840	Cross Shaft Assembly	x 1	16028	Manual Override Kit - R	x 1

www.ttt-caliper.com



for **wedge** brake

17060 Brake Adjuster Repair Kit

WABCO PERROT
Ø 360 SIMPLEX



TTT No	Description	Pcs.
15396	Brake Adjusting Guide Pawl	x 2
17016	Brake Adjusting Plunger - Ø 41,50 x 49,00 mm	x 2
15391	Brake Adjusting Actuator Upper - Ø 36 x 21,50 mm	x 2
15392	Brake Adjusting Actuator Lower - Ø 32 x 18,30 mm	x 2
15395	Brake Adjusting Bolt	x 2
15393	Brake Adjusting Plunger Seal	x 2
17178	Brake Adjusting Washer	x 2
17179	Brake Adjusting Ring	x 2
15707	Grease (White) - 5 g	x 2

17277 Brake Adjuster Repair Kit 12 999 418VT

WABCO PERROT
Ø 360 SIMPLEX



TTT No	Description	Pcs.
15395	Brake Adjusting Bolt	x 2
15393	Brake Adjusting Plunger Seal	x 2
17178	Brake Adjusting Washer	x 2
17179	Brake Adjusting Ring	x 2
15707	Grease (White) - 5 g	x 2

17841 Brake Adjuster Kit

WABCO PERROT
Ø 360 SIMPLEX



TTT No	Description	Pcs.
17016	Brake Adjusting Plunger - Ø 41,50 x 49,00 mm	x 1
15391	Brake Adjusting Actuator Upper - Ø 36 x 21,50 mm	x 1
15392	Brake Adjusting Actuator Lower - Ø 32 x 18,30 mm	x 1
15395	Brake Adjusting Bolt	x 1
17178	Brake Adjusting Washer	x 1
17179	Brake Adjusting Ring	x 1
15707	Grease (White) - 5 g	x 1

16016 Brake Adjuster Repair Kit 12 999 403VT

WABCO PERROT
Ø 360 SIMPLEX



TTT No	Description	Pcs.
15396	Brake Adjusting Guide Pawl	x 2
15391	Brake Adjusting Actuator Upper - Ø 36 x 21,50 mm	x 2
15392	Brake Adjusting Actuator Lower - Ø 32 x 18,30 mm	x 2

17727 Brake Adjuster Repair Kit 12 999 135VT

WABCO PERROT
Ø 360 SIMPLEX



TTT No	Description	Pcs.
15396	Brake Adjusting Guide Pawl	x 2
17728	Brake Adjusting Actuator Upper - Ø 36 x 18,50 mm	x 2
15392	Brake Adjusting Actuator Lower - Ø 32 x 18,30 mm	x 2

17297 Brake Wedge Set
12 999 402VT

WABCO PERROT
Ø 360 SIMPLEX



TTT No	Description	Pcs.
17016	Brake Adjusting Plunger - Ø 41,50 x 49,00 mm	x 2
14654	Brake Wedge	x 1
15707	Grease (White) - 5 g	x 2

17958 Brake Shoe
Return Spring
13 301 191

WABCO PERROT
Ø 360 SIMPLEX



17969 Brake Shoe
Return Spring
13 301 212

WABCO PERROT
Ø 360 SIMPLEX



17971 Brake
Hold-Down Clip
13 304 029

WABCO PERROT
Ø 360 SIMPLEX



17814 Brake Adjuster
Complete Repair Kit

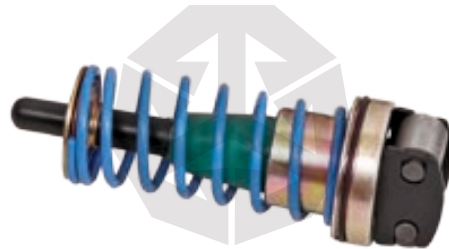
WABCO PERROT
Ø 360 SIMPLEX



TTT No	Description	Pcs.
17060	Brake Adjuster Repair Kit	x 1
14654	Brake Wedge	x 1
17958	Brake Shoe Return Spring	x 1
17969	Brake Shoe Return Spring	x 1
15707	Grease (White) - 5 g	x 2

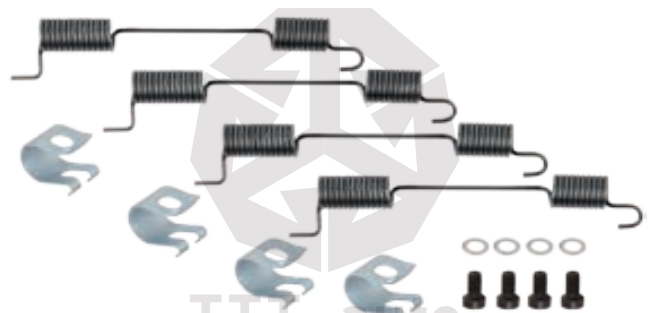
14654 Brake Wedge

WABCO PERROT
Ø 360 SIMPLEX



17970 Brake Shoe
Return Spring Kit
12 999 443VT

WABCO PERROT
Ø 360 SIMPLEX



TTT No	Description	Pcs.
17969	Brake Shoe Return Spring	x 4
17971	Brake Hold-Down Clip	x 4

14922 Brake Adjuster Repair Kit

WABCO PERROT
Ø 410 SIMPLEX



TTT No	Description	Pcs.
15396	Brake Adjusting Guide Pawl	x 2
15394	Brake Adjusting Plunger - Ø 43,90 x 61,00 mm	x 2
17739	Brake Adjusting Actuator Upper - Ø 38 x 21,50 mm	x 2
15392	Brake Adjusting Actuator Lower - Ø 32 x 18,30 mm	x 2
15395	Brake Adjusting Bolt	x 2
15393	Brake Adjusting Plunger Seal	x 2
17178	Brake Adjusting Washer	x 2
17179	Brake Adjusting Ring	x 2
15707	Grease (White) - 5 g	x 2

17316 Brake Adjuster Repair Kit 12 999 404VT

WABCO PERROT
Ø 410 SIMPLEX



TTT No	Description	Pcs.
15393	Brake Adjusting Plunger Seal	x 2
17178	Brake Adjusting Washer	x 2
17179	Brake Adjusting Ring	x 2

17738 Brake Adjuster Repair Kit 12 999 411VT

WABCO PERROT
Ø 410 SIMPLEX



TTT No	Description	Pcs.
15396	Brake Adjusting Guide Pawl	x 2
17739	Brake Adjusting Actuator Upper - Ø 38 x 21,50 mm	x 2
15392	Brake Adjusting Actuator Lower - Ø 32 x 18,30 mm	x 2

17869 Brake Adjuster Kit

WABCO PERROT
Ø 410 SIMPLEX



TTT No	Description	Pcs.
15394	Brake Adjusting Plunger - Ø 43,90 x 61,00 mm	x 1
17739	Brake Adjusting Actuator Upper - Ø 38 x 21,50 mm	x 1
15392	Brake Adjusting Actuator Lower - Ø 32 x 18,30 mm	x 1
15395	Brake Adjusting Bolt	x 1
17178	Brake Adjusting Washer	x 1
17179	Brake Adjusting Ring	x 1
15707	Grease (White) - 5 g	x 1

17317 Brake Wedge Set 12 999 410VT

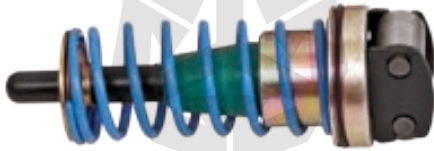
WABCO PERROT
Ø 410 SIMPLEX



TTT No	Description	Pcs.
15394	Brake Adjusting Plunger - Ø 43,90 x 61,00 mm	x 2
14971	Brake Wedge	x 1
15707	Grease (White) - 5 g	x 2

14971 Brake Wedge

WABCO PERROT
Ø 410 SIMPLEX



TTT-auto

17999 Brake Adjuster Complete Repair Kit

WABCO PERROT
Ø 410 SIMPLEX



TTT-auto

TTT No	Description	Pcs.
14922	Brake Adjuster Repair Kit	x 1
14971	Brake Wedge	x 1
17958	Brake Shoe Return Spring	x 1
17959	Brake Shoe Return Spring	x 1
15707	Grease (White) - 5 g	x 2

17958 Brake Shoe Return Spring 13 301 191

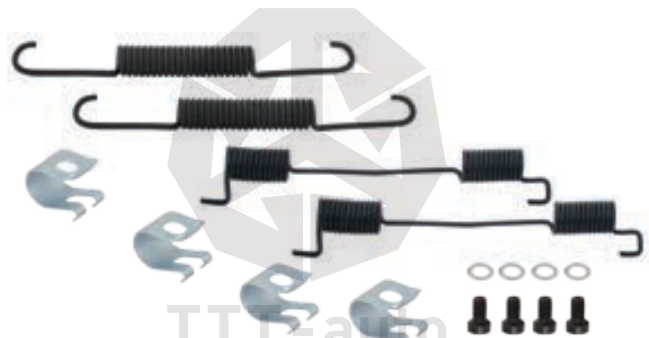
WABCO PERROT
Ø 410 SIMPLEX



TTT-auto

17982 Brake Shoe Return Spring Kit 12 999 573VT

WABCO PERROT
Ø 410 SIMPLEX



TTT-auto

TTT No	Description	Pcs.
17958	Brake Shoe Return Spring	x 2
17959	Brake Shoe Return Spring	x 2
17971	Brake Hold-Down Clip	x 4

17959 Brake Shoe Return Spring

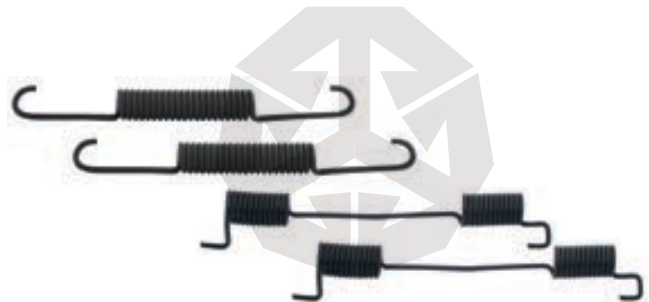
WABCO PERROT
Ø 410 SIMPLEX



TTT-auto

17983 Brake Shoe Return Spring Kit

WABCO PERROT
Ø 410 SIMPLEX



TTT-auto

TTT No	Description	Pcs.
17958	Brake Shoe Return Spring	x 2
17959	Brake Shoe Return Spring	x 2

17971 Brake Hold-Down Clip 13 304 029

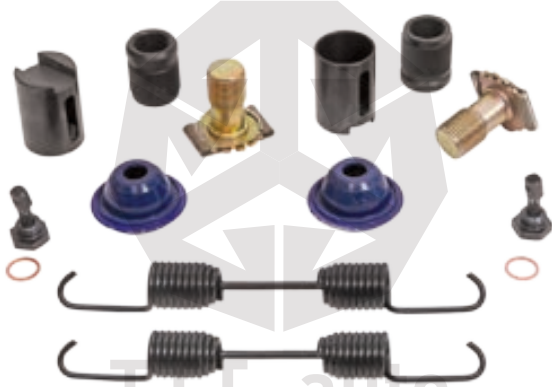
WABCO PERROT
Ø 410 SIMPLEX



TTT-auto

14980 Brake Adjuster
Repair Kit
RBSK0502B.M

MERITOR
Ø 394 / 381
DUPLEX



TTT No	Description	Pcs.
15468	Brake Adjusting Guide Pawl	x 2
15469	Brake Adjusting Actuator	x 2
15470	Brake Adjusting Plunger	x 2
15471	Brake Adjusting Bolt	x 2
15472	Brake Adjusting Plunger Seal	x 2
15476	Brake Shoe Return Spring	x 2
15707	Grease (White) - 5 g	x 2

16030 Brake Adjuster
Repair Kit
RBSK0251B.M

MERITOR
Ø 394 / 381
DUPLEX



TTT No	Description	Pcs.
15472	Brake Adjusting Plunger Seal	x 4
15473	Brake Anchor Plunger Seal	x 4

17346 Brake Anchor
Plunger Set - L
RBSK0248B.M

MERITOR
Ø 394 / 381
DUPLEX



TTT No	Description	Pcs.
17367	Brake Adjusting Guide Screw	x 2
17348	Brake Anchor Plunger- Ø 35 mm - L	x 2
15473	Brake Anchor Plunger Seal	x 2

17347 Brake Anchor
Plunger Set - R
RBSK0248B.M

MERITOR
Ø 394 / 381
DUPLEX



TTT No	Description	Pcs.
17367	Brake Adjusting Guide Screw	x 2
17349	Brake Anchor Plunger - Ø 35 mm - R	x 2
15473	Brake Anchor Plunger Seal	x 2

14972 Brake Wedge

MERITOR
Ø 394 / 381
DUPLEX



14973 Brake Wedge
A2247U47
A2247D1018

MERITOR
Ø 394 / 381
DUPLEX



16017 Brake Adjuster
Repair Kit
RBSK0549B.M

MERITOR
Ø 394 / 381
DUPLEX

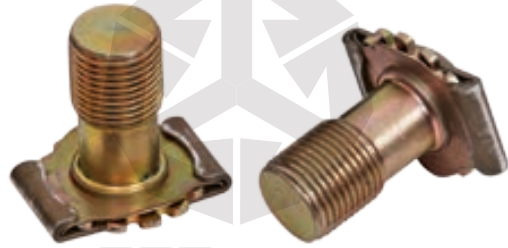


TTT - auto

TTT No	Description	Pcs.
15468	Brake Adjusting Guide Pawl	x 1
15469	Brake Adjusting Actuator	x 1
15470	Brake Adjusting Plunger	x 1

16018 Brake Adjuster
Repair Kit

MERITOR
Ø 394 / 381
DUPLEX



TTT - auto

TTT No	Description	Pcs.
15471	Brake Adjusting Bolt	x 2

17437 Brake Collet Nut
Short
165017

MERITOR
Ø 394 / 381
DUPLEX



TTT - auto

17438 Brake Collet Nut
Long
165005

MERITOR
Ø 394 / 381
DUPLEX



TTT - auto

17429 Brake Hold
Down Clip
2257D108
2257M1001

MERITOR
Ø 394 / 381
DUPLEX



TTT - auto

17307 Brake Wedge Set
RBSK0250B.M

MERITOR
Ø 394 / 381
DUPLEX

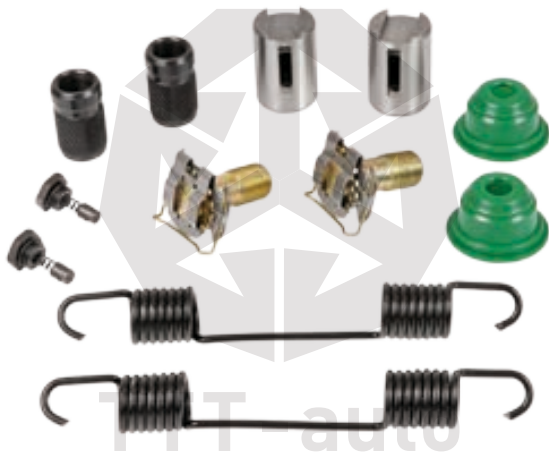


TTT - auto

TTT No	Description	Pcs.
14973	Brake Wedge	x 2
15707	Grease (White) - 5 g	x 1

17399 Brake Adjuster Repair Kit

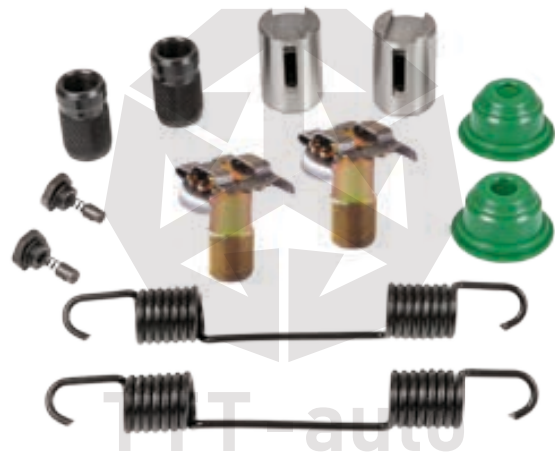
MERITOR
Ø 410 DUPLEX



TTT No	Description	Pcs.
17392	Brake Adjusting Guide Pawl	x 2
17393	Brake Adjusting Actuator	x 2
17394	Brake Adjusting Plunger	x 2
17369	Brake Adjusting Bolt	x 2
15358	Brake Adjusting Plunger Seal	x 2
17395	Brake Shoe Return Spring	x 2
15707	Grease (White) - 5 g	x 2

18206 Brake Adjuster Repair Kit

MERITOR
Ø 410 DUPLEX



TTT No	Description	Pcs.
17392	Brake Adjusting Guide Pawl	x 2
17393	Brake Adjusting Actuator	x 2
17394	Brake Adjusting Plunger	x 2
15361	Brake Adjusting Bolt	x 2
15358	Brake Adjusting Plunger Seal	x 2
14924	Brake Shoe Return Spring	x 2
15707	Grease (White) - 5 g	x 2

17409 Brake Adjuster Repair Kit

MERITOR
Ø 410 DUPLEX



TTT No	Description	Pcs.
17392	Brake Adjusting Guide Pawl	x 4
17393	Brake Adjusting Actuator	x 4
17369	Brake Adjusting Bolt	x 4
15358	Brake Adjusting Plunger Seal	x 4

18208 Brake Adjuster Repair Kit RBSK2030.M

MERITOR
Ø 410 DUPLEX



TTT No	Description	Pcs.
15358	Brake Adjusting Plunger Seal	x 4

18209 Brake Adjuster Repair Kit

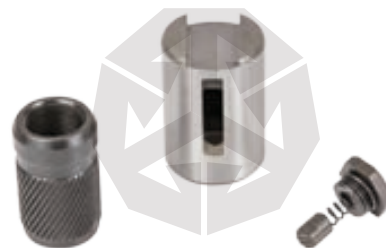
MERITOR
Ø 410 DUPLEX



TTT No	Description	Pcs.
15358	Brake Adjusting Plunger Seal	x 4
17285	Brake Anchor Plunger Seal	x 4

17416 Brake Adjuster Repair Kit

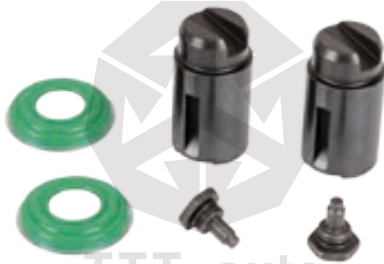
MERITOR
Ø 410 DUPLEX



TTT No	Description	Pcs.
17392	Brake Adjusting Guide Pawl	x 1
17393	Brake Adjusting Actuator	x 1
17394	Brake Adjusting Plunger	x 1

17308 Brake Anchor
Plunger Set - L
RBSK1600.M
RBSK1607.M

MERITOR
Ø 410 DUPLEX



TTT No	Description		Pcs.
17284	Brake Adjusting Guide Screw	x	2
17298	Brake Anchor Plunger - L	x	2
17285	Brake Anchor Plunger Seal	x	2

17309 Brake Anchor
Plunger Set - R
RBSK1599.M
RBSK1606.M

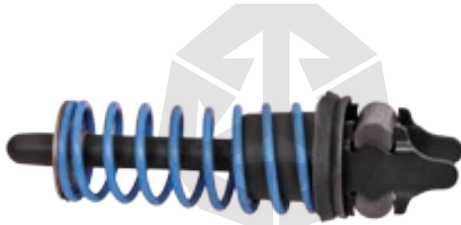
MERITOR
Ø 410 DUPLEX



TTT No	Description		Pcs.
17284	Brake Adjusting Guide Screw	x	2
17299	Brake Anchor Plunger - R	x	2
17285	Brake Anchor Plunger Seal	x	2

14970 Brake Wedge
A2247L1000

MERITOR
Ø 410 DUPLEX



18198 Brake Collet Nut
Long
1227K1337

MERITOR
Ø 410 DUPLEX



17964 Brake Shoe
Return Spring

MERITOR
Ø 410 DUPLEX



17395 Brake Shoe
Return Spring
2258Y1507

MERITOR
Ø 410 DUPLEX



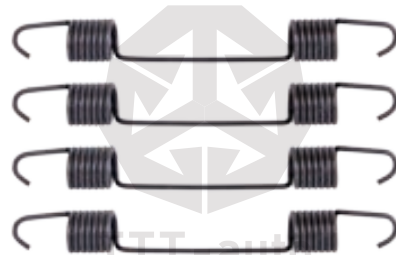
14924 Brake Shoe
Return Spring

MERITOR
Ø 410 DUPLEX



18207 Brake Shoe
Return Spring Kit
RBSK1586.M

MERITOR
Ø 410 DUPLEX



TTT No	Description		Pcs.
14924	Brake Shoe Return Spring	x	4

14899 Brake Adjuster Repair Kit

MERITOR
Ø 410 SIMPLEX



TTT No	Description	Pcs.
15367	Brake Adjusting Guide Pawl	x 2
15359	Brake Adjusting Actuator	x 2
15360	Brake Adjusting Plunger	x 2
15361	Brake Adjusting Bolt	x 2
15358	Brake Adjusting Plunger Seal	x 2
15479	Brake Shoe Return Spring	x 1
15483	Brake Shoe Return Spring	x 1
15707	Grease (White) - 5 g	x 2

18108 Brake Adjuster Repair Kit

MERITOR
Ø 410 SIMPLEX



TTT No	Description	Pcs.
17392	Brake Adjusting Guide Pawl	x 2
18083	Brake Adjusting Actuator	x 2
18084	Brake Adjusting Plunger	x 2
18085	Brake Adjusting Bolt	x 2
15358	Brake Adjusting Plunger Seal	x 2
18086	Brake Shoe Return Spring	x 1
18087	Brake Shoe Return Spring	x 1
15707	Grease (White) - 5 g	x 2

17373 Brake Adjuster Repair Kit

MERITOR
Ø 410 SIMPLEX



TTT No	Description	Pcs.
15367	Brake Adjusting Guide Pawl	x 4
15359	Brake Adjusting Actuator	x 4
17369	Brake Adjusting Bolt	x 4
15358	Brake Adjusting Plunger Seal	x 4

17428 Brake Wedge Set

MERITOR
Ø 410 SIMPLEX



TTT No	Description	Pcs.
14970	Brake Wedge	x 2
15707	Grease (White) - 5 g	x 1

14970 Brake Wedge

MERITOR
Ø 410 SIMPLEX



16031 Brake Adjuster Repair Kit

MERITOR
Ø 410 SIMPLEX



TTT No	Description	Pcs.
15367	Brake Adjusting Guide Pawl	x 1
15359	Brake Adjusting Actuator	x 1
15360	Brake Adjusting Plunger	x 1

17953 Brake Anchor Plunger
Angle 5° - L
1259A1015

MERITOR
Ø 410 SIMPLEX



TTT-auto

17954 Brake Anchor Plunger
Angle 5° - R
1259Z1014

MERITOR
Ø 410 SIMPLEX



TTT-auto

17948 Brake Anchor Plunger
Angle 15° - L

MERITOR
Ø 410 SIMPLEX



TTT-auto

17949 Brake Anchor Plunger
Angle 15° - R

MERITOR
Ø 410 SIMPLEX



TTT-auto

18151 Brake Anchor
Plunger Kit - L
RBSK1481.M

MERITOR
Ø 410 SIMPLEX



TTT-auto

18152 Brake Anchor
Plunger Kit - R
RBSK1482.M

MERITOR
Ø 410 SIMPLEX



TTT-auto

TTT No	Description	Pcs.
17953	Brake Anchor Plunger - Angle 5° - L	x 1
17948	Brake Anchor Plunger - Angle 15° - L	x 1

TTT No	Description	Pcs.
17954	Brake Anchor Plunger - Angle 5° - R	x 1
17949	Brake Anchor Plunger - Angle 15° - R	x 1

18198 Brake Collet Nut
Long
1227K1337

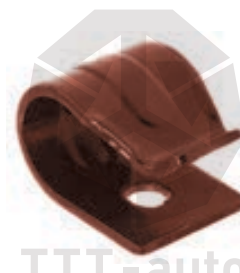
MERITOR
Ø 410 SIMPLEX



TTT-auto

18164 Brake Hold-Down Clip
225781004

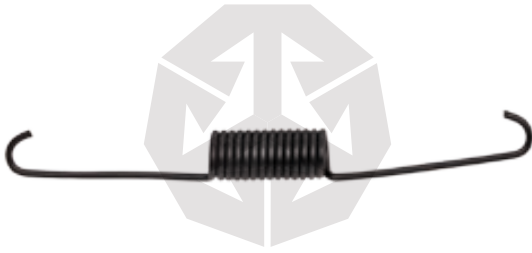
MERITOR
Ø 410 SIMPLEX



TTT-auto

15479 Brake Shoe
Return Spring
2258D1122

MERITOR
Ø 410 SIMPLEX



TTT - auto

15483 Brake Shoe
Return Spring
2258F1306

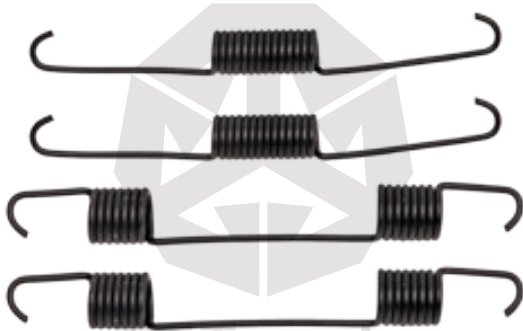
MERITOR
Ø 410 SIMPLEX



TTT - auto

18719 Brake Shoe
Return Spring Kit
RBSK2128.M

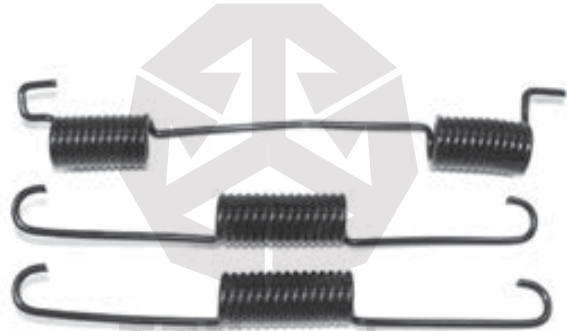
MERITOR
Ø 410 SIMPLEX



TTT - auto

15053 Brake Shoe
Return Spring Kit

MERITOR
Ø 410 SIMPLEX



TTT - auto

TTT No	Description	Pcs.
15479	Brake Shoe Return Spring	x 2
15483	Brake Shoe Return Spring	x 2

15707 Grease (White) - For Brass Bush



15718 Grease (Green) - For Rubber Bush





index

AFTER MARKET MANUFACTURER CROSS LIST

OEM NO	TTT NO	OEM NO	TTT NO	OEM NO	TTT NO
KNORR		K000687	13438	K004100	14820
II14525	15707	K000690	20223	K004168	14820
II32793	15718	K000696	13442	K004206	20185
II17934004	14989	K000697	14709	K004679	20205
II19712004	13496	K000698	14708	K004680	20202
II30679004	13496	K000884	16809	K005606	20220
II179320062	14952	K000935	14705	K007475	20212
II179320065	15003	K000944	13333	K010603	13439
II189250061	20237	K000945	14969	K010604	13333
II197120061	13496	K000946	17641	K010606	13333
II197140062	14946	K001105	20224	K010765	20245
II197140063	15656	K001274	14941	K010766	14820
II197270061	20200	K001275	20211	K010813	15600
II197330062	14977	K001278	20230	K011117	14920
II197370061	20242	K001300	13439	K011479	20241
II304010061	20237	K001301	14541	K012619	20201
II304130065	15003	K001470	19240	K012912	15908
II310370066	13442	K001494	20228	K013007	15842
II322030061	20232	K001497	20186	K015308	20209
II328040061	20228	K001502	20237	K015378	20208
II328090061	14713	K001505	20200	K017707	13440
II328090062	16471	K001507	20242	K021963	15718
II334320061	20242	K001510	20232	K028451	17710
II339680062	13433	K001520	20242	K092079	13439
II339830064	17757	K001521	20199	Z001548	14690
II344730063	15660	K001525	20213	K031844K50	14920
II350470061	15515	K001528	20241	K046498K50	20215
II350470062	13435	K001529	20217	K046523K50	15888
II350470063	15484	K001530	20218	K048371K50	14751
II358510062	15475	K001532	13873	K048389K50	14750
II368470064	14530	K001691	19212	K048396K50	15841
II369100062	13433	K001692	19213	K048399K50	17442
II370760065	15006	K001915	14750	K052379K50	20216
II39769F0062	14755	K001919	20245	K052759K50	16658
II39769F0063	14533	K001925	17710	K067417K50	16808
K000026	20221	K001926	20223	K097826K50	13498
K000027	20222	K001927	20227	K099604K50	14750
K000028	20226	K001928	13501	K105599K55	19280
K000029	14670	K001929	13498	K108002K50	18747
K000129	13496	K002311	16810	K108004K50	15888
K000132	13435	K002313	20233	K108814K50	20232
K000133	16676	K002314	20234	BENDIX	
K000358	20219	K002716	14941	381.391	17505
K000365	14888	K002845	16808	381.413	14939
K000366	13439	K002872	19211	381.419	19060
K000375	13441	K002979	20224	802119	13439
K000421	17441	K003902	16144	802455	14690
K000472	13440	K004099	20210	802643	16144



AFTER MARKET MANUFACTURER CROSS LIST

OEM NO	TTT NO	OEM NO	TTT NO	OEM NO	TTT NO
803114	14820	68323818	14711	MCK1041	14839
1133692	19075	68323828	20323	MCK1048	16459
MERITOR		68324199	20312	MCK1050	16622
1229V4468	14798	68324208	14601	MCK1065	14741
1250R1006	14797	68324331	19202	MCK1066	14741
2297J6692	16179	68324660	20336	MCK1067	14734
31932043	20317	68324660 S	20306	MCK1086	14779
31932070	17019	68324769	17822	MCK1087	16837
68130034	14769	68324854	14710	MCK1088	16249
68130055	19202	68324890	15577	MCK1102	14606
68130144	14766	68324899	15504	MCK1103	14733
68130151	15573	68325093	15592	MCK1104	14770
68130152	15574	68325094	15591	MCK1111	14872
68130153	15583	68325303	20335	MCK1112	14871
68130183	15584	68325303 S	20305	MCK1113	14870
68320133	14567	68325306	20338	MCK1116	16985
68320507	14574	68325306 S	20308	MCK1118	16999
68320550	17447	68325336	16619	MCK1127	16442
68320814	20318	68915080	17024	MCK1128	16441
68320912	13518	68915081	17024	MCK1129	17020
68321272	13518	68966091Z	15707	MCK1134	16984
68321281	20328	68322297PK10	16875	MCK1135	16998
68321441	15062	68322300PK10	17940	MCK1138	20347
68321502	17018	68322655PK10	16871	MCK1138 S	20307
68321507	17019	68323746PK10	16862	MCK1139	14597
68321508	17019	68324854PK10	16863	MCK1140	15405
68321617	20340	BDA443	20317	MCK1151	16181
68321617 S	20310	BDA445	20340	MCK1152	16180
68321678	13446	BDA445 S	20310	MCK1153	19233
68322297	15442	DSB5L	16208	MCK1154	17232
68322485	17017	DSB5R	16209	MCK1155	19270
68322562	16745	DSB6L	16228	MCK1160	16969
68322563	16746	DSB6R	16229	MCK1161	16227
68322655	14975	KIT225200	17980	MCK1167	17820
68322774	14966	KIT225200 L	17981	MCK1168	16440
68322778	20315	KIT225201	17998	MCK1169	16440
68322849	20315	KIT225210	16289	MCK1170	17740
68322900	14735	KIT225221	17997	MCK1171	14811
68323027	17447	KIT225233	17996	MCK1172	18180
68323215	20320	MBA100	16983	MCK1174	16289
68323501	17649	MBA101	17448	MCK1185	20320
68323662	14763	MBA103	17813	MCK1191	17760
68323673	20311	MBA104	17737	MCK1192	14815
68323719	16289	MBA105	17819	MCK1193	18195
68323722	16619	MBA108	17723	MCK1209	17972
68323746	15576	MBA112	17822	MCK1210	17973
68323751	14640	MCK1021	16181	MCK1211	17712
68323784	14602	MCK1022	16180	MCK1212	17713

AFTER MARKET MANUFACTURER CROSS LIST

OEM NO	TTT NO	OEM NO	TTT NO	OEM NO	TTT NO
MCK1213	13519	SJ4001	14744	640 222 920 2	19520
MCK1236	14829	SJ4011	13519	640 222 928 2	19520
MCK1237	14828	SJ4021	15533	640 225 921 2	13482
MCK1238	14890	SJ4022	17283	640 225 926 2 - L	15485
MCK1239	14828	SJ4031	15028	640 225 926 2 - R	13485
MCK1240	17249	SJ4032	16427	640 319 922 2	18222
MCK1243	15405	SJ4052	18700	640 322 926 2	17061
MCK1244	14849	SJ4053	17051	640 322 927 2	17151
MCK1252	20336	SJ4061	15025	640 322 928 2	17198
MCK1252 S	20306	SJ4073	15455	640 322 931 2 - L	17161
MCK1253	15588	SJ4074	13455	640 322 931 2 - R	17162
MCK1254	14930	SJ4076	14770	640 322 932 2	17149
MCK1262	17607	SJ4077	17052	640 322 938 2	18210
MCK1263	17649	SJ4078	16427	640 322 941 2	18235
MCK1264	17368	SJ4094	16984	640 322 942 2	18220
MCK1289	14716	SJ4096	16042	640 322 945 2	18394
MCK1290	16218	SJ4097	16041	640 322 946 2	18393
MCK1291	16219	SJ4098	16620	640 322 951 2	18215
MCK1292	16911	SJ4102	14872	HALDEX	
MCK1293	16912	SJ4103	14871	87405	18530
MCK1294	16440	SJ4105	14847	87406	18545
MCK1295	17820	SJ4107	16998	87408	18538
MCK1297	20335	SJ4108	16078	87680	18615
MCK1297 S	20305	SJ4109	14846	89541	18550
MCK1298	15460	SJ4110	14870	89723	18611
MCK1299	14836	SJ4111	16618	89794	18500
MCK1309	15014	SJ4112	14850	89924	18679
MCK1310	16010	SJ4113	15457	89925	18543
MCK1311	16619	SJ4114	13457	89926	18525
MCK1317	15590	SJ4117	15062	89927	18555
MCK1319	20338	ST1156	14613	90673	18471
MCK1319 S	20308	ST1157	14606	90693	18525
MCK1322	20335	WABCO		91011	18505
MCK1322 S	20305	12 999 580VT	14809	91012	18510
MCK1323	17780	12 999 677VT	16993	91013	18520
MCK1336	18743	12 999 678VT	16538	91014	18521
MCK1337	18744	12 999 699VT	13449	91019	18522
MCK1344	15914	12 999 702	13449	91216	18692
MCK1352	19202	12 999 704VT	14630	91818	18546
MCK1368	20348	12 999 729VT	16050	92731	16997
MCK1368 S	20307	12 999 733VT	17490	93299	18955
MCK1375	14797	12 999 734VT	17480	93497	18546
MCK1384	20339	12 999 738VT	14801	94286	18697
MCK1384 S	20309	12 999 746VT	15005	94659	18718
MCK1398	16042	12 999 776	13482	94660	18951
MCK1399	16041	640 175 920 2	17610	94661	18691
MST1504	19202	640 195 936 2 - L	14961	94662	18738
SJ1212	14583	640 195 936 2 - R	14960	94663	18612



AFTER MARKET MANUFACTURER CROSS LIST

OEM NO	TTT NO	OEM NO	TTT NO	OEM NO	TTT NO
94664	16988	SJ1032	19615	A164055	14841
94665	16989	SJ1033	18745	A164061	14832
94892	18952	SJ1034	18710	A164062	14831
95397	18020	SJ1035	18740	SP7984	15356
95398	18053	SJ1037	18730	SP8540	14840
95399	18051	SJ1091	19870	SP8548	16027
95523	18546	SJ1092	19890	SP8549	16028
96202	18998	SJ1214	19940	ST1033	15077
BPW		SJ1215	19900	ST1034	15078
02.3704.69.00	19311	SP8563	19650	ST1035	15079
02.5015.78.16	19304	SP8564	18665	ST1036	15095
02.5016.70.16	19303	SP8565	18670	ST1037	15094
02.5679.98.40	19309	SP8566	18668	ST1038	15076
03.001.00.35.0	19302	SP8567	18675	ST1039	15075
03.001.57.01.0	19317	SP8570	19600	ST1053	15083
03.112.33.13.0	19307	SP8597	18735	ST4013	14831
03.112.33.14.0	19308	SP8902	18750	ST4014	14832
03.121.30.15.0	19023	SP9669	18680	ST4018	14840
03.127.18.02.0	19021	SP9670	18690	ST4019	15356
03.127.18.03.0	19071	ST1153	18740	ST4020	15094
03.310.11.19.0	19306	ST1154	18755	ST4021	15095
05.001.00.41.0	19301	WABCO HYDRAULIC		ST4022	15079
05.001.00.45.0	19310	12 999 116VT	18276	ST4023	14832
05.127.18.04.0	19071	12 999 199VT	18094	ST4024	14831
05.130.07.07.0	19022	MERITOR Z-CAM		ST4025	15083
05.130.08.27.0	19305	137074	15081	MERITOR Ø 394 / 381 DUPLEX	
05.801.50.90.0	19070	137075	15080	165005	17438
09.801.05.81.0	19025	166062	15082	165017	17437
09.801.07.61.0	19300	166063	16029	1205B1666	15472
09.801.07.62.0	19330	167090	14999	1205B2004	15473
09.801.07.63.0	19020	64225252	15081	1205C1667	15473
09.801.07.63.1	19070	68020145	16026	1205C2005	15472
09.801.07.68.1	19033	68020146	16025	2257D108	17429
MERITOR HYDRAULIC		68191065	15082	2257M1001	17429
31320085	19903	68191066	16029	2258H580	15476
68130045	18712	68191219	14840	2297J4820	17348
68320021	19893	68191510	14842	2297K4821	17349
68320057	18714	68191511	14841	3280S8131	15469
68320070	19873	68191540	15095	3280Y8163	15470
68320293	19892	68191541	15094	A164002	15471
68320294	19872	68191930	15357	A2247U47	14973
68320554	18711	68192115	14999	A1779M195	17367
68320555	18713	68192410	15084	A2247D1018	14973
68320564	19943	68192487	15080	A2297L3158	15471
68320567	19942	68192565	14832	A22297U4597	15468
68321603	19902	68192566	14831	RBSK0248B.M	17346
SJ1022	18660	68200150	15080	RBSK0249B.M	17347
SJ1030	18720	A164052	14842	RBSK0250B.M	17307

AFTER MARKET MANUFACTURER CROSS LIST

OEM NO	TTT NO	OEM NO	TTT NO	OEM NO	TTT NO
RBSK0251B.M	16030	13 301 212	17969		
RBSK0502B.M	14980	13 304 029	17971		
RBSK0549B.M	16017	WABCO PERROT Ø 410 SIMPLEX			
MERITOR Ø 410 DUPLEX		12 999 404VT	17316		
1205E2683	17285	12 999 410VT	17317		
1205X2000	15358	12 999 411VT	17738		
1227K1337	18198	12 999 573VT	17982		
2258Y1507	17395	13 301 191	17958		
2297H8354	17298	13 304 029	17971		
2297J8356	17299				
3280T8964	17393				
3280W8369	17394				
A12297S8287	17392				
A2247L1000	14970				
A3280K8435	17284				
RBSK1586.M	18207				
RBSK1599.M	17309				
RBSK1600.M	17308				
RBSK1606.M	17309				
RBSK1607.M	17308				
RBSK2030.M	18208				
MERITOR Ø 410 SIMPLEX					
1227K1337	18198				
1259A1015	17953				
1259Z1014	17954				
225781004	18164				
2258D1122	15479				
2258F1306	15483				
3280V8368	15359				
A22297E5907	15361				
A2247L1000	14970				
A2297S8287	15361				
A2297U4597	15367				
RBSK1255.M	17428				
RBSK1407.M	16031				
RBSK1408.M	14899				
RBSK1481.M	18151				
RBSK1482.M	18152				
RBSK1573.M	17428				
RBSK2051.M	17428				
RBSK2128.M	18719				
WABCO PERROT Ø 360 SIMPLEX					
12 999 135VT	17727				
12 999 402VT	17297				
12 999 403VT	16016				
12 999 418VT	17277				
12 999 443VT	17970				
13 301 191	17958				



VEHICLE MANUFACTURER CROSS LIST

OEM NO	TTT NO	OEM NO	TTT NO	OEM NO	TTT NO
MERCEDES		000 421 8386	18755	35.40311.2205	15405
000 420 0054	17730	000 423 0062	13518	35.50307.5526	20311
000 420 0150	14530	000 423 0082	14583	35.50307.5607	16837
000 420 0250	17730	000 423 0316	15888	35.50307.5636	16249
000 420 0276	13519	000 423 0606	20222	35.50307.5642	16862
000 420 0476	18740	000 423 0663	17550	35.50307.5700	16289
000 420 0682	13333	000 423 1006	20216	35.50310.9496	14606
000 420 0782	14888	000 423 2574	16808	35.50310.9502	14613
000 420 0882	15780	000 423 4687	14670	35.50310.9531	17940
000 420 1082	13435	001 420 2883	13433	36.50802.0005	20218
000 420 1182	15475	001 420 5283	14713	36.50822.6000	13441
000 420 1282	13433	001 420 6683	15515	36.50822.6001	13496
000 420 1344	18735	001 988 2810	14530	36.50822.6005	13496
000 420 1382	15006	002 420 0383	13442	36.50822.6008	13435
000 420 2182	13435	050 121 0163	20237	81.50800.6023	16050
000 420 2282	14888	050 121 0167	14952	81.50802.6007	14583
000 420 2382	13439	050 121 0168	13333	81.50802.6008	13519
000 420 2482	15780	050 121 0655	16471	81.50802.6009	13519
000 420 2582	16676	050 121 0656	14714	81.50802.6015	20340
000 420 2682	13496	050 121 0657	13333	81.50802.6015 S	20310
000 420 2982	13441	050 121 1047	15475	81.50802.6016	14613
000 420 3015	13433	050 121 1048	14541	81.50802.6017	14606
000 420 3044	14574	050 121 1049	13496	81.50802.6020	14606
000 420 3248	16144	050 121 1763	13433	81.50802.6021	14606
000 420 3482	13440	050 121 2199	14530	81.50802.6022	14733
000 420 3982	13333	098 010 2610	13433	81.50802.6023	20347
000 420 4082	13439	356 421 0046	17447	81.50802.6024	14597
000 420 4182	13501	405 420 0076	17480	81.50802.6025	15405
000 420 4282	13498	405 420 0083	17490	81.50802.6026	14716
000 420 4382	17710	627 420 0186	15780	81.50802.6029	13498
000 420 4682	14750	627 420 0188	13496	81.50810.0003	17940
000 420 4882	13333	89200340751	15356	81.50810.0005	14975
000 420 4982	13439	89200340793	14842	81.50812.0009	17018
000 420 5082	14820	89200340794	14841	81.50812.0011	17019
000 421 0850	17730	89200340815	15084	81.50822.0001	17447
000 421 1106	20221	1892003407221	14831	81.50822.0003	13518
000 421 1206	20226	1892003407231	14832	81.50822.0006	13446
000 421 1306	20228	1892003407251	15081	81.50822.0007	17607
000 421 1463	18750	1892003407351	14840	81.50822.0010	17447
000 421 1606	20219	1892003407511	15356	81.50822.0014	16289
000 421 2006	20223	1892003407911	15094	81.50822.6003	14809
000 421 2506	20211	1892003407931	14842	81.50822.6004	14989
000 421 3006	20227	1892003407941	14841	81.50822.6005	13435
000 421 3106	20223	1892003407951	14999	81.50822.6006	14946
000 421 3706	20217	MAN		81.50822.6007	13333
000 421 3806	20218	06.01771.8107	16289	81.50822.6008	14713
000 421 5706	20215	33.50307.5665	17249	81.50822.6009	13433
000 421 6174	17446	35.40311.2182	14597	81.50822.6010	15660

VEHICLE MANUFACTURER CROSS LIST

OEM NO	TTT NO	OEM NO	TTT NO	OEM NO	TTT NO
81.50822.6019	13440	8600569	15358	STRMCK1160	16969
81.50822.6019	14750	8603384	15082	STRMCK1161	16227
81.50822.6020	13439	8603385	16029	STRMCK1238	14890
81.50822.6021	14670	8603390	14831	STRMCK1253	15588
81.50822.6022	13333	8603391	14832	STRMCK1254	14930
81.50822.6023	13441	8603393	15081	STRMCK1299	14836
81.50822.6024	14969	8603403	14840	STRSP9669	18680
81.50822.6025	14541	8604735	15078	STRSP9670	18690
81.50822.6026	13501	8604736	15095	ZG002950002	14779
81.50822.6027	13498	8604737	15094	ZG070160007	14930
81.50822.6031	13439	8605966	14842	SCANIA	
81.50822.6032	13333	8605967	14841	1307967	14820
81.50822.6033	15600	8607130	14999	1322394	14820
81.50822.6034	14750	8701359	15084	1385210	14727
81.50822.6036	14751	8701361	15079	1390425	20242
81.50822.6037	14750	8701362	15083	1390426	13435
81.50822.6038	17061	N1011014128	13433	1390427	13433
81.50822.6039	17151	N1011015462	14952	1390429	15003
81.50822.6040	17198	N1011015566	16050	1390430	14989
81.50822.6041 - L	17161	N2509990107	17249	1415148	13873
81.50822.6041 - R	17162	N2509990127	15357	1415149	15475
81.50822.6042	17149	N2509990129	14842	1415150	14713
81.50822.6043	16808	N2509990131	14841	1415151	13333
81.50822.6044	14750	N2509990143	15084	1415152	14969
81.50901.0015	16862	N2509990221	16969	1415154	15475
85.50001.3424	15078	N2509990223	16227	1415515	15475
89.19933.6424	13433	N2509990263	14710	1430862	15707
1321228	15082	N2509996031	16027	1430863	15718
1321234	16029	N2509996033	16028	1439494	14541
1322422	16027	N2509996035	15095	1444207	13873
1322439	16028	N2509996037	15079	1472919	13873
1336762	15095	N2509996047	15094	1477675	14750
1336791	15357	N2509996050	14840	1477676	13873
1341829	15079	N2509996051	15075	1477678	13873
1350884	14842	N2509996054	14831	1504808	17641
1350890	14841	N2509996057	14832	1506735	20242
1376916	15356	N2900000084	15082	1527631	14750
1386099	15094	N2900000088	14999	1527632	20245
1398023	14999	N2900000152	15082	1723414	13333
1422829	14840	N2900006011	15356	1723416	13440
1422835	15083	N2965026008	16249	1723417	13439
1427340	15084	N2965026017	15083	1723418	14801
1428741	15076	N2966010119	16029	1736000	14727
1428758	15075	N2970060001	15081	1743421	13333
1449350	15077	ST1205B1666	15472	1746824	13333
1472809	14831	ST1205C1667	15473	1748131	14820
1494055	14832	STR68324854	14710	1748132	14801
2068777	15078	STRMCK1116	16985	1756388	20245



VEHICLE MANUFACTURER CROSS LIST

OEM NO	TTT NO	OEM NO	TTT NO	OEM NO	TTT NO
1756389	13333	2286677	19280	1448912	14989
1756390	14920	2292232	16808	1448913	13333
1759811	13333	2305913	18020	1448914	14713
1787220	14727	2305914	18053	1448915	13433
1798063	13435	2305915	18051	1487339	14597
1872780	17610	2379695	20205	1489197	16985
1873983	14669	2379696	20202	1489198	16984
1877247	15707	2379697	20201	1489989	14811
1886091	17641	2396937	13482	1489991	14815
1906776	13873	2396938	17610	1505883	17317
1906779	14920	2432073	19520	1505884	17738
2021750	13873	SP1037022	16471	1505885	17277
2064260	16808	SP1037040	13333	1505890	14801
2087143	13873	SP1037053	13439	1517354	16050
2092714	18051	SP1037062	14750	1517407	14809
2092720	18020	SP1037063	16808	1518475	17297
2093081	13482	SP1037103	20211	1518476	16016
2119426	18053	SP1037126	20222	1519363	14630
2121591	20221	SP1037141	20223	1520908	14952
2121592	20222	SP1037156	20199	1522034	14606
2121593	20223	SP1037157	14820	1522063	14583
2121594	20224	SP1037161	20221	1522081	18670
2121595	20228	DAF		1522160	18665
2121596	20242	865965	16993	1522161	18675
2121597	20199	865966	16538	1522162	18680
2121598	20213	868303	16289	1522163	18690
2121599	20227	868378	14890	1522166	16998
2121600	20210	871372	20222	1522167	16078
2121641	15841	876051	16219	1522168	14846
2121642	16471	876052	16911	1522169	14850
2121643	13433	876053	16912	1522170	14836
2121644	13435	884368	15588	1522173	18750
2121645	14755	884504	14969	1522174	18735
2121646	14750	884506	13439	1522175	18668
2121647	14820	906419	16144	1522179	18740
2121648	14751	907356	20201	1522184	14770
2121650	13501	1142142	13433	1522185	14779
2121839	14541	1142144	14530	1522192	18700
2121840	14530	1142146	14969	1524607	17052
2121858	13439	1198153	13433	1527854	14820
2121859	13333	1198154	13433	1603322	20232
2121868	14969	1258802	17428	1603326	13438
2121869	16144	1436853	13449	1603327	13438
2198394	13439	1439493	14969	1616894	13439
2198395	14820	1440505	15005	1622785	13439
2198528	17610	1448600	15660	1623221	13333
2198529	13482	1448910	14530	1628065	13482
2198536	16144	1448911	13496	1639100	14750

VEHICLE MANUFACTURER CROSS LIST

OEM NO	TTT NO	OEM NO	TTT NO	OEM NO	TTT NO
1675766	16227	1607502	16025	3092270	14846
1675768	16969	1695050	17367	3092272	14710
1689313	13439	1695051	15476	3092274	14966
1689314	20241	1695493	14973	3092276	17368
1689883	16440	1696218	15472	3092277	14769
1690420	13333	1696219	15473	3092280	16746
1694347	15082	1696444	14999	3092281	16745
1694348	16029	1696445	15080	3092282	14975
1694352	14832	1696446	15081	3092283	16618
1694353	14831	1696448	15084	3092329	14850
1694354	15084	1696449	15082	3092763	15457
1694355	15081	1696450	16029	3092764	13457
1694362	14999	1696453	14840	3092765	15062
1694364	15079	1696537	15471	3095622	14711
1694365	15095	1696924	14842	3095626	14734
1694366	15094	1696925	14841	3095627	16984
1694367	15356	1697452	19873	3095628	14836
1694368	14840	1697458	19893	3095640	16459
1694370	15083	1698208	19872	3095642	14828
1694793	14842	1698346	15080	3095646	16622
1694794	14841	1698588	15358	3095669	14839
1847716	14750	2111686	17019	3096768	16998
1929023	16808	3090356	18680	3096769	14836
B230397	14952	3090851	18670	3097092	14999
FBU1076	18276	3090852	18668	3097099	14832
GINAF		3090937	18665	3097100	14831
OG0000073240	20241	3090938	18675	3097299	15080
VOLVO		3090939	18680	3097526	16427
270526	19650	3090940	18690	3097542	14770
270527	18665	3090954	15084	3098108	14770
270531	18675	3090964	15079	3098109	17052
271163	18680	3090997	15076	3098110	15455
272857	16017	3090998	15075	3098111	13455
272904	15356	3092253	20315	3098113	16427
272905	15083	3092255	16984	3098271	14840
272906	16027	3092256	16998	3098272	15356
272907	16028	3092258	16042	3098273	15094
272908	14831	3092259	16041	3098274	15095
272909	14832	3092260	16078	3098275	15079
272910	14840	3092261	16620	3098276	14832
276096	15077	3092262	14829	3098277	14831
276097	15095	3092263	14828	3098290	15083
276098	15094	3092264	14929	6770266	17429
276099	15078	3092265	14872	8550880	14770
276100	15079	3092266	14871	8550881	15533
1081819	15076	3092267	14870	8550893	15028
1081820	15075	3092268	14836	8550895	16427
1606775	16026	3092269	14847	8550977	14831



VEHICLE MANUFACTURER CROSS LIST

OEM NO	TTT NO	OEM NO	TTT NO	OEM NO	TTT NO
8550978	14832	N8890035	15707	5001 858 717	14779
10552713	17018	N8893322	20218	5001 858 718	14849
20706973	14710	N8893326	14541	5001 858 719	16289
20706975	15576	N8893342	13439	5001 858 722	15005
20706977	16875	N8893365	13333	5001 860 791	15405
20716935	14763	AM68322655	14975	5001 860 792	14849
20716949	14689	AMMCK1116	16985	5001 866 384	20335
20777352	14710	AMMCK1134	16984	5001 866 384 S	20305
20965086	17649	AMMCK1160	16969	5001 866 398	15014
21109753	16042	AMMCK1161	16227	5001 866 400	16010
21109754	16041	AMMCK1171	14811	5001 866 415	16875
21109755	16078	AMMCK1174	16289	5001 866 486	16289
21454874	15005	AMMCK1192	14815	5001 866 626	13482
85102092	16999	AMMCK1238	14890	5001 866 988	20338
85102093	14870	AMMCK1243	15405	5001 866 988 S	20308
85102094	16985	AMMCK1253	15588	5001 866 989	15460
85102095	14872	AMMCK1254	14930	5001 868 113	14999
85102096	14871	AMMCK1290	16218	5001 868 117	14831
85102097	16442	AMMCK1291	16219	5001 868 118	14832
85102098	16441	AMMCK1292	16911	5001 868 119	15084
85102099	14815	AMMCK1293	16912	5001 868 120	15081
85102099	17020	AMMCK1299	14836	5001 868 121	14840
85103129	14770	RENAULT		5001 868 122	16029
85103891	16998	503128759	17607	5001 868 125	14842
85103892	16984	503128760	17940	5001 868 126	14841
85104827	16181	503129553	17972	5001 868 127	15082
85104828	16180	503129554	17973	5006 018 435	15082
85107718	14836	5001 014 679	18735	5006 018 436	16029
85107912	15405	5001 014 701	18665	5006 018 437	14831
85107913	14597	5001 019 718	20340	5006 018 438	14832
85107958	16289	5001 019 718 S	20310	5006 018 439	15084
85108166	13482	5001 822 994	14744	5006 018 440	15081
85109445	17813	5001 822 997	13518	5006 018 450	15357
85109886	20335	5001 822 998	14744	5006 018 457	15356
85109886 S	20305	5001 829 892	18735	5006 018 458	14840
85109887	20338	5001 829 894	18668	5006 018 459	15083
85109887 S	20308	5001 829 895	18665	5006 018 474	14842
85109889	15590	5001 831 176	14583	5006 018 480	14999
85109890	15460	5001 836 607	17283	5006 028 414	14597
85109891	15014	5001 837 006	14770	5006 028 416	16862
85109892	16010	5001 845 385	18700	5006 028 417	14975
85109893	16619	5001 845 386	15455	5006 046 765	16026
85109894	17822	5001 845 387	13455	5006 046 766	16025
85109975	16042	5001 845 969	17723	5021 133 447	13333
85109976	16041	5001 849 886	14613	5021 133 459	13433
85109977	16078	5001 852 880	14630	5021 135 101	14952
85109978	16442	5001 856 319	15457	5021 135 225	13433
85109979	16441	5001 856 320	13457	5021 139 150	16969

VEHICLE MANUFACTURER CROSS LIST

OEM NO	TTT NO	OEM NO	TTT NO	OEM NO	TTT NO
5021 139 151	16227	IVECO		42537942	17428
5021 170 485	17277	2992341	15707	42538002	13441
5021 170 487	16993	2992342	15718	42538004	13496
5021 170 488	16538	2995922	16440	42538063	17983
5021 170 882	16969	2996557	17409	42538065	18108
5021 170 883	16227	7980405	17346	42540274	15084
5021 170 885	14811	7980406	17347	42540290	15079
5021 170 886	14815	7980407	17307	42541341	13333
5021 171 536	20221	7980408	16030	42541412	13440
5021 171 537	20242	7984216	17349	42541413	13439
5021 171 538	20224	7984217	17348	42541464	15780
5021 171 539	20227	8121307	17969	42548197	18040
5021 171 540	20232	8121308	17958	42552052	15405
5021 171 542	20228	8121308	17958	42552622	13439
5021 171 545	16808	8121441	17971	42553530	13333
5021 171 547	16808	8121441	17971	42555201	15405
5021 171 548	13439	8124032	18276	42555416	18040
5021 174 076	18691	8124737	18670	42558429	16031
5021 174 162	18718	8124815	17727	42558430	14899
5021 174 163	18525	42480056	15476	42558432	18206
5021 174 174	18951	42480058	15469	42559195	19077
5021 174 180	18718	42480059	15471	42559512	17399
5021 174 943	14939	42480060	15470	42562830	17399
5021 175 165	13496	42480062	14973	42562855	13441
5021 175 190	15718	42488484	17429	42562856	13440
5021 175 206	13435	42488735	15468	93159285	19943
5021 175 226	14530	42488736	15472	93161028	18730
5021 175 268	20222	42488737	15473	93161029	18740
5021 175 269	14670	42488739	17367	93161034	18745
5021 175 286	14969	42491950	14980	93161035	18660
5021 175 294	14541	42491974	16017	93161036	18720
5021 175 296	20213	42530548	19903	93161037	18710
5021 177 423	17249	42531676	15361	93161040	19900
5021 179 952	14597	42531677	15358	93161181	18094
5021 181 996	13873	42534122	19010	93161189	17505
5021 202 776	16985	42536192	18207	93161192	14939
5021 202 828	14890	42536194	17428	93161244	19940
5021 202 850	16440	42536195	17416	93161245	19900
5021 203 245	14980	42536197	18206	93161254	17277
5021 203 714	16027	42536957	13449	93161256	17738
5021 210 478	20223	42537363	17309	93161257	17316
7400 276 097	15095	42537364	17308	93161260	17970
7400 276 098	15094	42537365	17309	93161267	17297
7401 081 819	15076	42537366	17308	93161268	16016
7401 081 820	15075	42537451	14755	93161353	17307
7403 090 964	15079	42537758	15361	93161471	18745
7421 454 874	15005	42537841	17285	93161472	18740
7485 109 893	16619	42537884	18209	93161473	18710



VEHICLE MANUFACTURER CROSS LIST

OEM NO	TTT NO	OEM NO	TTT NO	OEM NO	TTT NO
93161475	18660	3346433R1	15357	017947	13442
93161552	18665	3346437R1	14999	018071	13873
93161560	19060	3346439R91	15079	018077	14713
93161621	17428	3346440R91	15095	917682	13873
93161622	14899	3346441R91	15094	1008450	14820
93161623	16031	3346442R91	15356	1008451	13439
93161625	18208	3346443R91	14840	1008453	16144
93161627	18719	3346447R1	14841	1012988	15707
93161757	19229	3346448R1	14842	1020777	14801
93161759	19010	3346449R1	14841	1044273	14969
93161768	17317	3348783R91	14832	1052335	13433
93161843	19075	3348784R91	14831	1068119	13482
93161847	19935	3351848R1	15472	1068160	17610
93161863	18151	NEOPLAN		1104514	13483
93161864	18152	11014050	14713	1104515	17610
93161872	17982	11014051	13333	1105585	16808
93162048	13433	11015462	14952	1105586	14820
93162049	14713	11015473	14541	1105587	16144
93162050	13333	11015531	13496	1199858	19520
93162075	18730	11015565	13433	KASSBOHRER SETRA	
93162113	18719	11015566	16050	6274200050	16471
93162114	14899	82134101	14952	6274200150	13433
93162192	19920	82135301	13435	6274200186	13496
93162193	18160	82139200	16050	6274200188	13496
93163852	18198	TERBERG		6274210086	14541
93163852	18198	22101331	16471	8285388441	14583
93191505	18720	22101460	13333	8285388449	13518
97131439	13435	22101555	14750	8285388450	17447
97131442	13435	22101556	13439	82854415090	17019
97131443	13333	22101577	14820	82855155630	13435
97131548	13496	22101579	16808	82855154680	13333
503128758	15405	SCHMITZ CARGOBULL		82855154690	13435
503131342	16289	015418	13433	89199336424	16471
503512819	13482	015419	13333	89199390714	13433
503512832	13333	015420	13496	BPW	
5006028004	20221	015422	14713	01.303.88.55.0	20205
5006028005	13440	015649	14713	01.303.88.56.0	20201
5006028046	13439	016698	14527	01.303.88.57.0	20202
5006028066	14530	016703	13333	02.0313.13.00	20224
5006028067	16808	016786	13333	02.0313.14.00	20185
5006028068	14541	016787	14530	02.0313.15.00	20186
5006028069	14969	017155	14713	02.0314.06.00	14529
5006046989	13333	017160	13509	02.0315.34.00	14520
5801109377	13433	017197	13441	02.0315.35.00	14537
16352S1	15081	017264	13333	02.0315.36.00	14521
3346423R1	15082	017665	13873	02.0315.56.00	14509
3346429R91	14832	017695	14523	02.0315.60.00	14519
3346430R91	15084	017696	13439	02.0316.97.00	14528

VEHICLE MANUFACTURER CROSS LIST

OEM NO	TTT NO	OEM NO	TTT NO	OEM NO	TTT NO
02.0601.19.00	14682	09.801.02.61.0	13433	3 434 3852 01	18738
02.0608.14.00	14507	09.801.02.63.0	13333	3 434 3852 02	18738
02.0608.15.00	14517	09.801.02.66.0	13496	3 434 3854 00	18691
02.0611.05.00	14518	09.801.02.76.0	13496	3 434 3854 01	18691
02.0611.06.00	14508	09.801.02.87.0	13433	3 434 3854 02	18510
02.1011.24.00	14683	09.801.02.88.0	16471	3 434 3855 01	18543
02.1011.25.00	14524	09.801.02.97.0	13442	3 434 3855 02	18525
02.1040.40.00	15707	09.801.05.81.0	19025	3 434 3856 00	18691
02.1040.41.00	15718	09.801.06.11.0	14713	3 434 3856 01	18522
02.1410.19.00	14522	09.801.06.24.0	13441	3 434 3857 00	18691
02.1410.21.00	13436	09.801.06.25.0	16144	3 434 3857 02	18951
02.1410.22.00	14868	09.801.06.31.0	13873	3 434 3858 00	18691
02.1827.06.00	14693	09.801.06.32.0	13439	3 434 3858 01	18951
02.1827.07.00	14536	09.801.06.33.0	13440	3 434 3861 00	18020
02.1827.08.00	14669	09.801.06.34.0	14523	3 434 3862 00	18053
02.2400.11.00	13509	09.801.06.90.0	15050	3 434 3863 00	18051
02.3704.69.00	19311	09.801.06.91.0	14708	4 387 0016 00	15707
02.5015.72.15	14527	09.801.07.05.0	13501	4 387 0017 00	15718
02.5015.73.15	14535	09.801.07.06.0	13498	4 434 4013 00	14509
02.5015.76.15	14624	09.801.07.61.0	19300	5 317 0021 00	13433
02.5015.78.16	19304	09.801.07.62.0	19330	5 317 0026 00	13496
02.5016.70.16	19303	09.801.07.63.0	19020	5 317 0027 00	14541
02.5677.98.00	14694	09.801.07.63.1	19070	5 317 0028 00	13333
02.5679.98.40	19309	09.801.07.68.1	19033	5 387 0015 03	15707
02.5683.74.00	14684			5 387 0022 00	15718
03.001.00.35.0	19302	3 424 3813 00	14708	8 443 4371 000	13442
03.001.57.01.0	19317	3 434 3202 00	18530	8 531 7002 100	16471
03.112.33.13.0	19307	3 434 3203 00	18691	8 531 7002 200	16471
03.112.33.14.0	19308	3 434 3204 00	18538	8 531 7002 500	14969
03.121.30.15.0	19023	3 434 3801 00	14530	8 531 7002 600	13496
03.127.18.02.0	19021	3 434 3802 00	14705	8 531 7002 800	13333
03.127.18.03.0	19071	3 434 3803 00	15484	8 531 7003 400	20228
03.303.88.55.0	20205	3 434 3804 00	13333		
03.303.88.56.0	20201	3 434 3805 00	13442	6500509	13439
03.303.88.57.0	20202	3 434 3806 00	14533	6500700	13482
03.310.11.19.0	19306	3 434 3807 00	13496		
03.340.12.29.0	14547	3 434 3809 00	13496		
05.001.00.41.0	19301	3 434 3812 00	13440	S-29152-5	14690
05.001.00.45.0	19310	3 434 3814 00	13439	S-29152-6	13439
05.127.18.04.0	19071	3 434 3815 00	14820	S-29152-9	14820
05.130.07.07.0	19022	3 434 3816 00	14669	S-30560-2	18543
05.130.08.27.0	19305	3 434 3817 00	15029	S-30560-3	18718
05.801.50.90.0	19070	3 434 3820 00	16808	S-30560-4	18525
09.801.02.49.0	20200	3 434 3827 01	14801	S-30560-5	18955
09.801.02.51.0	13435	3 434 3828 00	13482	S-30560-6	18520
09.801.02.57.0	16471	3 434 3829 00	17610	S-30560-12	18692
09.801.02.58.0	15484	3 434 3851 01	18718	S-30560-13	18952
09.801.02.60.0	14713	3 434 3852 00	18530	S-30560-14	18951
				S-35303-4	19520

SAF

KÖGEL

HENDRICKSON



VEHICLE MANUFACTURER CROSS LIST

OEM NO	TTT NO	OEM NO	TTT NO	OEM NO	TTT NO
SCHWARZMÜLLER		BMC		DENNIS	
41072	16471	9P901178	15082	192753	14980
55190	14530	9P901234	15357	192754	17346
68326	14750	9P901265	14999	192755	17347
70098	20199	9P905487	15083	192756	17307
82044	20224	9P910411	15095	192757	16030
100519	20209	9P910412	15094	193100	16440
101736	20223	9P910414	14831	193101	18180
106820	13435	9P911107	14832	193102	18195
106822	20227	9P911469	15476	193107	15914
106827	16808	OTOKAR		DENNIS	
LECINENA		12E0008228AA	18094	608893-35	15081
120019500012	14530	13C3305630AA	16676	610497-27	15081
120019500049	13333	13C3305634AA	13501	613859-3	15082
120019500050	13439	13C3305635AA	13498	613859-4	16029
FRUEHAUF SMB		13C3508276AA	13449	613859-7	14840
LSA0086001	13433	16H0008316AA	20223	613859-9	15081
M100667	16993	16H0008318AA	16808	613859-10	15084
M100675	16538	16M0008240AA	14670	613859-11	14831
M100918	13433	16M0008242AA	20232	613859-12	15356
M100926	14713	16N0008241AA	13333	613859-13	14832
M100942	13333	FORD OTOSAN		613859-15	15079
M100969	13496	16M0008240AA	14670	613859-17	15357
M100977	14541	16M0008242AA	20232	613859-19	14999
M100985	15718	MACK		613859-23	15083
M100993	15707	261112999704VT	14630	613859-28	15095
M91000201	13496	261112999746VT	15005	613859-29	14842
M91004702	20213	YORK		613860-4	15094
M91004801	16808	79787365	14801	613860-6	14841
M91004802	14750	NISSAN		646464-6	17024
M91004901	14670	69026590	15358	653563-1	14583
M91005001	13496	69028410	15476	653563-8	15083
M91005201	13439	69028770	15471	653563-15	16029
M91006201	13439	69028780	15472	653996-3	14841
M91006202	13333	69028800	17429	653996-7	15082
AWD		69029720	18700	653996-8	16029
A4022499	17307	69029730	15457	653996-12	14831
A4023357	17346	69029750	16181	653996-13	14832
A4027680	15082	69029760	15028	653996-14	15084
A4027686	15084	69029770	15025	653996-15	15079
A4027691	14841	69029810	15062	653996-16	15356
A4027695	15083	69029910	17051	653996-17	15095
A4027696	14840	69030020	13457	653996-19	14999
A4027697	15356	69030040	16180	653996-20	15084
A4027698	15079	411209X625	13482	653996-21	14840
A4027699	15094	BREDAMENARIBUS		653996-22	15083
A4027705	14842	192733	15476	653996-25	14842
A4027706	15095	192752	16017	653997-3	15094
				653997-5	14841

VEHICLE MANUFACTURER CROSS LIST

OEM NO	TTT NO	OEM NO	TTT NO	OEM NO	TTT NO
654812-15	17297	Y03019410	15476	0501211763	13433
654812-16	16016	Y07088205	15471	0501211882	20340
654812-17	17277	Y07100312	14836	0501211882 S	20310
654812-18	17316	LEYLAND		0501211883	14613
655079-3	17447	LBSJ4114	13457	0501212199	14530
655079-5	17447	XBU0684	14842	0501213102	16808
655079-10	14583	XBU0685	14841	0501213104	14670
655079-11	13519	XBU0889	16029	0501213105	13496
655377-3	16427	XBU0910	14832	0501213121	13496
655377-6	16181	XBU0911	14831	0501213164	14606
655377-7	14770	XBU1066	15457	0501213361	13442
655377-8	15028	RABA		0501213688	16808
655377-9	15028	650458	14574	0501213689	13439
655377-10	15533	650459	14583	0501213690	14969
655377-14	15062	665135	14832	0501213698	14541
655378-4	16180	665145	15082	0501213709	20217
656564-3	16427	665151	15084	0501213710	20218
656564-4	14770	665152	15081	0501213741	20221
656564-5	17024	665153	14999	0501214701	20237
656564-10	15455	746871	13518	0501215022	14597
656565-2	13455	VAN HOOL		0501215060	13333
659742-2	13482	10610921	17347	0501215083	13439
CAMCK1152	16180	10682221	15718	0501215220	15405
CASJ4113	15457	10770779	14606	0501215397	15600
CASJ4114	13457	11031119	20230	0501215510	20230
DEP100072	17052	11031121	13333	0501217472	14920
DEP100073	15457	11057545	14969	0501218609	14751
DEP100074	13457	11099621	13441	0501218610	14750
DEP100080	16427	11469228	14750	0501298159	17307
PACCAR		634321172	15476	0501298164	16030
868304	16862	634321204	16017	0501313854	14574
871054	14930	634321222	15471	0501314109	13518
1489071	14975	634321223	15472	0501314950	15476
1522058	15405	634321225	15470	0501316391	15084
9500643	14710	634321228	15473	0501318076	13446
9500931	15460	634321229	15468	0501318077	17940
AAU6457	15081	634321230	17367	0501319945	15718
FBU6782	14980	634321231	14973	0501319947	15707
PPMST4013	14831	634321233	17429	0501321591	16289
PPMST4014	14832	N508026022	14613	0501322343	16862
TP02006093	15079	ZF		FORD	
TP02006094	15095	0501208810	14583	6C462045AA	17284
TP02006095	14842	0501209883	14583	6C462A105AB	17392
TP02006096	14841	0501210167	14952	6C462A170AA	17299
TP02006268	15077	0501210655	16471	6C462A170BA	17298
TP08023002	15084	0501210719	14832	6C462A170CA	17394
Y03018404	15472	0501210721	15079	6C462B003AA	17393
Y03018809	17429	0501211047	15475	6C462B009AA	15358



TTT NO - PAGE INDEX

TTT NO	PAGE NO	TTT NO	PAGE NO	TTT NO	PAGE NO
13333	28	13490	11 - 14	14541	27
13432	19	13491	14	14547	14
13433	10 - 18 - 39	13493	15	14563	30
13435	19	13495	14	14564	56 - 69
13436	20	13496	36 - 58	14565	177
13437	23	13498	14	14566	177
13438	23	13501	14	14567	177
13439	49	13502	30	14574	176
13439	49	13503	51 - 67	14576	179
13440	44	13504	51	14577	179
13441	20	13505	30 - 50 - 66	14580	179
13442	22	13506	34 - 56 - 69	14581	179
13443	110	13507	11 - 14 - 29 - 50	14583	176
13444	110	13508	30 - 50 - 66	14584	178
13445	111	13509	35	14585	178
13446	111	13510	52	14586	179
13447	198	13511	52	14587	179
13448	196	13512	31	14597	86 - 100 - 154
13449	194	13513	31	14601	84
13450	194	13515	90	14602	84
13451	196	13516	182	14606	110
13452	196	13517	183	14613	111
13453	200	13518	180	14624	194
13454	198	13519	176	14630	195
13455	169	13873	21	14631	194
13456	177	14494	196 - 205	14640	84
13457	169	14507	10	14641	194
13458	205	14508	10	14642	154
13460	87 - 101	14509	10	14643	154
13461	88 - 102	14517	49	14646	89
13462	88	14518	49	14652	54
13465	113	14519	10	14654	311
13466	112	14520	10	14657	31 - 51
13467	89	14521	10	14660	32
13468	90 - 103	14522	10	14661	33
13470	53	14523	24	14662	197 - 206
13471	29 - 50 - 65	14524	10	14664	30
13472	29 - 50 - 66	14527	10	14669	15
13479	84	14528	20	14670	15 - 57 - 70
13480	153	14529	20	14676	35 - 58
13481	207	14530	10 - 19	14682	20
13482	203	14531	10 - 19	14683	10
13483	203 - 218	14533	27	14684	10
13484	205	14535	18	14689	84
13485	209 - 233	14536	20	14690	35
13486	87	14537	25	14690	35
13487	84	14539	46	14691	111
13489	14	14540	20	14693	20



TTT NO - PAGE INDEX

TTT NO	PAGE NO	TTT NO	PAGE NO	TTT NO	PAGE NO
14694	20	14805	200	14961	207
14701	11 - 31 - 51	14808	195	14966	159
14704	18	14809	195	14969	35
14705	10 - 18	14810	197 - 206	14970	317 - 318
14708	20	14811	134	14970	318
14709	20	14814	203	14971	313
14710	84	14815	134	14972	314
14711	152	14816	203	14973	314
14712	84	14817	194	14975	86
14713	24	14820	46	14977	26
14714	31	14820	46	14980	314
14715	52	14821	46	14989	35
14716	84	14828	155	14999	306
14717	112	14829	155	15001	213
14720	28	14831	304	15003	28
14721	28	14832	304	15004	49
14722	49	14835	152	15005	212
14723	49	14836	152	15006	11
14724	112	14839	158	15014	87 - 100
14727	26	14840	305	15022	205
14733	110	14841	304	15023	196
14734	155	14842	304	15025	169
14735	155	14844	89 - 102 - 115 - 157	15028	170
14738	23	14846	159	15029	26
14739	23	14847	159	15031	88 - 102
14740	85	14849	86	15040	11
14741	154	14850	89 - 102 - 115 - 157	15044	11
14744	176	14868	21	15050	21
14750	22 - 45 - 64	14869	134	15051	21
14751	22	14870	156	15053	320
14755	25	14871	156	15055	256 - 265
14758	196	14872	156	15056	256 - 264
14760	153	14881	90 - 103 - 157	15062	171
14763	84	14888	22 - 46	15063	255 - 262
14766	84	14890	154	15064	255 - 262
14769	84	14899	318	15065	255 - 262
14770	168	14900	55	15075	304
14774	178	14920	27 - 48	15076	304
14775	178	14922	312	15077	305
14779	85	14924	317	15078	305
14788	85	14925	11	15079	305
14794	14	14929	159	15080	305
14797	134	14930	98	15081	305
14798	134	14939	74	15082	306
14801	204	14941	45	15083	305
14802	204	14946	26	15084	306
14803	204	14952	25	15094	306
14804	204	14960	207	15095	306

TTT NO - PAGE INDEX

TTT NO	PAGE NO	TTT NO	PAGE NO	TTT NO	PAGE NO
15105	135 - 143	15573	98	15913	209
15356	306	15574	98	15914	135 - 143
15357	306	15576	86	15930	255 - 264
15358	316	15577	98	15931	255
15359	318	15583	98	15932	255 - 264
15361	318	15584	98	15934	206
15367	318	15588	99	15938	65
15405	84	15590	98	15939	65
15406	87 - 100	15591	98	15949	12
15410	214	15592	98	15951	15
15442	156	15599	27 - 48	15953	40
15445	111	15600	26	15954	40
15453	200	15620	91	15960	40
15454	198	15648	179	15961	40
15455	169	15649	179	15970	13
15456	177	15655	55	15982	12
15457	169	15656	26	15988	15
15460	98	15660	25	15990	16
15465	113	15667	33	15995	40
15467	89	15688	154	15996	12
15468	314	15691	111	15997	15
15469	314	15707	12	15998	40
15470	314	15707	112	15999	255
15471	314	15715	45 - 64	16010	99
15472	314	15717	112	16011	52
15473	314	15718	37	16012	34 - 57 - 69
15475	39	15724	112	16014	34 - 56 - 69
15476	314	15733	46 - 64	16015	34 - 56 - 69
15477	111	15759	256	16016	310
15479	318	15771	59 - 70	16017	315
15483	318	15780	36 - 58	16018	315
15484	26 - 39	15781	256	16020	101
15485	209 - 233	15782	24	16021	102
15490	85 - 100 - 154	15790	256 - 265	16022	102
15494	31	15818	213	16023	101
15495	111	15819	212	16025	304
15500	197 - 206	15840	104	16026	304
15502	52	15841	24	16027	305
15504	98	15842	47	16028	305
15510	115	15844	32	16029	305
15511	115	15849	256	16030	314
15512	30	15870	15	16031	318
15513	51	15887	12 - 37	16035	90 - 104
15514	51	15888	65	16038	88 - 101
15515	11 - 19	15905	195	16040	87
15516	182	15908	64	16041	158
15517	183	15909	66	16042	158
15533	168	15911	53	16045	136 - 144



TTT NO - PAGE INDEX

TTT NO	PAGE NO	TTT NO	PAGE NO	TTT NO	PAGE NO
16049	136	16442	157	16742	177
16050	236	16448	213	16744	177
16069	215	16449	215	16745	114 - 156
16078	158	16450	68	16746	114 - 156
16080	101	16453	41	16747	177
16100	136	16459	157	16769	67
16104	214	16468	121	16783	178
16105	136	16470	118	16785	37 - 59
16106	136	16471	18	16808	20 - 44
16144	57	16472	10	16809	36 - 58
16144	57	16473	135 - 143	16810	36 - 58
16179	139	16480	140	16811	36 - 59
16180	170	16490	140	16812	36 - 59
16181	170	16498	135 - 143	16813	40
16182	137	16499	89	16834	34 - 57 - 69
16183	137	16509	29 - 50 - 66	16835	35 - 57 - 70
16208	138	16519	173	16836	12
16209	138	16529	173	16837	86
16218	138	16530	215	16850	269
16219	138	16531	29 - 50 - 66	16860	93
16227	139 - 148	16538	212	16861	15
16228	136	16539	165	16862	90 - 104
16229	136	16549	164	16863	86 - 100 - 154
16237	34 - 56	16559	166	16870	92
16238	34 - 56	16567	29 - 50 - 66	16871	90 - 104 - 159
16239	34 - 56	16568	120	16875	160
16247	213	16579	29 - 50 - 66	16876	113
16248	213	16588	206	16877	113
16249	86 - 100	16609	215	16878	15
16257	215	16617	214	16910	257
16258	214	16618	160	16911	137
16289	91 - 105	16619	105	16912	137
16318	213	16620	91 - 116 - 158	16918	162
16370	119	16621	91 - 116 - 158	16919	163
16371	214	16622	156	16969	139 - 148
16372	214	16623	67	16980	95
16390	88	16639	21 - 44	16981	307
16407	88	16640	67	16982	307
16409	197	16641	181	16983	139 - 148
16419	214	16642	181	16984	152
16424	104	16658	44	16985	152
16425	52	16676	15 - 36 - 58 - 70	16986	176
16426	135 - 143	16677	161	16988	251 - 263
16427	169	16686	34 - 56 - 69	16989	251 - 262
16430	54	16731	36 - 58	16990	94
16431	135 - 143	16738	40	16991	104
16440	135 - 143	16740	215	16992	102
16441	157	16741	171	16993	212

TTT NO - PAGE INDEX

TTT NO	PAGE NO	TTT NO	PAGE NO	TTT NO	PAGE NO
16994	105	17250	208	17441	21
16995	106	17251	221	17442	23
16996	107	17260	208	17446	45
16997	251 - 262	17268	197	17447	180
16998	153	17269	206	17448	171
16999	153	17273	197	17480	236
17017	155	17274	172	17490	236
17018	180	17275	172	17503	237
17019	180	17276	210	17504	237
17020	155	17277	310	17505	74
17024	170	17283	171	17508	237
17049	136	17284	317	17516	237
17051	168	17285	317	17517	237
17052	168	17286	210	17536	236
17060	310	17297	311	17540	40
17061	218	17298	317	17542	236
17070	220	17299	317	17550	297
17080	220 - 226 - 233	17306	216	17590	117 - 180
17084	218	17307	315	17591	91
17088	219	17308	317	17603	114
17089	218 - 225	17309	317	17604	114
17090	219	17316	312	17607	117
17140	220 - 226 - 233	17317	312	17610	203 - 231
17141	59	17346	314	17611	238
17142	59	17347	314	17612	238
17143	201	17348	314	17641	35 - 58
17144	219 - 225 - 232	17349	314	17649	160
17148	219	17359	216	17662	35 - 57 - 70
17149	218	17366	219	17665	40
17150	199	17367	314	17666	41
17151	220	17368	160	17667	170
17153	201	17373	318	17680	57 - 70
17154	219	17377	56 - 69	17710	45
17159	220	17388	222	17712	113
17160	199	17389	222	17713	113
17161	221	17390	12	17723	117 - 180
17162	221	17392	318	17725	127
17198	221	17393	316	17727	310
17199	220	17394	316	17730	297
17205	115	17395	316	17737	160
17206	115	17396	117 - 170	17738	312
17210	117	17399	316	17740	126
17211	103	17409	316	17747	178
17212	117	17416	316	17750	126
17213	117	17428	318	17757	25 - 39
17230	103	17429	315	17758	25 - 39
17232	139	17437	315	17759	126
17249	90	17438	315	17760	126



TTT NO - PAGE INDEX

TTT NO	PAGE NO	TTT NO	PAGE NO	TTT NO	PAGE NO
17761	131	17952	132	18060	144
17770	128	17953	319	18064	273
17780	98	17954	319	18065	273
17783	126	17958	311	18067	273
17790	35 - 57	17958	313	18088	272
17792	29 - 50 - 65	17959	313	18089	272
17800	128	17960	122	18094	301
17803	127	17961	122	18099	103
17810	127	17964	317	18108	318
17811	127	17969	311	18150	275
17813	160	17970	311	18151	319
17814	311	17971	311	18152	319
17819	91	17971	313	18160	297
17820	127	17972	114	18164	319
17821	127	17973	114	18170	266
17822	105	17980	99	18171	131
17823	127	17981	99	18172	131
17840	49	17982	313	18180	142
17841	310	17983	313	18191	226
17844	128	17989	12 - 37 - 59 - 70	18193	139
17845	128	17996	100	18194	139
17850	65	17997	99	18195	142
17851	128	17998	99	18196	142
17852	128	17999	313	18197	147
17869	312	18001	68	18198	317
17878	128	18002	67	18198	319
17879	128	18010	274	18199	142
17888	112	18012	273	18200	257
17890	112	18013	273	18201	103
17891	39	18014	273	18202	147
17893	129	18019	264	18203	147
17894	129	18020	271	18204	106
17895	12 - 37 - 59 - 70	18021	274	18205	266
17899	237	18030	275	18206	316
17901	130	18031	304	18207	317
17902	130	18032	304	18208	316
17910	116	18033	271	18209	316
17911	116	18040	297	18210	224
17912	37	18050	272	18215	224
17936	129	18051	271	18220	224
17937	129	18052	271	18222	224
17938	37	18053	271	18224	224
17940	117	18054	272	18225	224
17943	130	18055	274	18235	226
17944	130	18056	272	18276	301
17948	319	18057	272	18290	226
17949	319	18058	274	18300	226
17951	132	18059	274	18305	225

TTT NO - PAGE INDEX

TTT NO	PAGE NO	TTT NO	PAGE NO	TTT NO	PAGE NO
18308	225	18599	268	18745	291
18310	225	18600	267	18747	64
18311	227	18601	267	18750	290
18313	227	18602	255 - 264 - 267	18755	290
18327	267	18603	267	18757	253
18393	227	18607	144	18761	149
18394	227	18608	144	18762	149
18400	254	18610	142	18765	253
18403	268	18611	249	18950	253
18404	268	18612	250	18951	260
18406	228	18615	249	18952	261
18407	228	18630	87 - 101	18953	265
18450	269	18634	86	18955	260
18471	251 - 263	18656	195	18960	254
18500	250 - 261	18660	290	18962	265
18505	262	18663	144	18970	252
18510	260	18664	144	18984	252
18519	265 - 268	18665	292	18985	252
18520	260	18668	292	18990	252
18521	261	18670	290	18993	12
18522	261	18675	292	18994	15
18525	250 - 261	18679	251 - 263	18995	253
18530	249	18680	291	18998	271
18534	146	18690	291	19000	13
18535	146	18691	248	19001	16
18538	250	18692	251 - 263	19002	38
18540	249	18694	256	19003	61
18541	267	18697	248	19004	38
18543	250	18698	145	19005	60
18545	248	18699	145	19006	61
18546	251	18700	168	19007	60
18548	146	18710	290	19008	71
18549	146	18711	290	19009	71
18550	248	18712	290	19010	298
18555	249	18713	290	19014	92
18556	256 - 264	18714	290	19015	93
18560	248	18718	252 - 263	19018	72
18561	144	18719	320	19019	90 - 104 - 159
18562	144	18720	291	19020	281
18572	134	18725	253	19021	281
18574	134	18727	253	19022	281
18583	229	18730	292	19023	281
18584	229	18733	252	19025	280
18592	268	18735	292	19030	282
18595	268	18738	250 - 261	19031	282
18596	267	18740	290	19033	283
18597	145	18743	147	19034	107
18598	145	18744	147	19035	282



TTT NO - PAGE INDEX

TTT NO	PAGE NO	TTT NO	PAGE NO	TTT NO	PAGE NO
19036	282	19220	284	19650	296
19037	282	19222	103	19660	299
19040	283	19229	300	19679	299
19041	94	19230	286	19700	233
19042	95	19233	131	19801	285
19044	281	19240	48	19802	285
19045	281	19245	274	19803	287
19046	281	19251	116	19804	287
19050	283	19252	116	19870	294
19057	283	19255	148	19872	294
19058	283	19270	148	19873	294
19059	283	19280	27 - 48	19874	234
19060	74	19300	280	19875	234
19068	164	19301	280	19885	300
19069	165	19302	280	19890	294
19070	281	19303	280	19892	294
19071	281	19304	280	19893	294
19072	162	19305	280	19895	300
19073	163	19306	280	19900	295
19075	74	19307	280	19902	295
19076	159	19308	280	19903	295
19077	298	19309	280	19905	300
19080	281	19310	280	19920	297
19084	118	19311	280	19935	297
19085	119	19312	280	19936	297
19086	34 - 56 - 69	19317	281	19940	295
19087	281	19330	280	19942	295
19088	120	19411	300	19943	295
19089	121	19416	299	19952	298
19090	166	19419	299	19953	298
19091	123	19430	232	19982	298
19092	123	19445	299	19983	298
19094	124	19450	232	19990	292
19095	124	19505	299	20185	76
19099	282	19510	232	20186	76
19101	184	19520	231	20190	76
19102	184	19528	299	20199	76
19103	185	19534	299	20200	76
19104	185	19535	296	20201	76
19105	186	19537	231	20202	77
19106	186	19541	231	20205	77
19110	284	19545	233	20208	77
19202	104 - 160	19550	232	20209	77
19209	47	19600	293	20210	77
19210	286	19610	300	20211	77
19211	47	19614	293	20212	78
19212	47	19615	293	20213	78
19213	47	19620	293	20214	78

TTT NO - PAGE INDEX

TTT NO	PAGE NO	TTT NO	PAGE NO	TTT NO	PAGE NO
20215	78	20285	277		
20216	78	20291	277		
20217	78	20292	277		
20218	79	20293	277		
20219	79	20305	188		
20220	79	20306	188		
20221	79	20307	189		
20222	79	20308	188		
20223	79	20309	189		
20224	80	20310	189		
20225	80	20311	190		
20226	80	20312	190		
20227	80	20315	190		
20228	80	20317	190		
20230	80	20318	190		
20231	81	20320	191		
20232	81	20323	191		
20233	81	20328	191		
20234	81	20335	188		
20235	81	20336	188		
20236	81	20338	188		
20237	82	20339	189		
20241	82	20340	189		
20242	82	20347	189		
20244	82	20348	190		
20245	82	20401	243		
20251	240	20402	243		
20252	240	20403	243		
20255	240	20410	243		
20256	240	20411	244		
20261	240	20412	244		
20262	240	20421	244		
20263	241	20422	244		
20264	241	20423	244		
20265	241	20424	244		
20266	241				
20267	241				
20268	241				
20271	242				
20272	242				
20273	242				
20274	242				
20275	242				
20276	242				
20277	243				
20278	243				
20281	277				
20282	277				





ttt-caliper.com

TTT OTOMOTIV IC ve DIS TIC. LTD. STI.

A : Fevzi Cakmak Mh. Busan 4 San. Sit. 10670 Sk. No:6 Karatay, Konya / TURKIYE
P : +90 332 345 28 59 • F : +90 332 345 23 92 • E : info@ttt-auto.com